

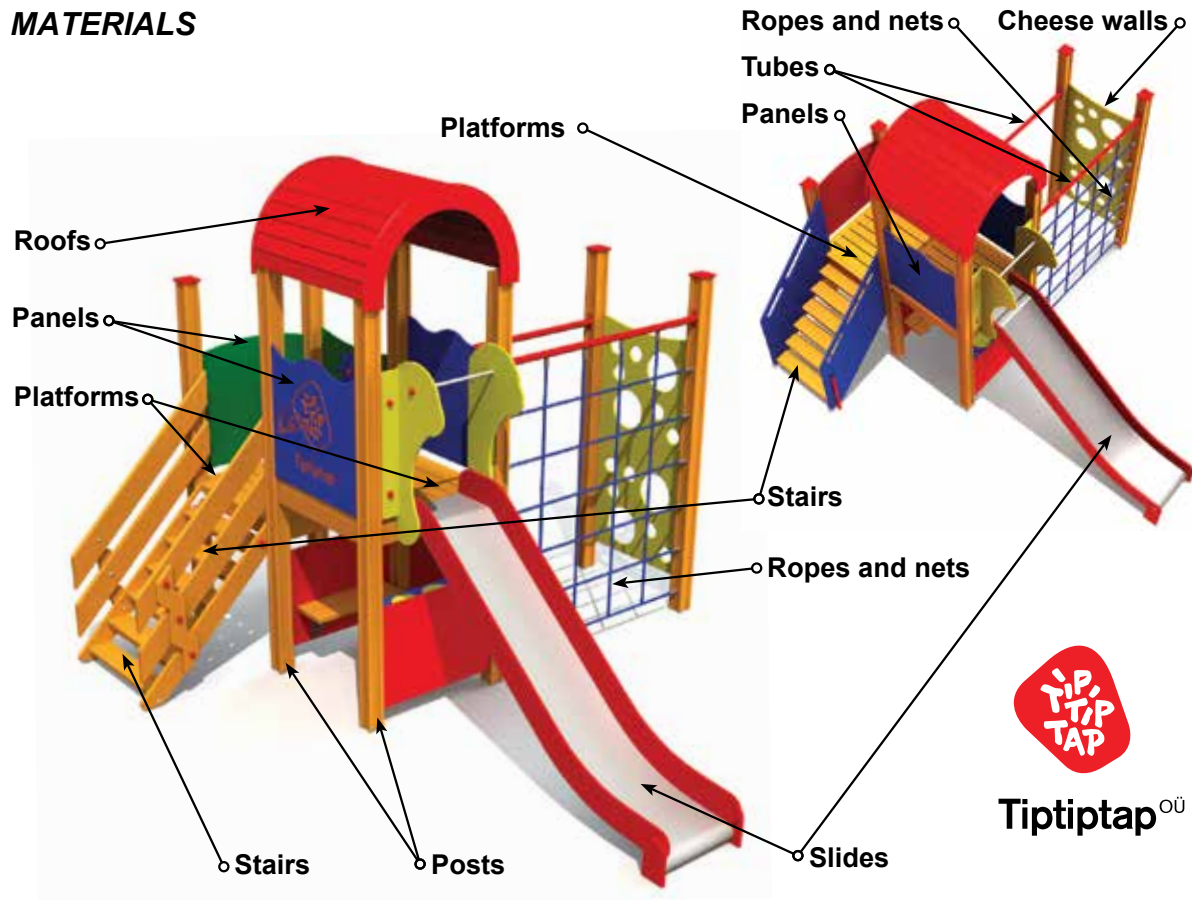


Tiptiptap^{oü}

COLOR OPTIONS:



MATERIALS



For Example:	LM202 PE	LM202 ALPE	LM202 MF
Posts	Laminated wood	Powder coated aluminium	Powder coated aluminium
Platforms	Laminated wood	Laminated wood	Plastic covered laminated wood
Panels	HDPE plastic	HDPE plastic	HDPE plastic
Climbing walls	HDPE plastic	HDPE plastic	HDPE plastic
Cheese walls	HDPE plastic	HDPE plastic	HDPE plastic
Roofs	HDPE plastic	HDPE plastic	HDPE plastic
Tubes	Zincd and powder coated steel	Zincd and powder coated steel	Zincd and powder coated steel
Ropes and nets	Six-strand PES cover braided steel ropes	Six-strand PES cover braided steel ropes	Six-strand PES cover braided steel ropes
Slides	Stainless steel and HDPE plastic	Stainless steel and HDPE plastic	Stainless steel and HDPE plastic
Stairs	Laminated wood	Laminated wood	Plastic covered laminated wood and HDPE plastic



Our products are tested by TÜV Süd Produkt Service GmbH, TÜV-certified and meet the standard EN 1176:2017

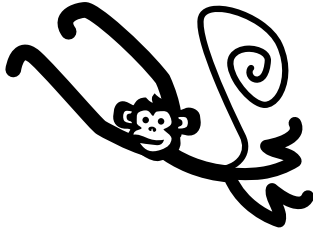
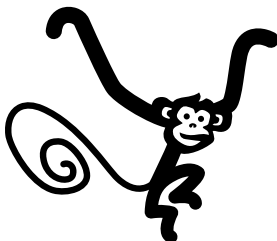


TABLE OF CONTENTS

	<i>OUR STORY</i>	4
NEW!	<i>OCTO</i>	5
NEW!	<i>URBAN</i>	11
	<i>AMAZON</i>	17
	<i>WATER WORLD</i>	31
	<i>PIRATE WORLD</i>	41
	<i>ZODIAC</i>	55
	<i>FRESH</i>	69
NEW!	<i>FOREST</i>	73
	<i>PLAY CENTRES</i>	79
	<i>CLIMBING FRAMES</i>	127
	<i>SWINGS</i>	145
	<i>SPRING SWINGS AND SEE-SAWS</i>	159
	<i>THEME PLAY</i>	169
	<i>SANDBOXES</i>	193
	<i>CAROUSELS</i>	199
	<i>BALANCING AND EXERCISE</i>	207
	<i>PLAY ELEMENTS</i>	225
	<i>SPORTS EQUIPMENT</i>	227
	<i>STREET WORKOUT</i>	235
	<i>OUTDOOR TRAINING EQUIPMENT</i>	239
	<i>OUTDOOR FURNITURE</i>	249
	<i>SKATEPARKS</i>	263



OUR STORY



OUR STORY

Estonians are used to think several steps ahead. So, 15 years ago, waiting for our daughter's birth my wife Kadri and I started to plan and design our own backyard playground. But the selection of homemade playgrounds was almost nonexistent. As a parent you do everything for your child, so I obtained the necessary tools and materials and made a start!

I consulted my wife, called in my friend for assistance and together we got into sub a swing that instead of one planned attraction we made two. Then we took the spare one to a fair where our homespun product immediately found a new owner. Besides this, we were lavished with praise and people were much interested in finding out the place where sub products could be bought. By the end of the day, we had decided to start the production! Tiptap was born.

SAFETY IS OUR PRIORITY

By the day our little daughter got on her feet, the company founded by her parents already stood on its own feet. Tiptap has grown in parallel with Marii's and her younger brother Rasmus jr's growth and both children are the sources of inspiration and experimenters of the family business products.

As safety is our priority I started the business by familiarising myself with the subject of playground safety and standards. All the Tiptap products are safe for children and meet the safety requirements. This is top priority for me as the head of the family and as the chief executive officer of the company.

TESTED IN FOUR SEASONS

Today Tiptap mainly exports its products to Europe but also to Asia, Africa and the Arab countries. The constantly expanding product series allows us to offer suitable attractions to the countries of different climate and culture. As we like to say, our products are tested in four seasons, because in Estonia we have windy springs, sunny summers, rainy autumns and snowy winters.

Estonian children also know the Tiptap playgrounds well as Tiptap is the signpost and market leader in our home country. It has been brought up with sub a re and love as if it were our own child. This is our success formula.

Rasmus Varunov
CEO of Tiptap



OCTO

OCTO

OCTO

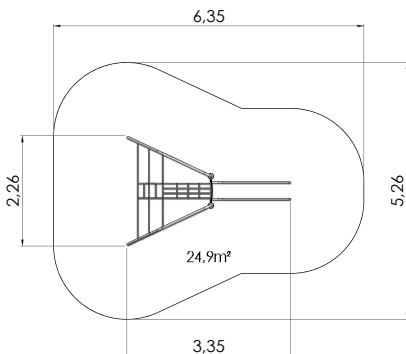
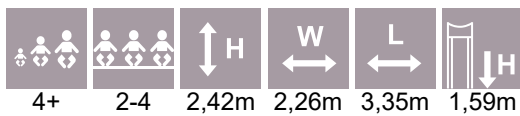
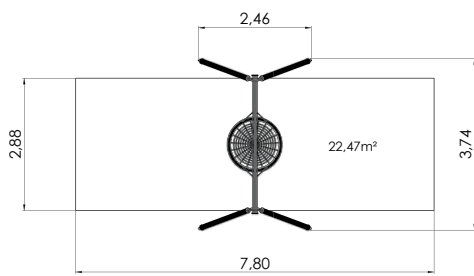
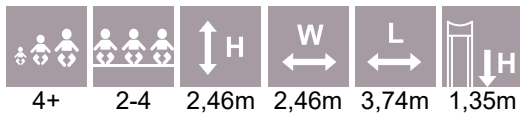
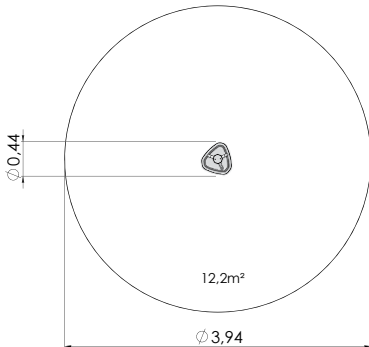
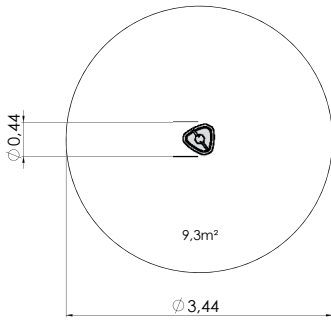
Are those constructions skyscrapers, towering proudly skywards? Or alluring city lights, which promise exciting adventures? No, not at all. They are the noteworthy OCTO series products of special design, providing older children and teenagers with challenging experiences.

The series has taken its name from the novel octagonal powder coated aluminium posts, which due to their solid grey colour are well suited even for the most modern environment. The acrylic glass panels only deepen the impression of glass furnished tall buildings. In reality, it all has to do with durable glass panels of the type known from hockey fields.

The OCTO series reminds us of a big city where a person considers himself to be able to succeed! Who is the oldest, who is the fastest? Who will be a leader, who dares to take risks? Young people do not doubt themselves a bit, they just come and experience, create and conquer. The products are intended to provide older children wishing to test themselves with developing activity and physical effort. The products of the series enable to test one's endurance, coordination, balance and also courage. At the same time, the attractions ensure safe recreation and joy of playing.

The product selection of the series of novel design is constantly widening. It is possible to select big and powerful megacomplexes, different climbing frames, spinners, shakers, swing constructions etc. So it will be possible to create a suitable playground in different environments, bringing young people together, providing them with activity proper for their age, physical effort and joy of each small win. A great new meeting place was born? Why not!





OCT001 SPINNER



OCT003 SHAKER



Swing OCTO 2 seats (without seats)

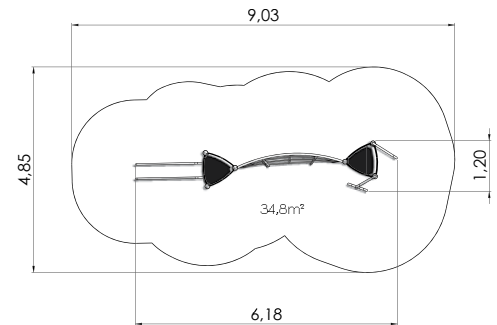
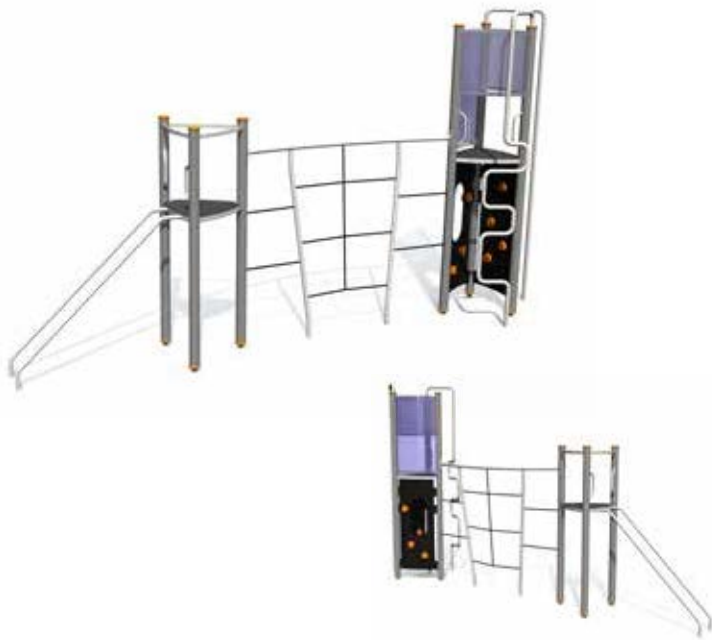


OCT100 Climbing frame

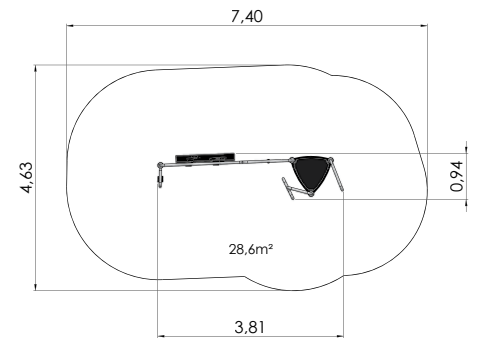
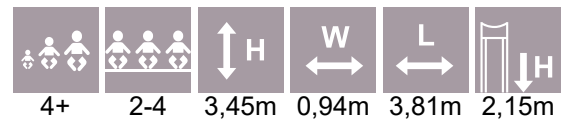


OCTO

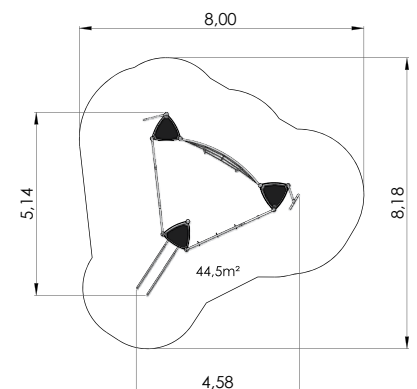
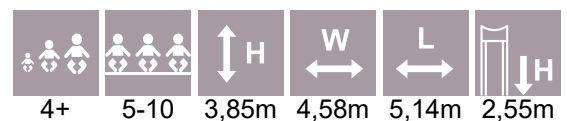
OCT101 Climbing frame



OCT102 Climbing frame



OCT103 Climbing complex



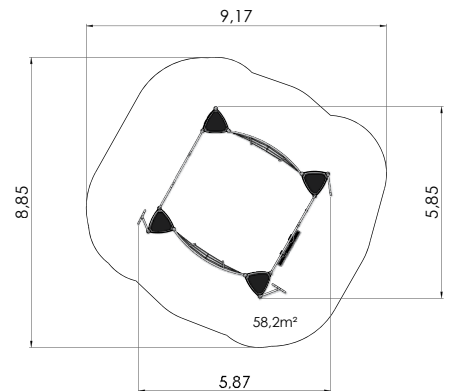


OCTO

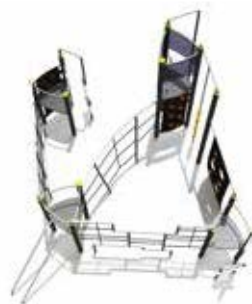
OCT104 Climbing complex



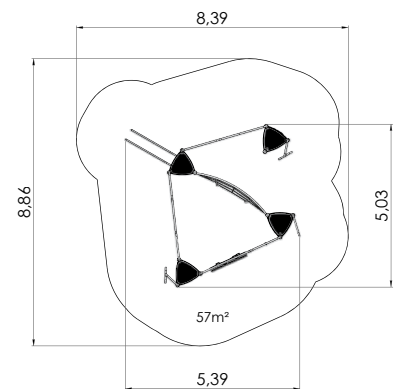
4+	6-12	3,85m	5,85m	5,87m	2,55m



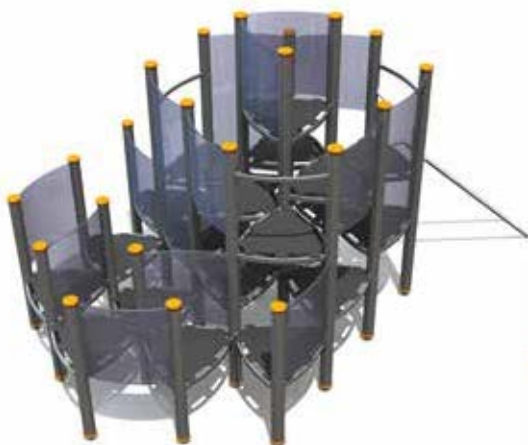
OCT106 Climbing complex



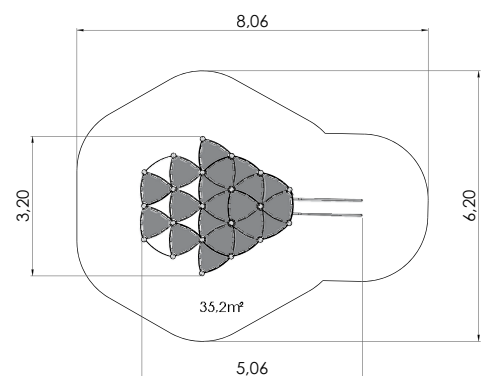
4+	6-12	3,85m	5,03m	5,39m	2,55m



OCT300 Labyrinth



4+	10-15	2,86m	3,20m	5,06m	1,00m





URBAN

URBAN

URBAN

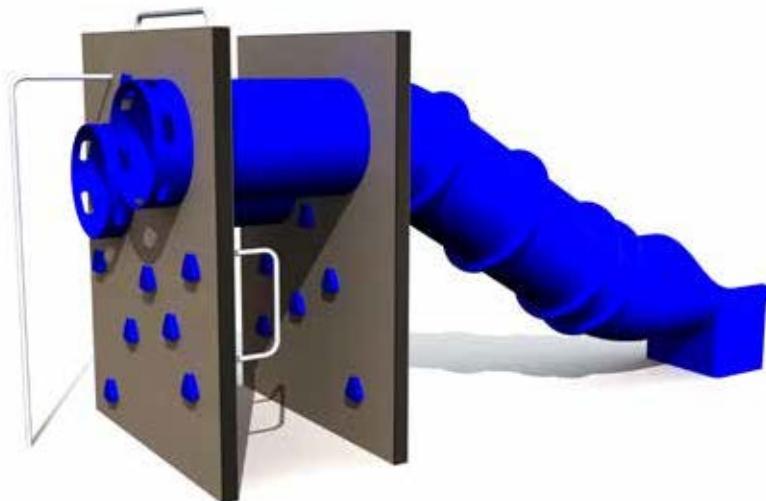
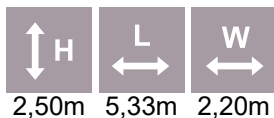
The desire to create is hidden in each person's nature. To aim at something and to prove oneself. To show that the goals are achievable. Overcoming all the obstacles and moving boundaries. We are sure of ourselves because we are young. And it's just us the prosperous future belongs to.

The new product line URBAN impresses with its powerful appearance. One gets the feeling of confronting something powerful and eternal. Indeed, the concrete-like heavy looking material is vandal-proof and extremely durable. You will be convinced immediately after setting a challenge to try yourself. The different labyrinths assembled from modules make one feel welcome and able to surmount obstacles. Come and demonstrate your skill!

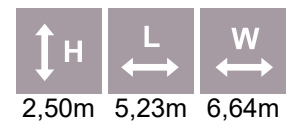
The urban product line offers everything searched and expected by young people. They can demonstrate their strength and skill, quickness and invention, spirit and creativity. Grey colour tones refer to graffiti. Is this what we are expecting? The modern urbanist design addresses both the admirers of modern architecture and the wildest artistic souls.

The attractions of the URBAN product line are easily installable. Powerful appearance hides high quality materials which combined with reinforced concrete and metal ensure the best durability. Be the cities small or large – wherever there is URBAN, there are the young.




CON101

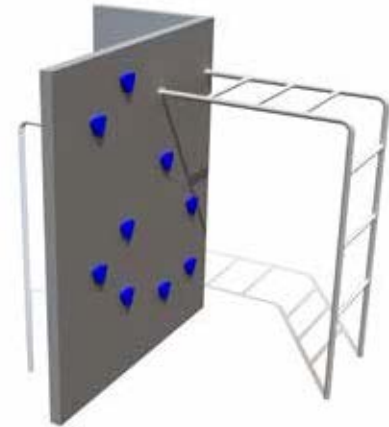


CON105






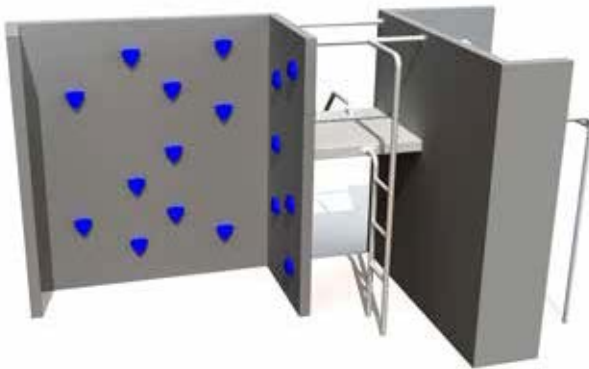
CON201

 H	 L	 W
2,80m	2,38m	2,82m






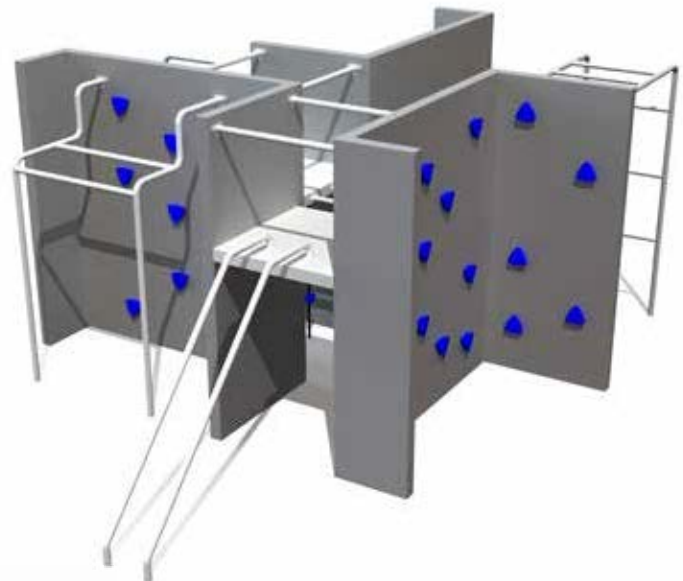
CON202

 H	 L	 W
2,50m	4,55m	4,05m






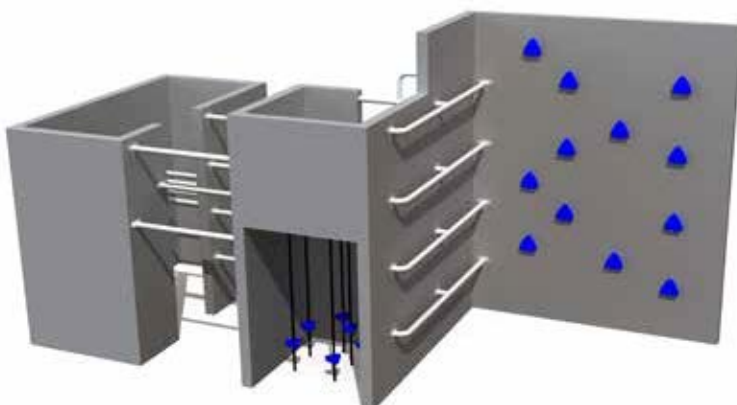
CON203

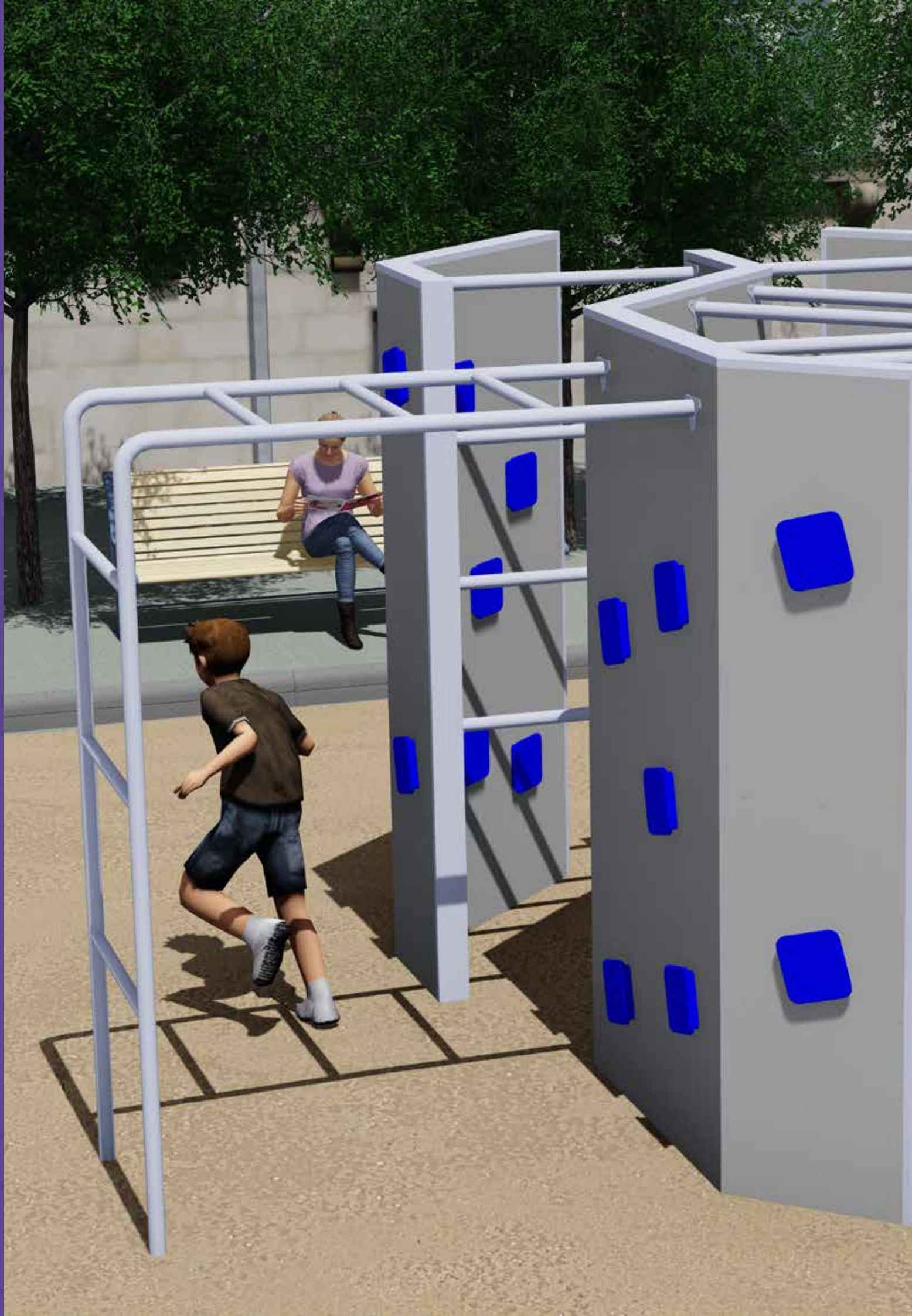
 H	 L	 W
2,50m	6,27m	4,57m

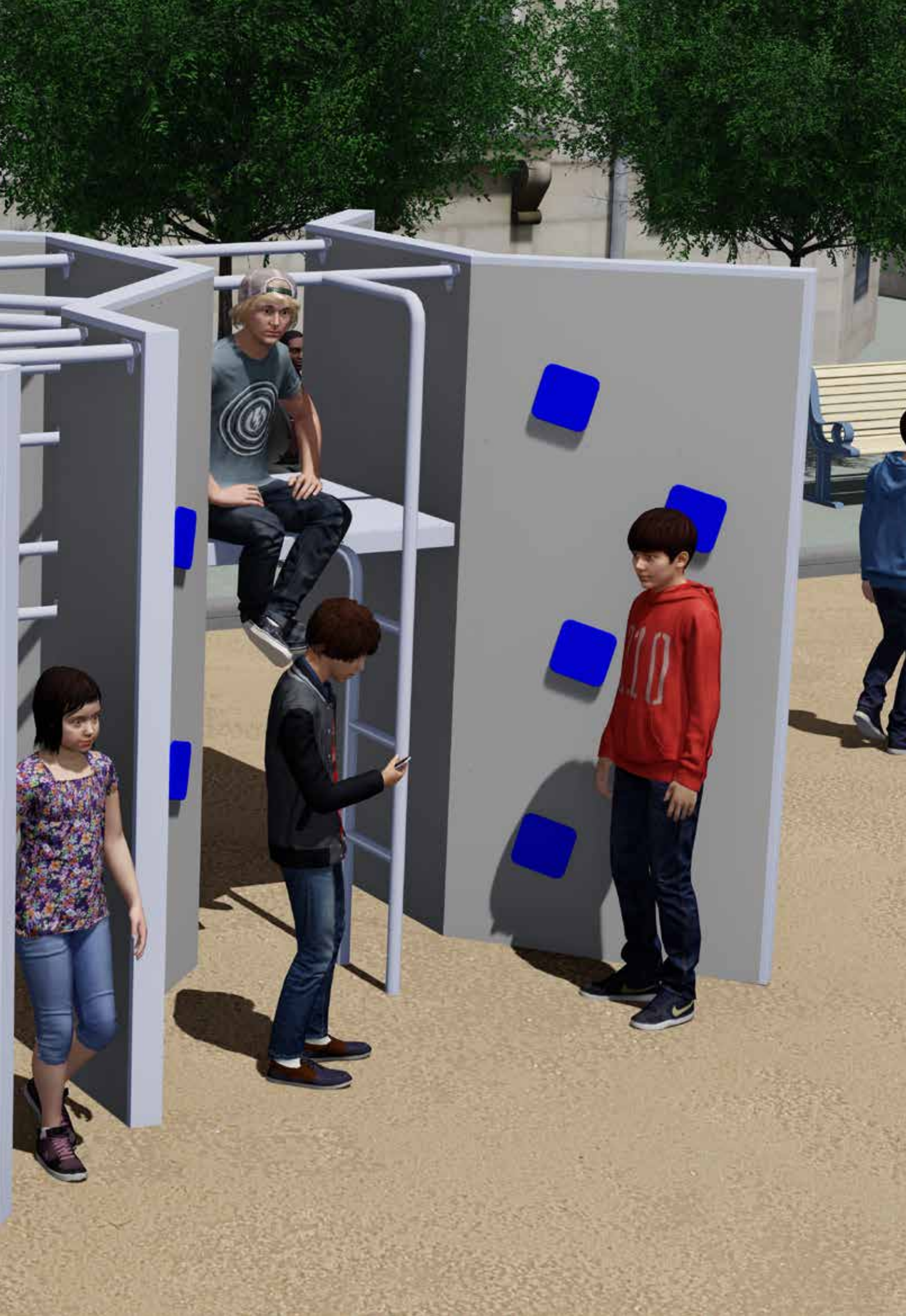


CON204

 H	 L	 W
2,80m	5,66m	2,38m






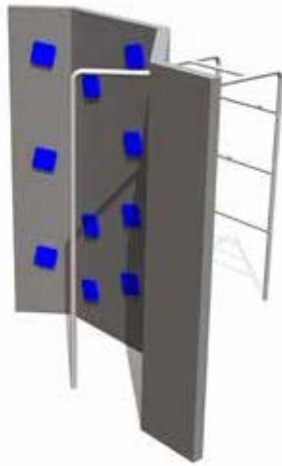







URBAN

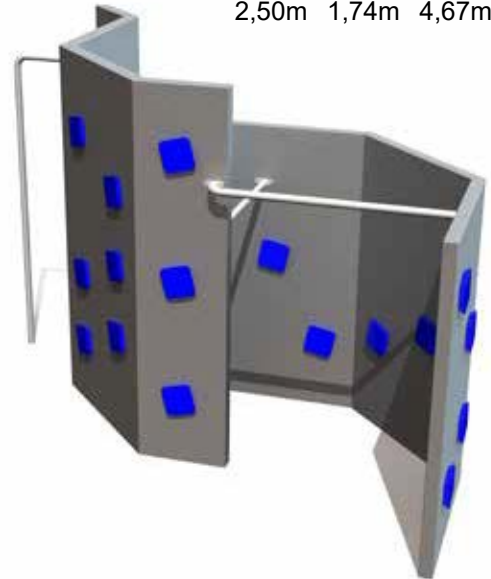
CON301

 H	 L	 W
2,80m	2,56m	4,21m






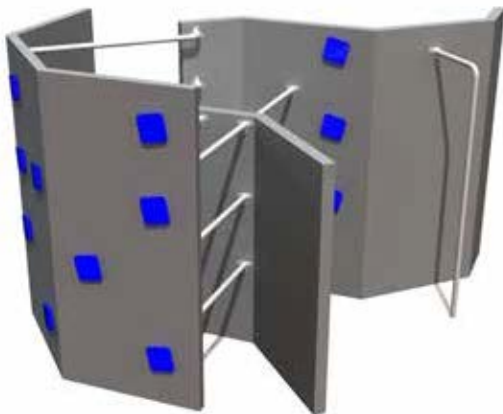
CON302

 H	 L	 W
2,50m	1,74m	4,67m



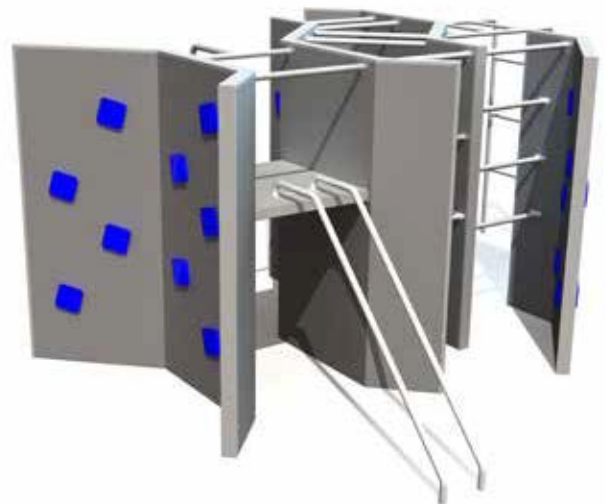
CON303

 H	 L	 W
2,50m	4,43m	3,25m





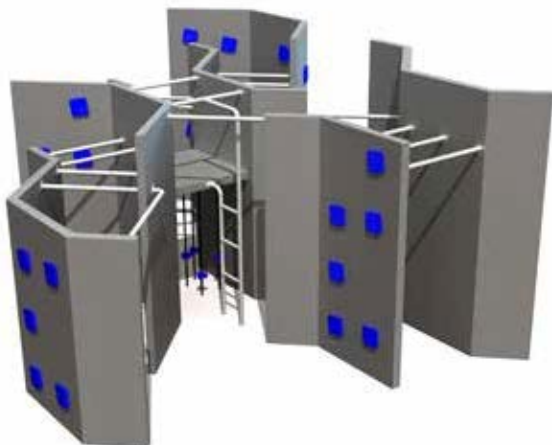
CON304

 H	 L	 W
2,50m	5,54m	4,78m



CON305

 H	 L	 W
2,80m	5,10m	6,54m



AMAZON

AMAZON



AMAZON

This product range inspired by the ornaments of nature people allows the children to embody brave little monkeys who fearlessly take on new challenges. The Amazon adventure track develops the sense of balance and rhythm in children, enhances their stamina, and generates pure joy every time they manage to exceed their limits.

This range based on the folklore and ornaments of nature people fits both urban and rural environments adding value to every park and yard. Safe and durable climbing nets, walls and ladders as well as swings, slide tunnels and tunnels invite small adventurers to test themselves. An adventure track tailored to the specific surroundings can be assembled from the different products in the Amazon range according to the customer's request.

Amazon is suitable from the age of 4, but it can offer a multitude of activities to much older children as well.

Materials and installation: The Amazon range is made of durable laminated timber and it has been awarded the relevant quality certificates. Posts of laminated timber decorated with different ornaments are joined together using the innovative mortise joint. The cross-section of the posts is 100mm x 236mm and the nets between them are made of extremely durable 16mm steel rope designed for climbing which is coated with polyester and features plastic joints. The climbing wall with climbing rocks is made of waterproof birch plywood. The products are connected to the ground using metal fittings. For the purpose of safety, it is recommended to use sand or rubber mats beneath the playground facilities.



AMK001

21



AML003

21



AM300 AMAZON seesaw

21



AM500 AMAZON spring swing

22



AM400 AMAZON carousel

22



AM004

22



AM001

23



AM010

27



AM101

30



AM002

23



AM011

27



AM003

23



AM012

27



AM005

26



AM007

28



AM008

26



AM013

28



AM009

26

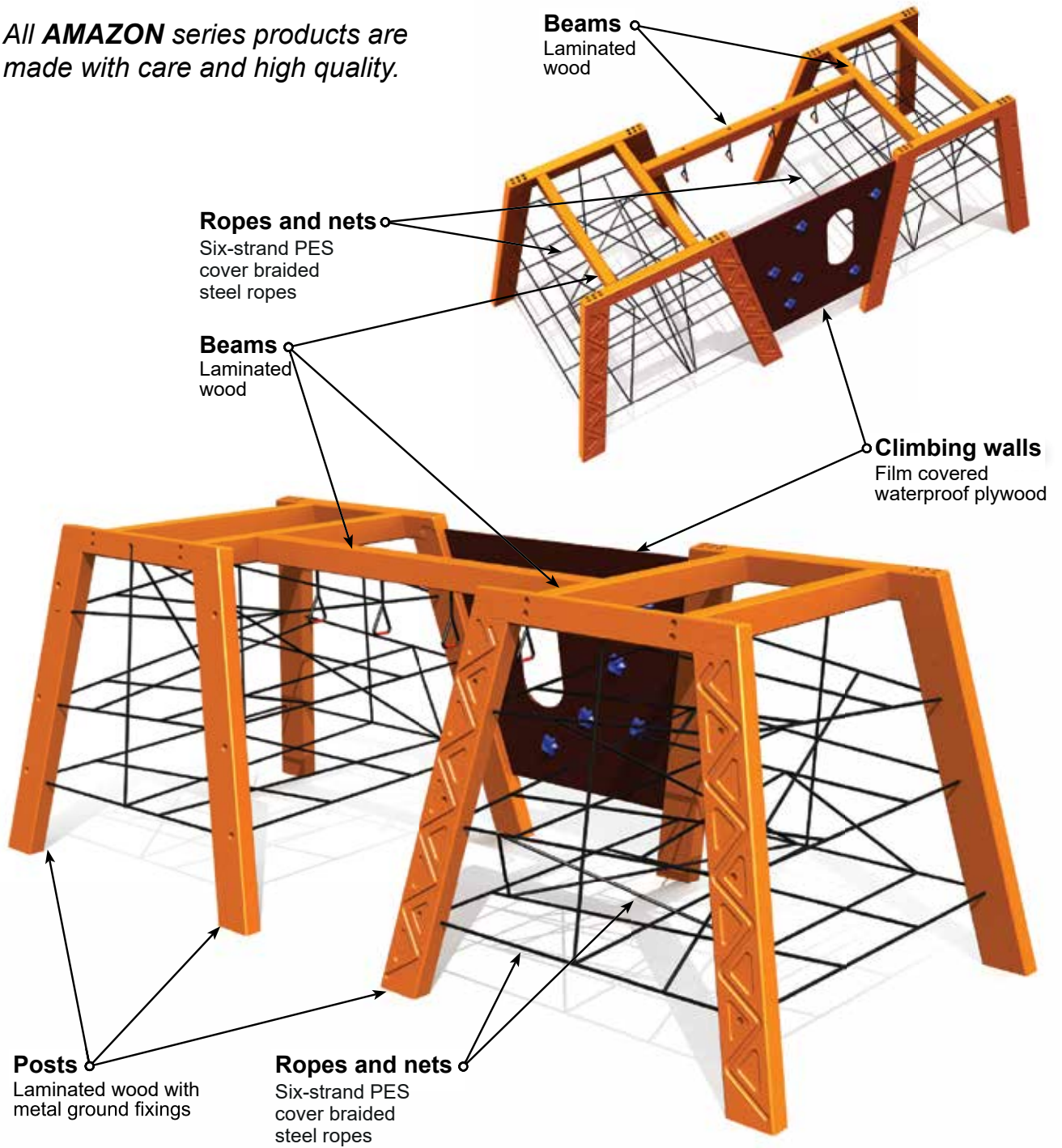


AM014

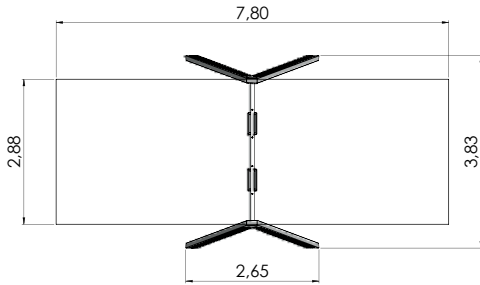
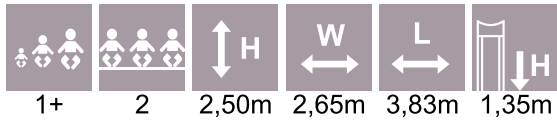
28



All **AMAZON** series products are made with care and high quality.

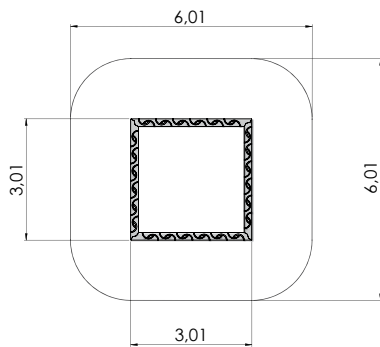
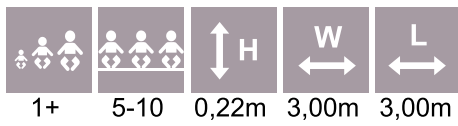


AMK001

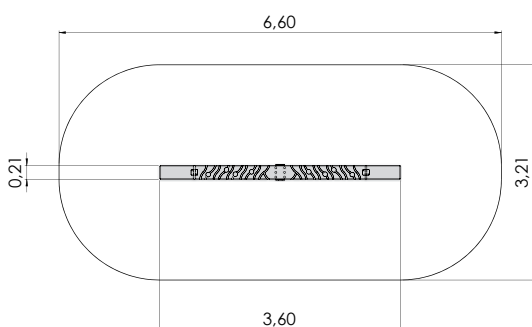


AMAZON

AML003

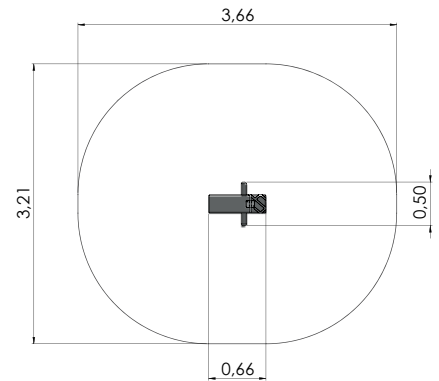
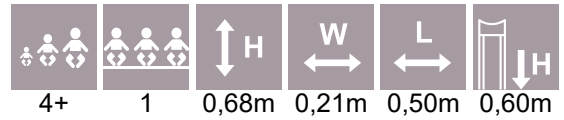


AM300 AMAZON seesaw

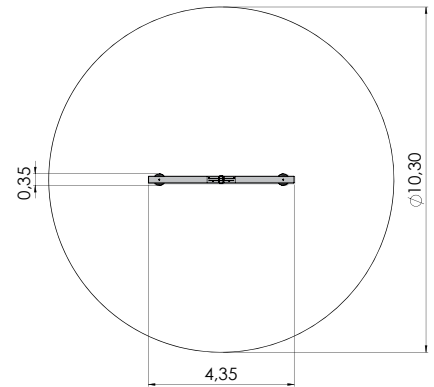
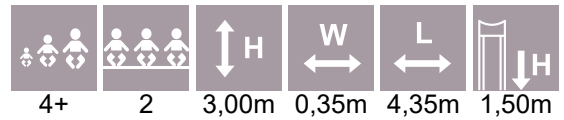




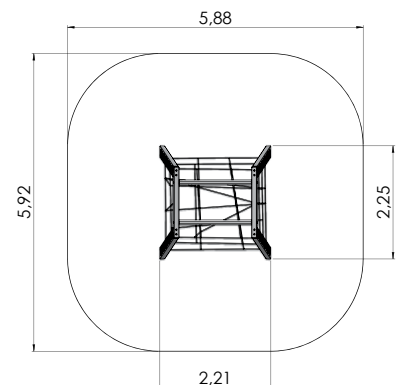
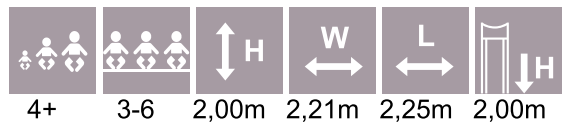
AM500 AMAZON spring swing



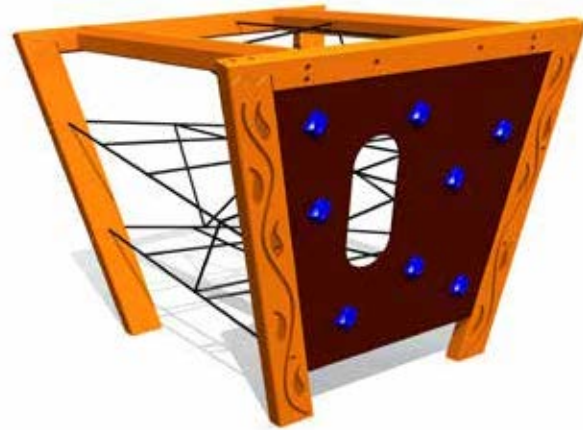
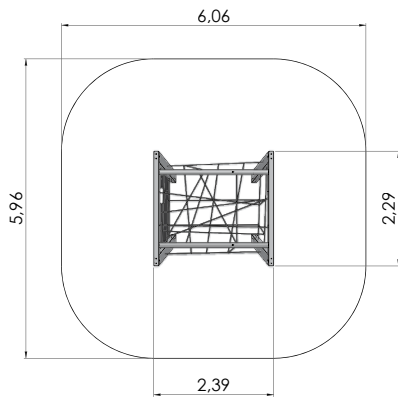
AM400 AMAZON a rousel



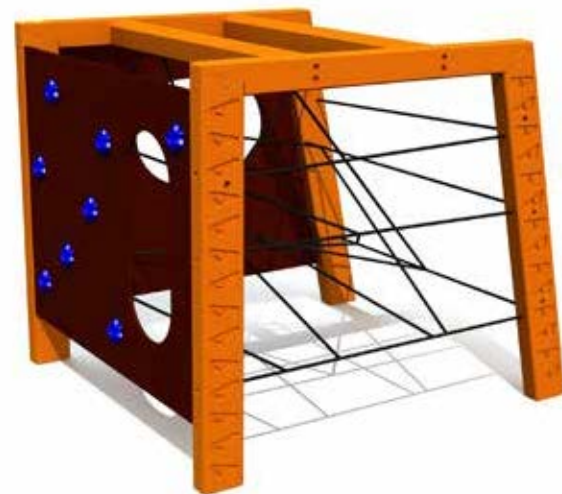
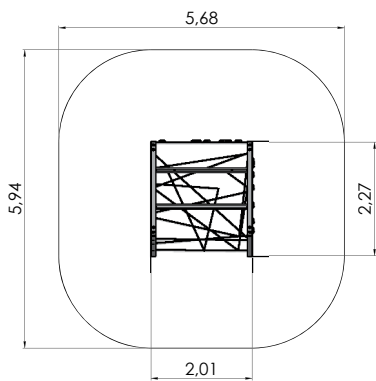
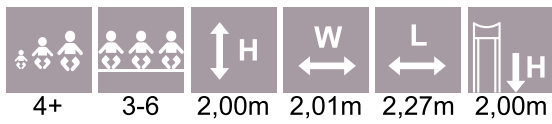
AM004



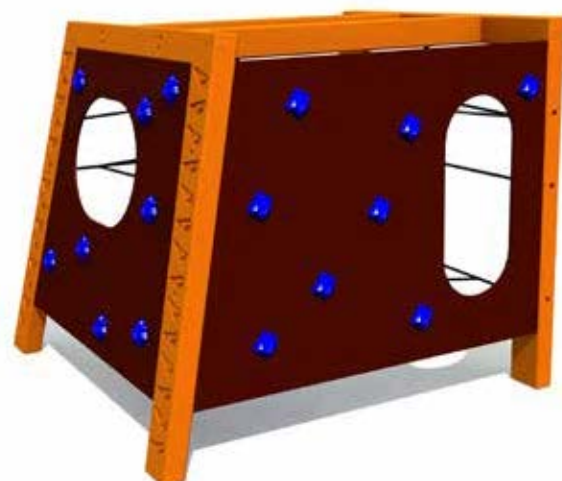
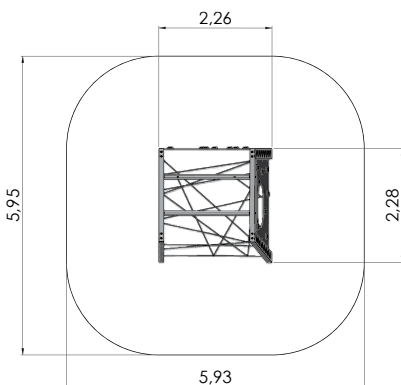
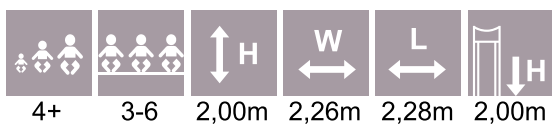
AM001



AM002



AM003

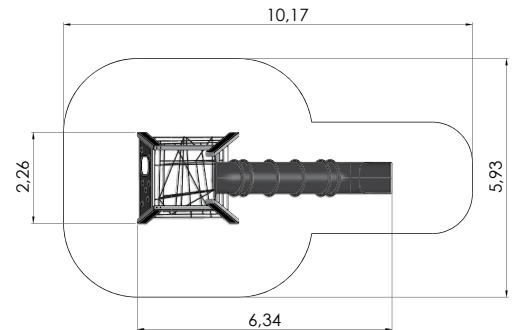
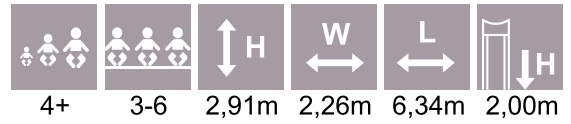




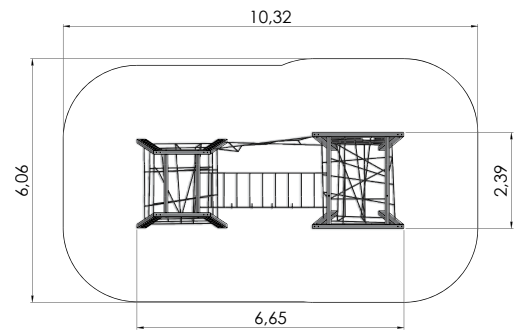




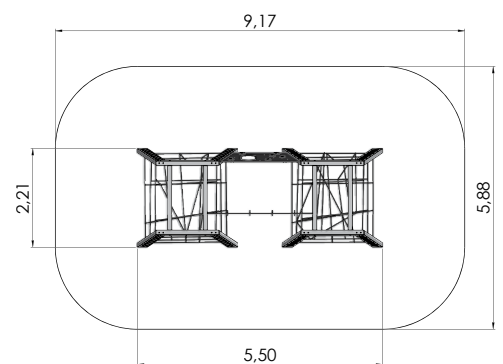
AM005



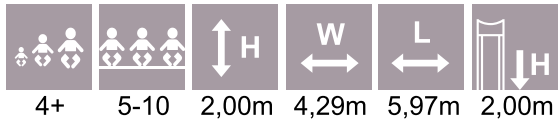
AM008



AM009

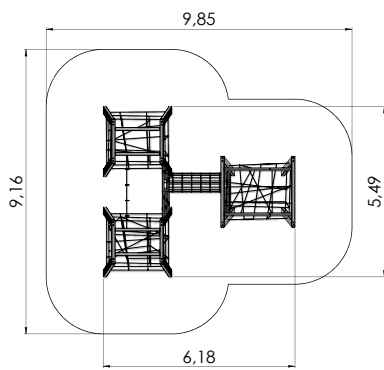
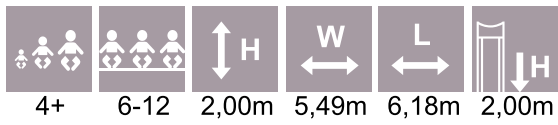


AM010

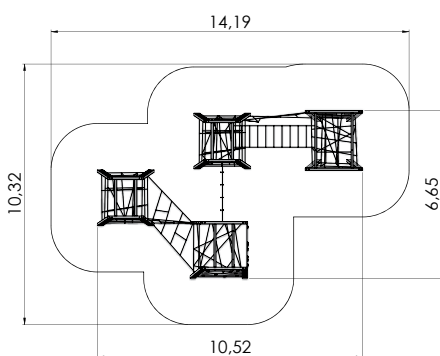
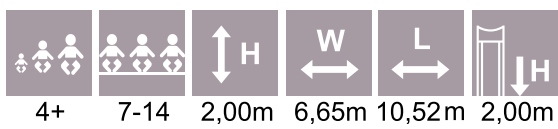


AMAZON

AM011

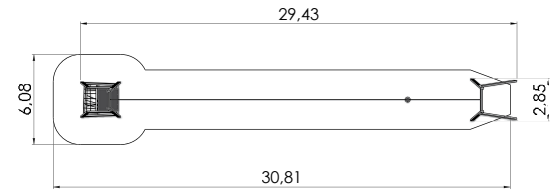
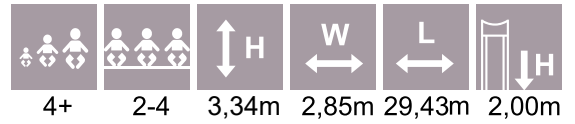


AM012

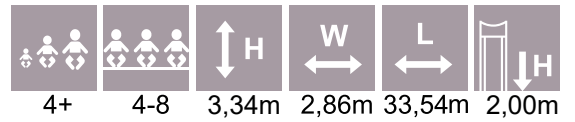




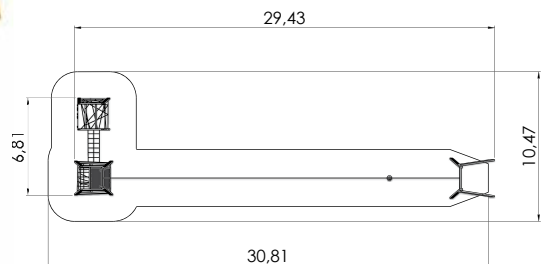
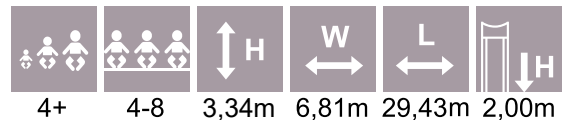
AM007



AM013



AM014





AMAZON

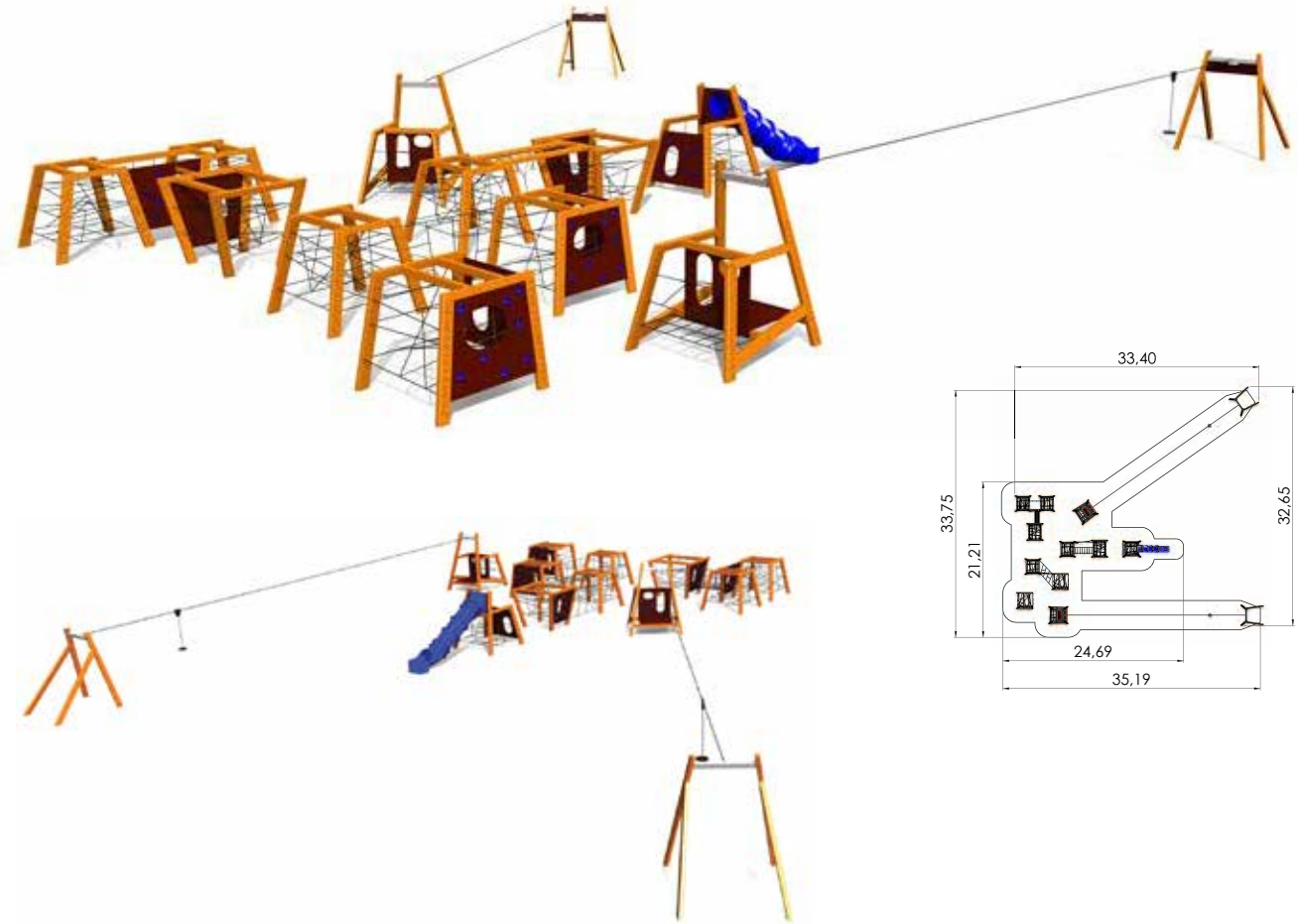
COLOR OPTIONS:



Amazon

AM101

4+	20-40	3,10m	32,65m	33,40m	2,00m



WATER WORLD

WATER
WORLD



WATER WORLD

This product range features a colourful and exciting underwater world. Just like the water world lures you with its mystery and beauty, these products invite children to undertake exciting exploration trips and test themselves by taking these new challenges. The underwater world is extremely diverse and the same kind of diversity is provided by the Water World range.

The sense of balance and three-dimensional movement characteristic to fish have given us ideas how to develop the sense of balance in children. The underwater life surrounding the coral reefs inspired us to create the same kind of attractive product range which no playful child could resist!

Climbing nets, walls, ladders and tracks of various level of difficulty are in bright colours and invite small adventurers to discover themselves through play. The range displays colourful fish and other aquatic creatures which make the products look lively and boost the children's fantasy!

Water World is suitable from the age of 4, but it can offer the joys of discovery and movement to much older children as well.

NEW! Water World series are now maintenance free (Maintenance free - MF)

Maintenance free products are made of aluminium posts, HDPE plastic panels and plastic covered platforms and stairs. Maintenance free products are super durable, weather- and vandal-proof, in vivid colours and have double warranty!



All Water World series products are maintenance-free (MF)



LM300 W MF Play Centre HAMMER

35



NW101 W MF Play Centre RAY

35



NW102 W MF Play Centre SHARK

36



NW201 W MF Play Centre TURTLE

36



NW202 W MF Play Centre DOLPHIN

36



NW103 W MF Play Centre PIKE

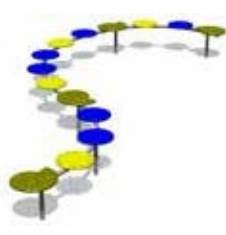
37

WATER WORLD

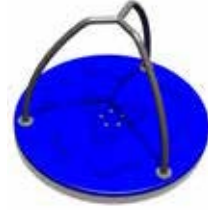
WATER
WORLD



NW210 W MF Play Centre CLOWNFISH 37



PVP10 W MF Spiral beam WATER SNAKE 39



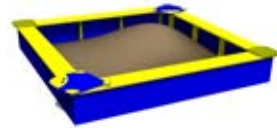
KM005 W MF Carousel TORNADO 40



K002 W MF Swing GUPPY 2 places 37



TKR001 W MF Balancing equipment COMPASS 39



LK20 W MF Sandbox - 2000x2000 40



K008 W MF Swing GUPPY 4 places 38



VLI44 W MF Spring swing FLOWER 39



K009 W MF Swing GUPPY 6 places 38



VLI50 W MF Spring swing DOCKY 39



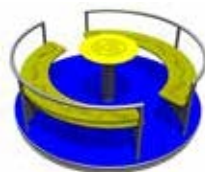
K106 W MF See-saw MUSSEL 38



KM012 W MF Carousel STARFISH 40



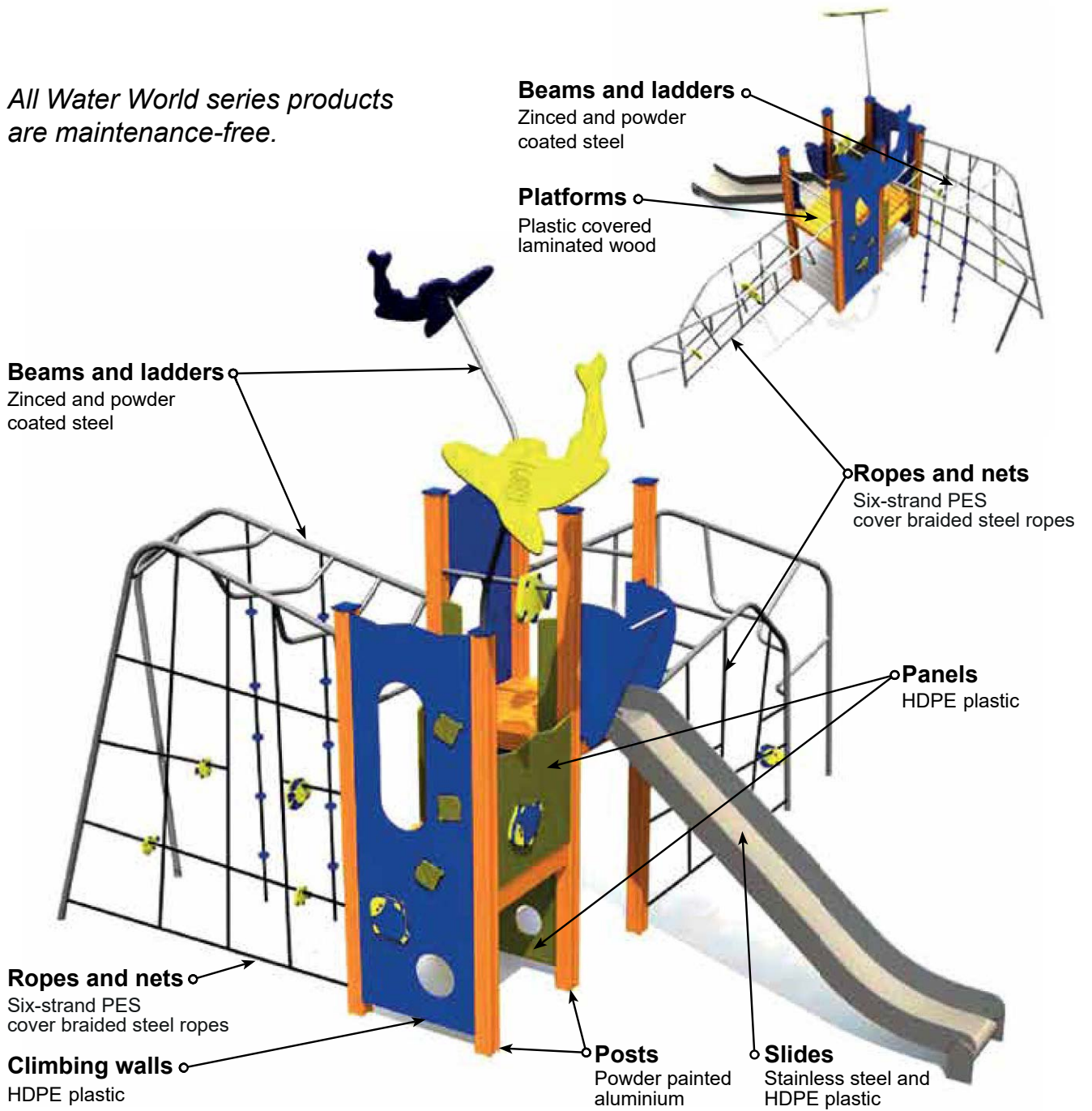
K200 W MF Stand on see-saw PRAWN 38



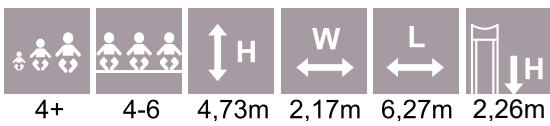
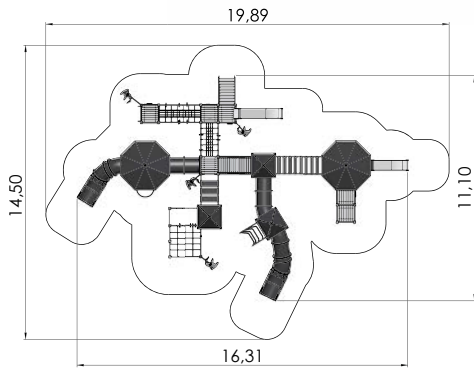
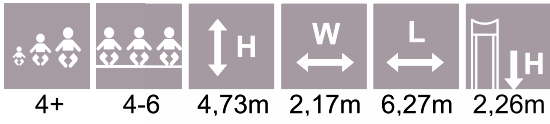
KM001 W MF Carousel WATER WHEEL 40



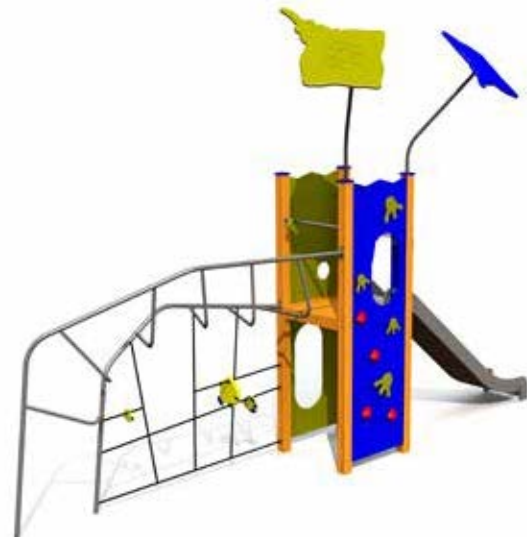
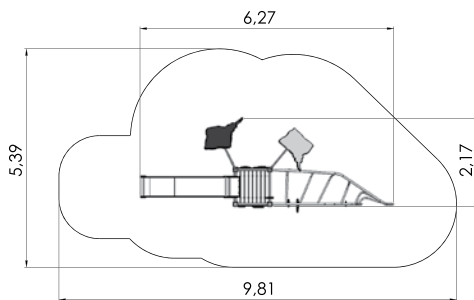
All Water World series products are maintenance-free.



LM300 W MF Play Centre HAMMER

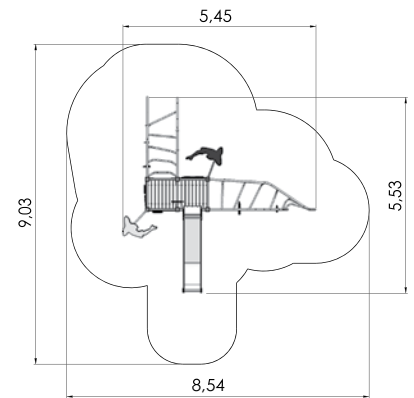
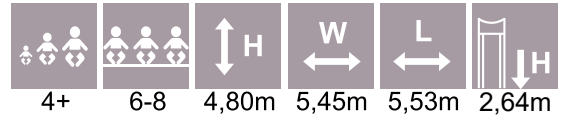


NW101 W MF Play Centre RAY

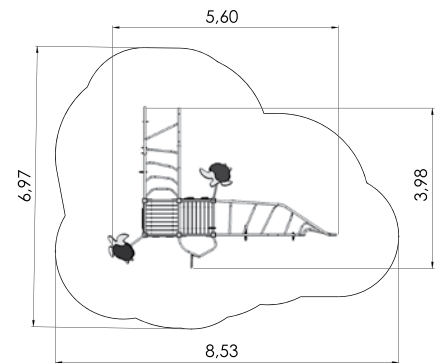
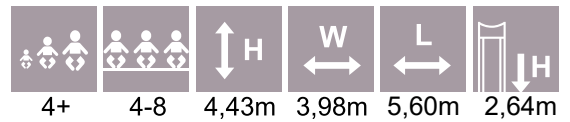




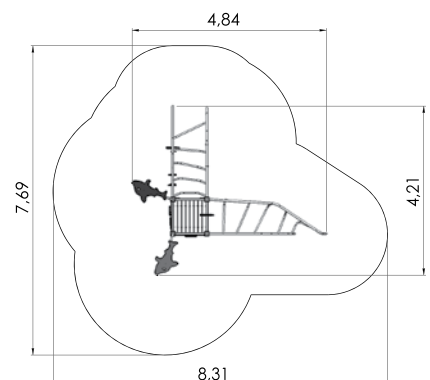
NW102 W MF Play Centre SHARK

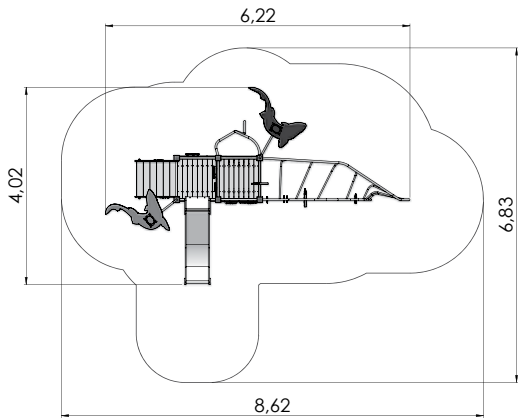
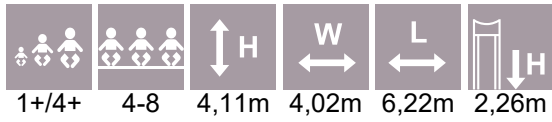


NW201 W MF Play Centre TURTLE

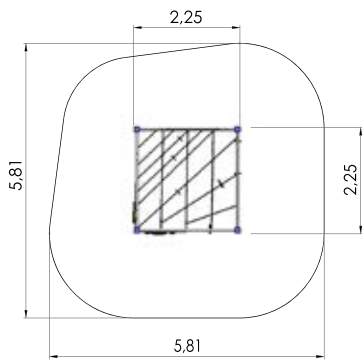
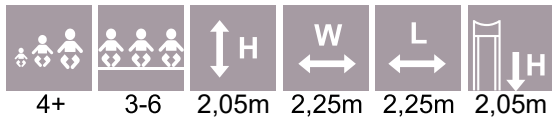


NW202 W MF Play Centre DOLPHIN

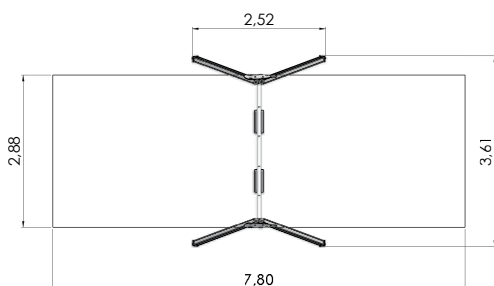
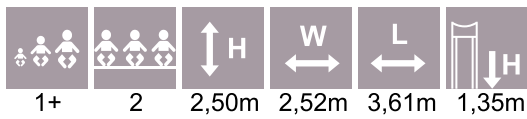
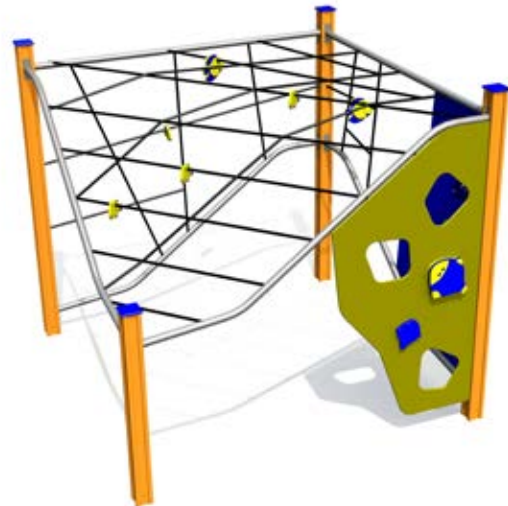




NW103 W MF Play Centre PIKE



NW210 W MF Play Centre CLOWNFISH

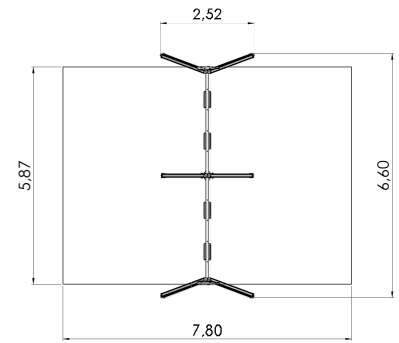
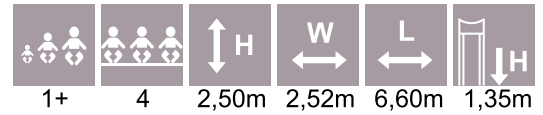


K002 W MF Swing GUPPY 2 places (without seats and fittings)

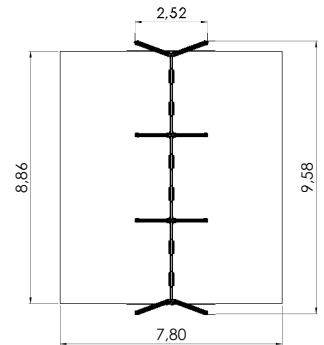




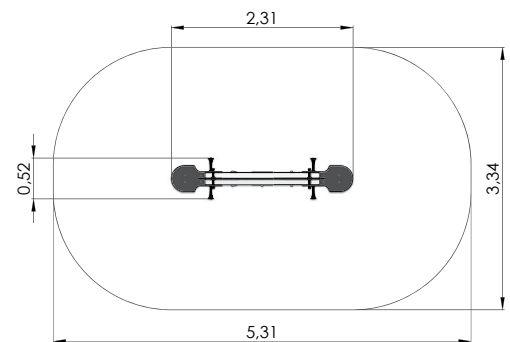
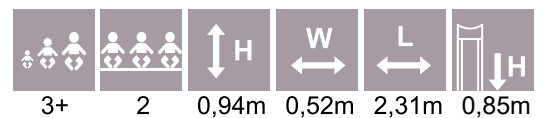
K008 W MF Swing GUPPY 4 plaes
(without seats and fittings)



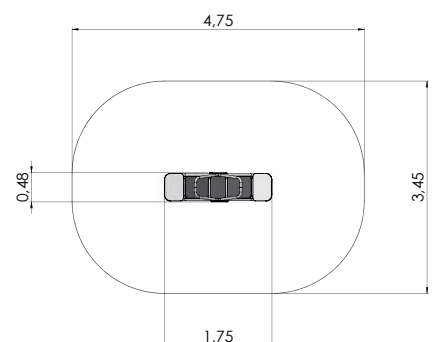
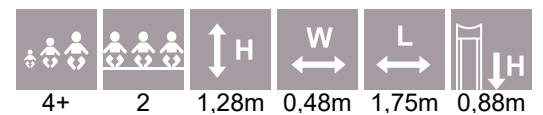
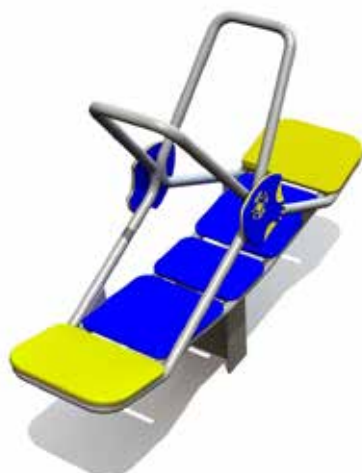
K009 W MF Swing GUPPY 6 plaes
(without seats and fittings)



K106 W MF See-saw MUSSEL

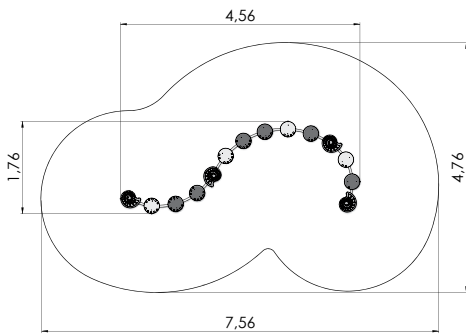


K200 W MF Stand on see-saw PRAWN

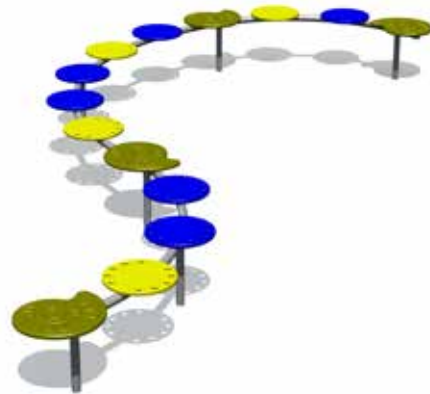


WATER WORLD

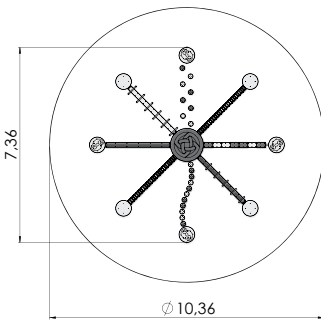
3+	14	0,35m	1,76m	4,56m	0,35m



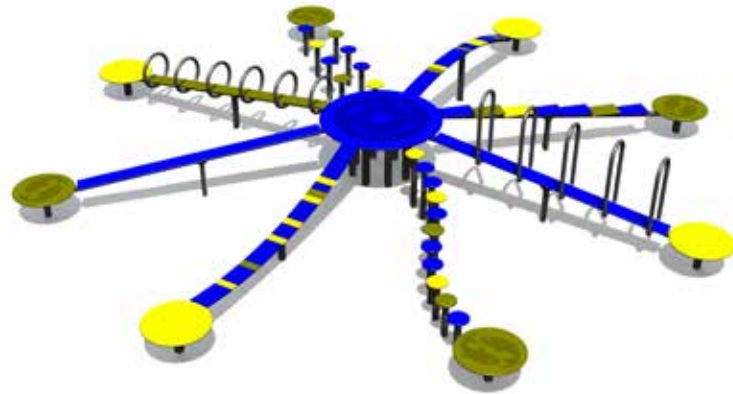
PVP10 W MF Spiral beam WATER SNAKE



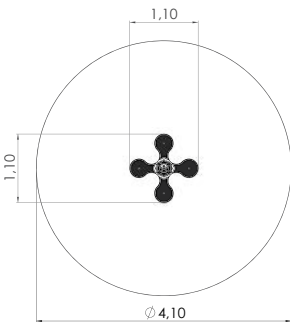
4+	8-16	1,3m	7,36m	7,36m	0,57m



TKR001 W MF Balance ng equipment COMPASS



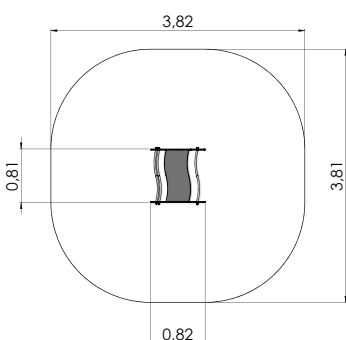
2+	4	0,76m	1,10m	1,10m	0,70m



VLI44 W MF Spring swing FLOWER



2+	2	0,79m	0,81m	0,82m	0,46m

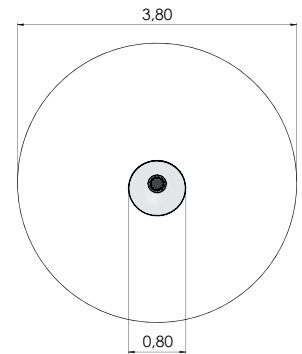
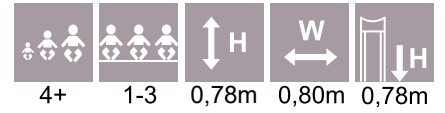


VLI50 W MF Spring swing DOCKY

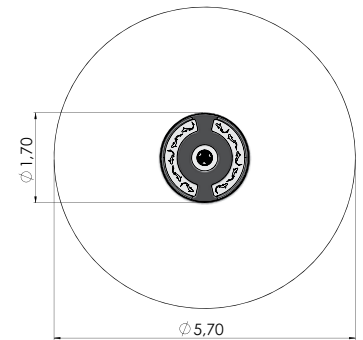
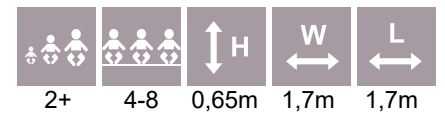
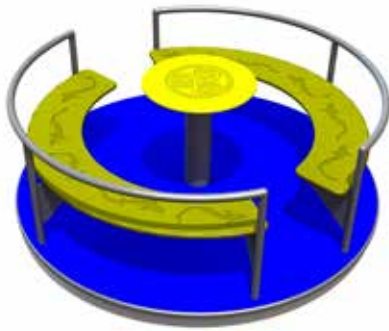




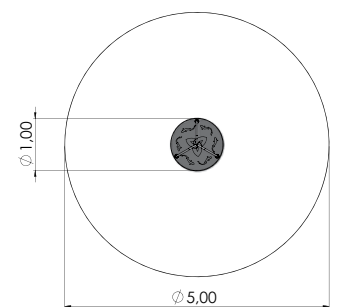
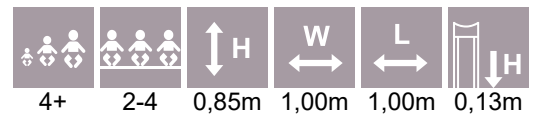
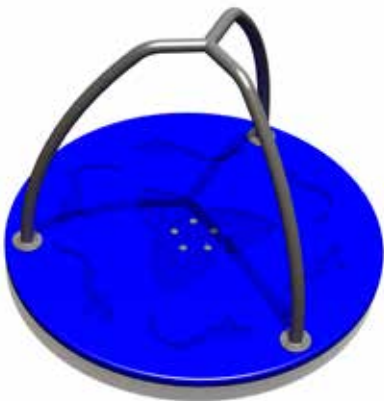
KM012 W MF Carousel STARFISH



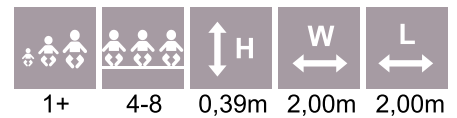
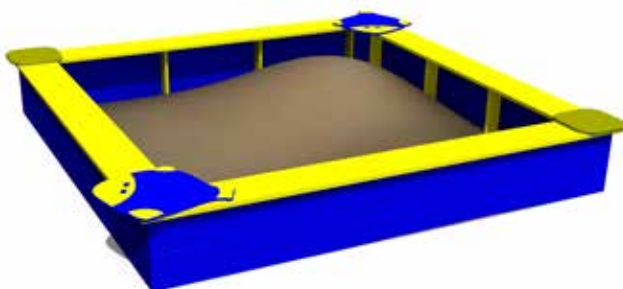
KM001 W MF Carousel WATER WHEEL



KM005 W MF Carousel TORNADO



LK20 W MF Sandbox - 2000x 000



PIRATE WORLD

PIRATE
WORLD



PIRATE WORLD

Defying wind and storm, disregarding treacherous rocks and dangers, searching for major treasures – this is how some famous pirates who still inspire books or movies have secured their place in history. Our Pirate World range features those thrilling stories and allows every small daredevil to feel just like a fearless captain of a pirate ship!

The products in the Pirate World range consist of climbing nets, tracks, walls and ladders which develop stamina and sense of balance and where the small pirates boldly overcome all obstacles in their way. Racing down the slides, a true pirate captain defies winds and storms with the skull flag always proudly fluttering above his/her head! Playgrounds of various level of difficulty come in bright colours to support the concept of the Pirate World. Fearless pirate captains on our playgrounds always sail before the wind – you're welcome to step on board!



NW102 P POWER

45



NW201 P COOPER

45



NW202 P COX

46



NW210 P MORGAN

46



MM116 P Pirate ship BLACK DRAGON

46



NW101 P GOLDSMITH

45



MM177 P Playship AMITY

47

PIRATE WORLD

PIRATE
WORLD



MM126 P Pirate ship RISING SUN 47



MM119 P Pirate ship NIGHT RAMBLER 51



VLI52 P Spring swing BOWL 53



MM127 P Pirate ship FANCY 47



MM118 P Playship BLACK JOKE 51



VLI44 P Spring swing BLACK 53



LM006-1 P Play Centre ROCKING HORSE 50



RS310 P Play Centre PIRATE DAVIS 52



TKR001 P Balancing equipment PIRATE COMPASS 53



MM128 P Pirate ship JOHN VAAGE (wide slide) 50



K200 P MF Stand on see-saw HOOK 52



K002 P Swing DUCAT 2 places 54



MM128-2 P Pirate ship ALEXANDER VAAGE 50



KM005 P Carousel SWORD 52



K008 P Swing DUCAT 4 places 54



LM301 P Pirate ship LIBERTY 51



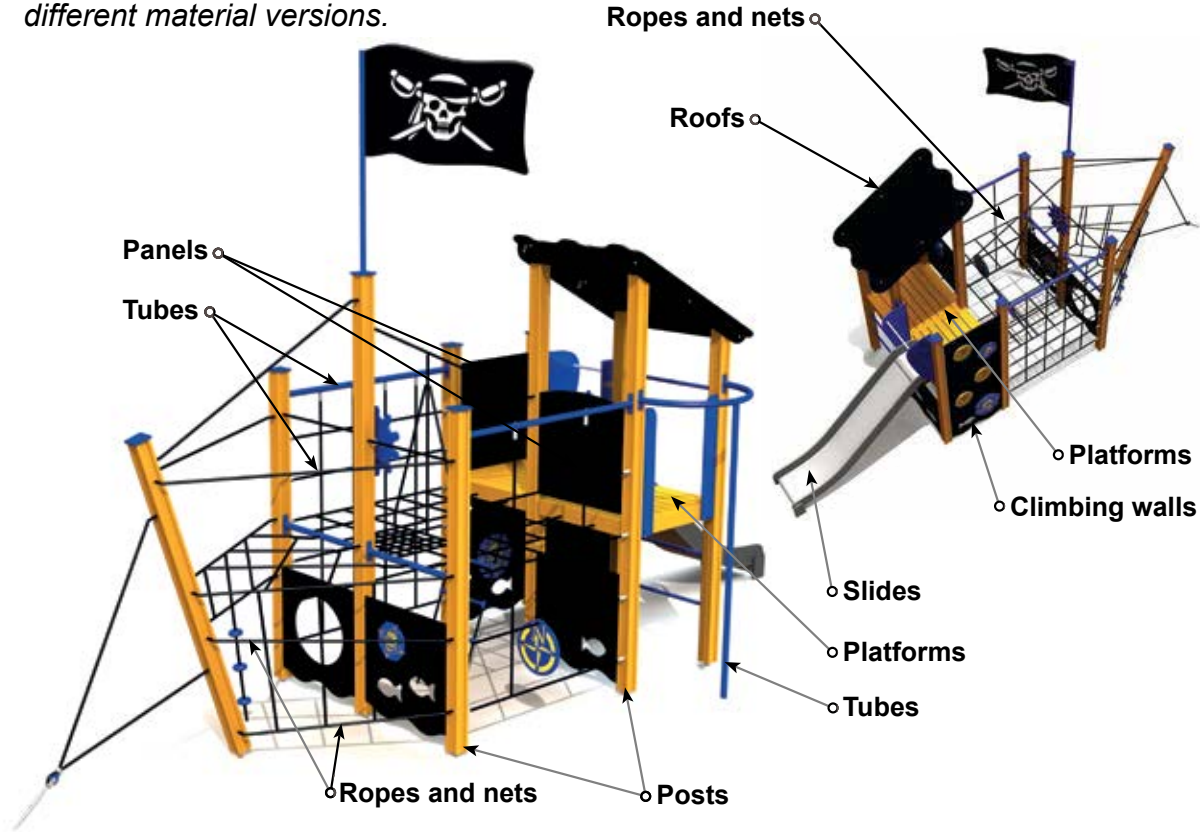
KM001 P Carousel DOUBLOON 53



K009 P Swing DUCAT 6 places 54



All **PIRATE WORLD** series products are available in 5 different material versions.

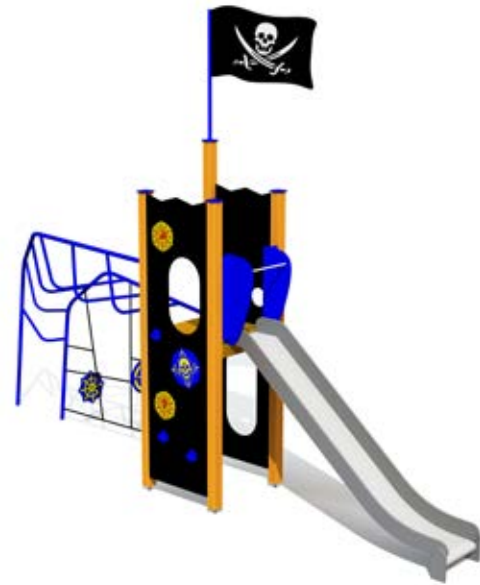
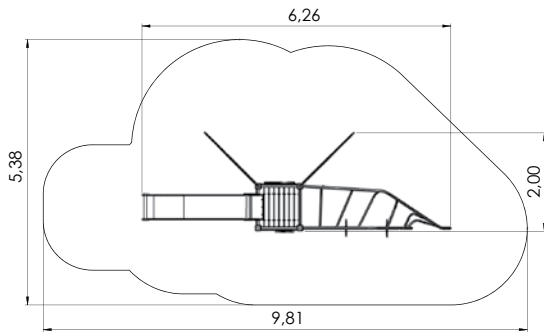
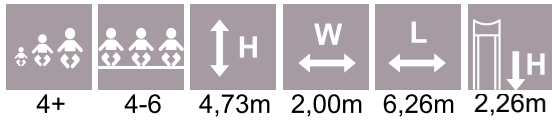


For Example:

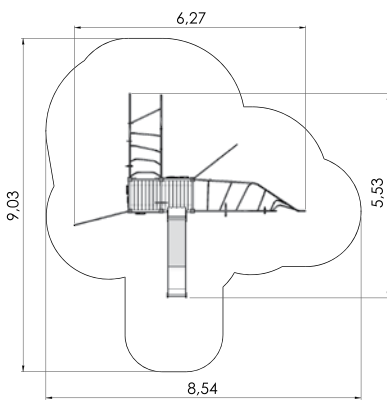
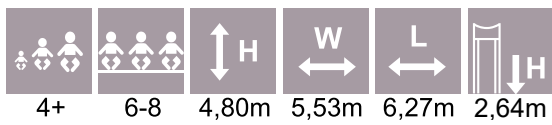
	MM116 P	MM116 P AL	MM116 P PE	LM116 P ALPE	LM116 P MF
Posts	Laminated wood	Powder coated aluminium	Laminated wood	Powder coated aluminium	Powder coated aluminium
Platforms	Laminated wood	Laminated wood	Laminated wood	Laminated wood	Plastic covered laminated wood
Panels	PP covered plywood	PP covered plywood	HDPE plastic	HDPE plastic	HDPE plastic
Climbing walls	PP covered plywood	PP covered plywood	HDPE plastic	HDPE plastic	HDPE plastic
Cheese walls	HDPE plastic	HDPE plastic	HDPE plastic	HDPE plastic	HDPE plastic
Roofs	PP covered plywood or HDPE plastic	PP covered plywood or HDPE plastic	HDPE plastic	HDPE plastic	HDPE plastic
Tubes	Zinc and powder coated steel	Zinc and powder coated steel	Zinc and powder coated steel	Zinc and powder coated steel	Zinc and powder coated steel
Ropes and nets	Six-strand PES cover braided steel ropes	Six-strand PES cover braided steel ropes	Six-strand PES cover braided steel ropes	Six-strand PES cover braided steel ropes	Six-strand PES cover braided steel ropes
Slides	Stainless steel and HDPE plastic	Stainless steel and HDPE plastic	Stainless steel and HDPE plastic	Stainless steel and HDPE plastic	Stainless steel and HDPE plastic
Stairs	Laminated wood	Laminated wood	Laminated wood	Laminated wood	Plastic covered laminated wood and HDPE plastic

PIRATE WORLD

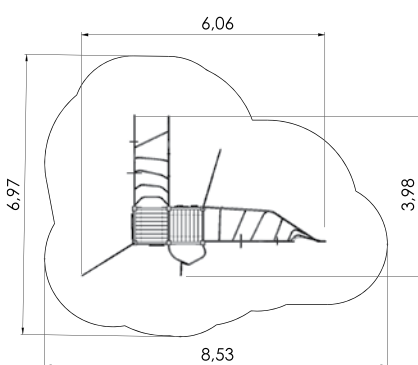
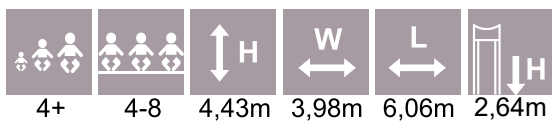
NW101 P GOLDSMITH



NW102 P POWER



NW201 P COOPER



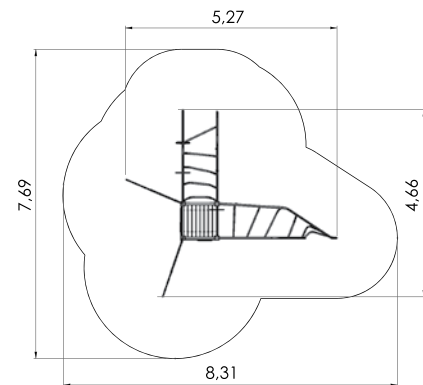
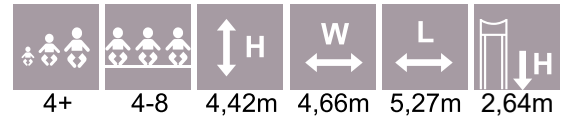
PIRATE WORLD

COLOR OPTIONS:

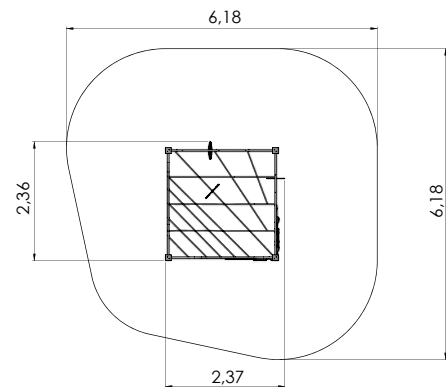
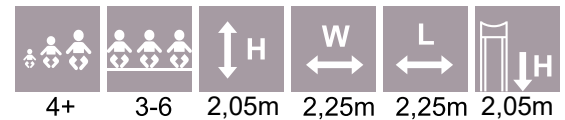


Pirate world

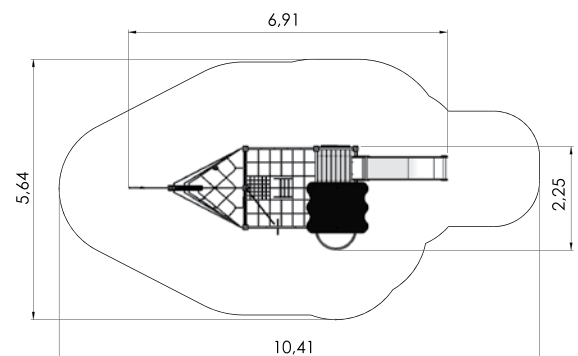
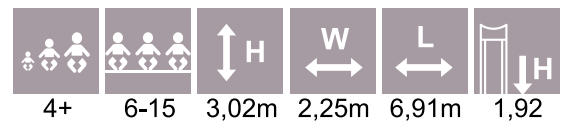
NW202 P COX



NW210 P MORGAN

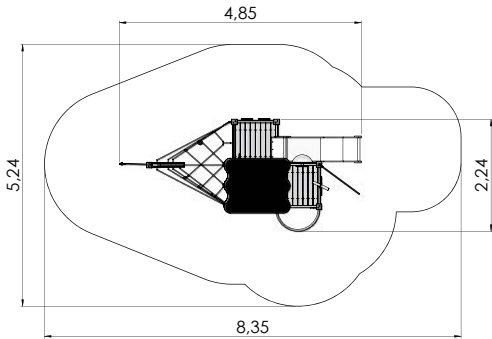
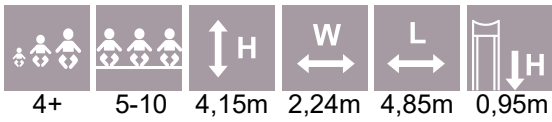


MM116 P Pirate ship BLACK DRAGON



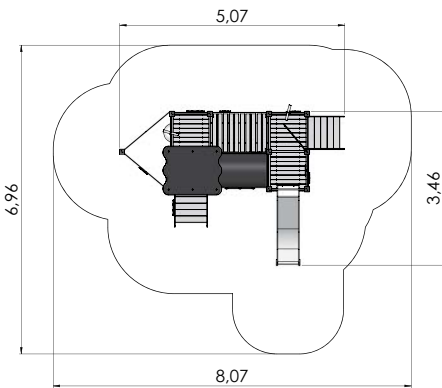
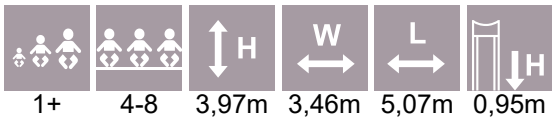
PIRATE WORLD

MM177 P Playship AMITY



PIRATE
WORLD

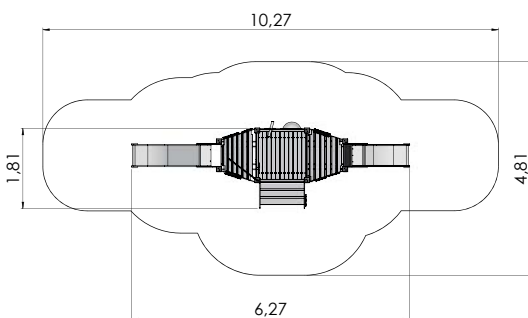
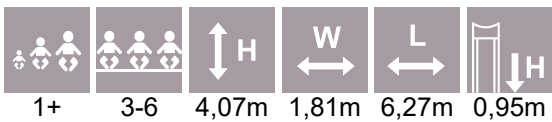
MM126 P Pirate ship RISING SUN



NEW!

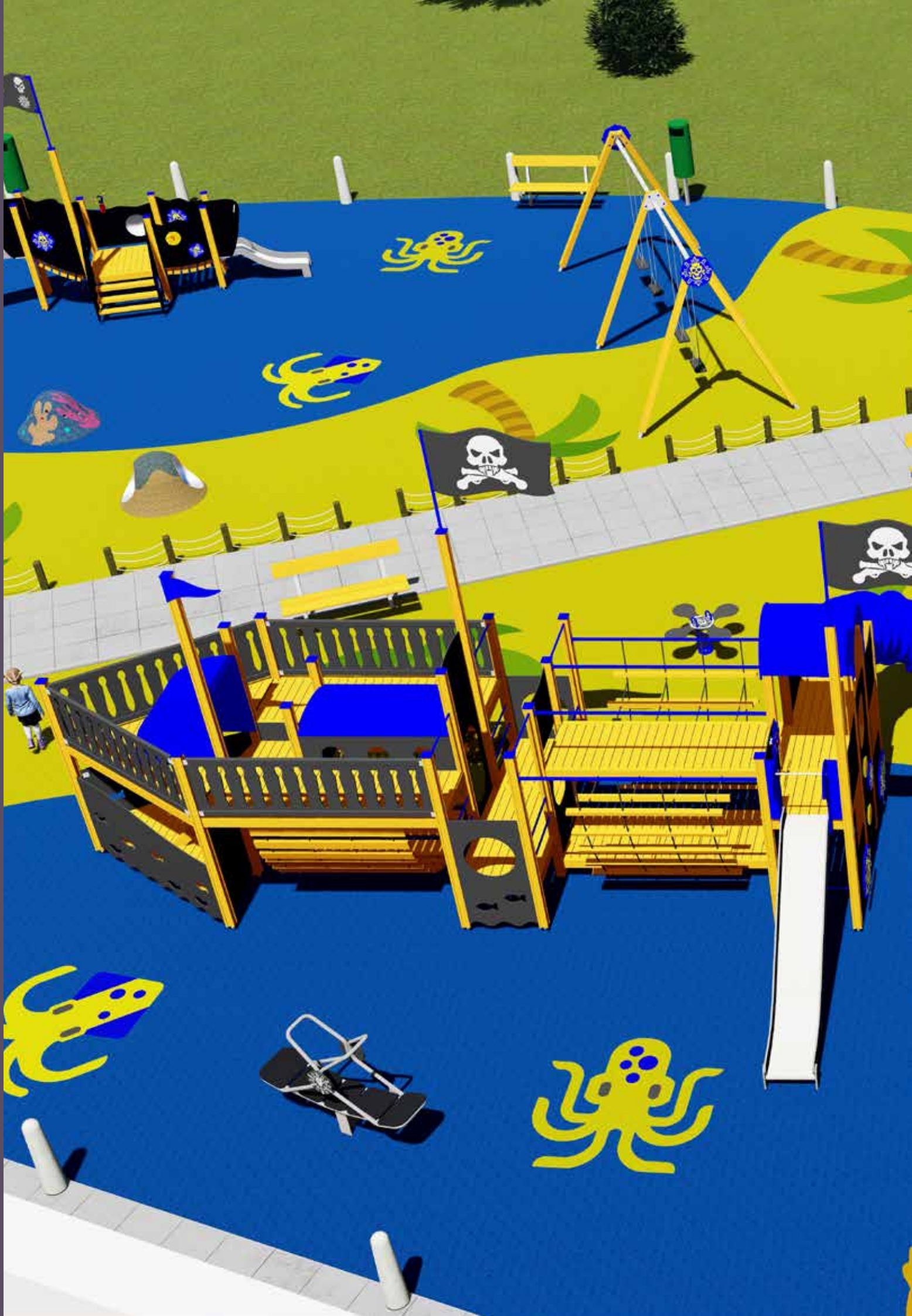


MM127 P Pirate ship FANCY



NEW!







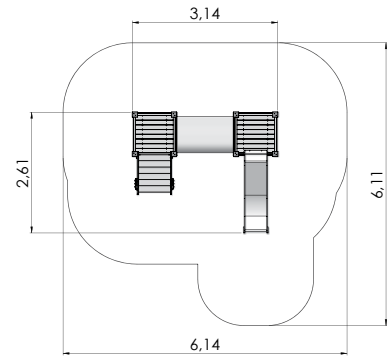
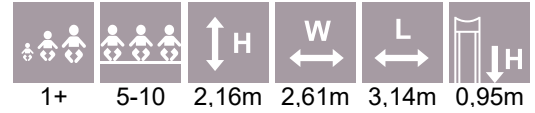
PIRATE WORLD

COLOR OPTIONS:



Pirate world

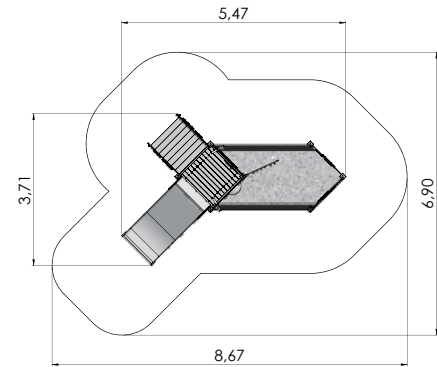
LM006-1 P Play Centre ROCKING HORSE



MM128 P Pirate ship Ø HN VAAGE (wide slide)



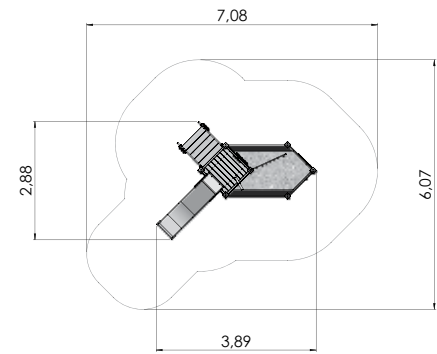
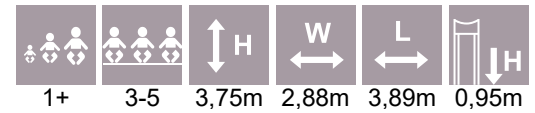
NEW!



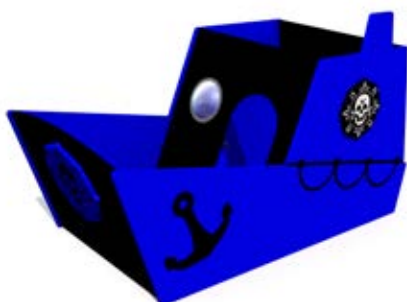
MM128-2 P Pirate ship ALEXANDER VAAGE



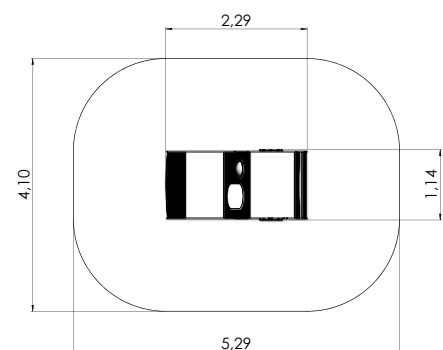
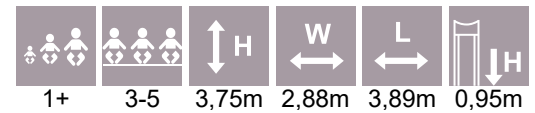
NEW!



MM136 TUGBOAT

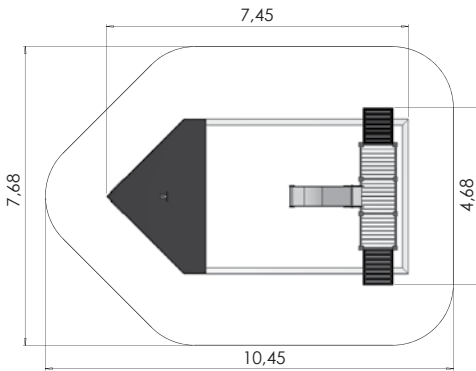
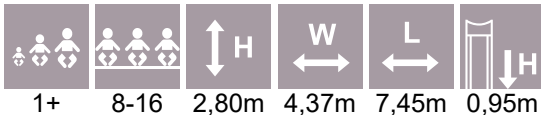


NEW!



PIRATE WORLD

LM301 P Pirate ship LIBERTY

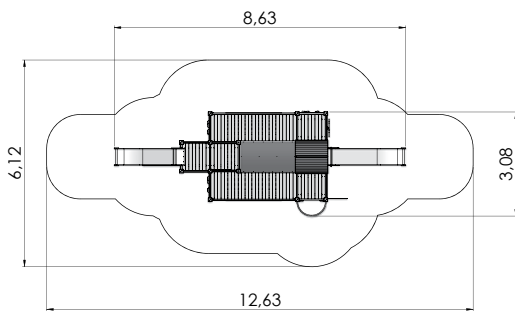
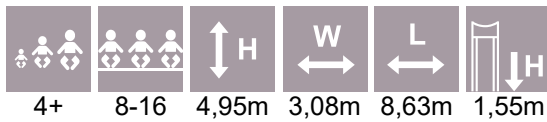


NEW!

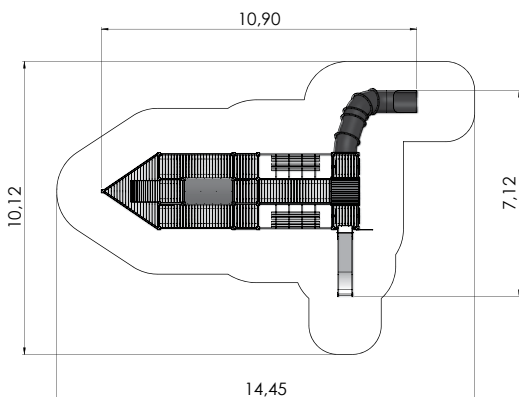
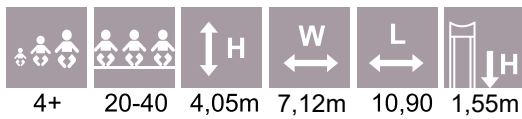


PIRATE
WORLD

MM119 P Pirate ship NIGHT RAMBLER



MM118 P Playship BLACK Ø KE



PIRATE WORLD

COLOR OPTIONS:



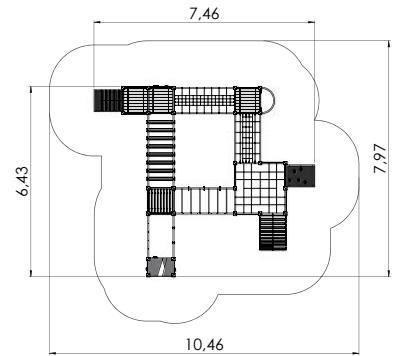
Pirate world

RS310 P Play Centre PIRATE DAVIS



NEW!

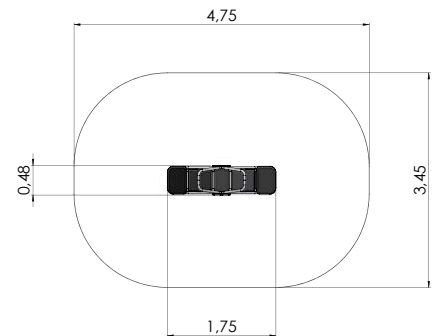
4+	10-20	2,10m	6,43m	7,46m	1,92m



K200 P MF Stand on see-saw HOOK



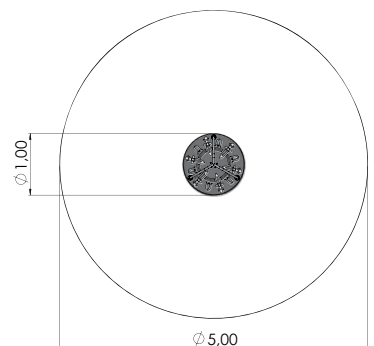
4+	2	1,28m	0,48m	1,75m	0,88m



KM005 P Carousel SWORD

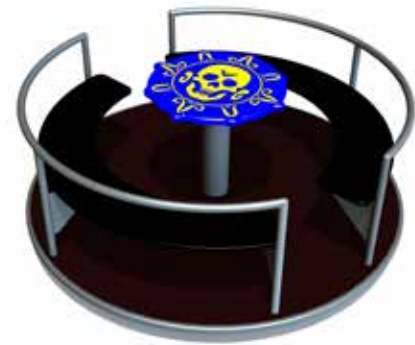
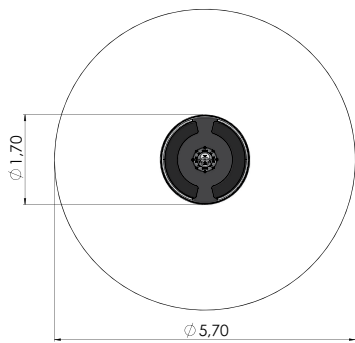
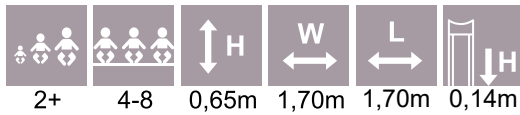


4+	2-4	0,85m	1,00m	1,00m	0,13m



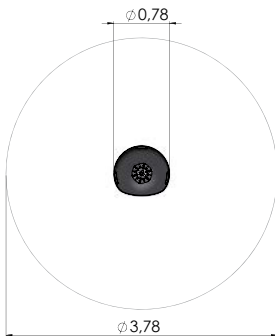
PIRATE WORLD

KM001 P Carousel DOUBLOON

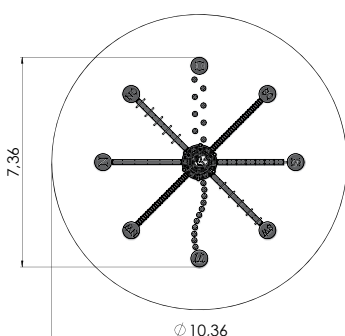
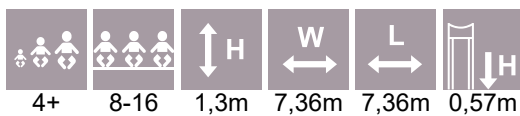
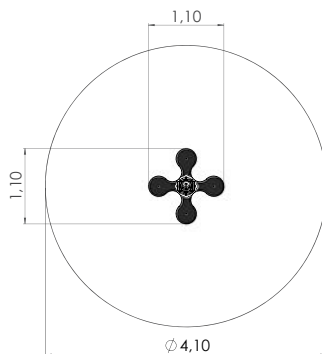
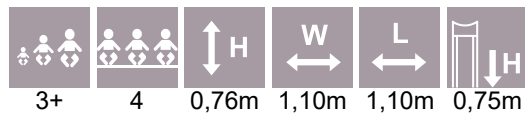


PIRATE
WORLD

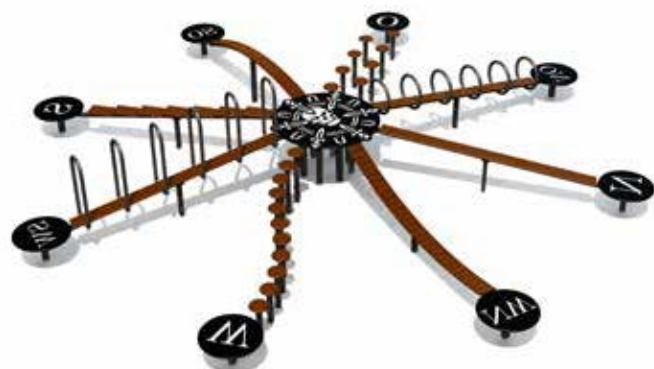
VLI52 P Spring swing BOWL



VLI44 P Spring swing BLACK



TKR001 P
Balancing equipment PIRATE COMPASS



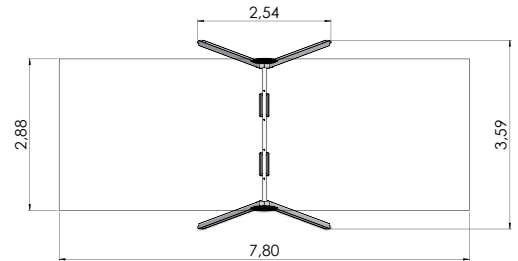
PIRATE WORLD

COLOR OPTIONS:

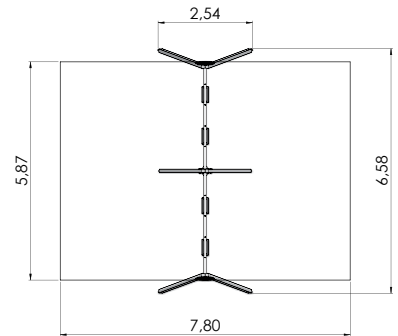
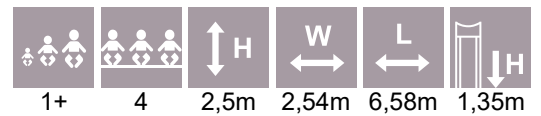


Pirate world

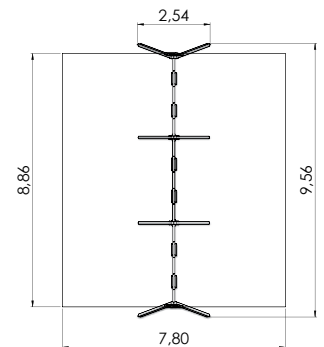
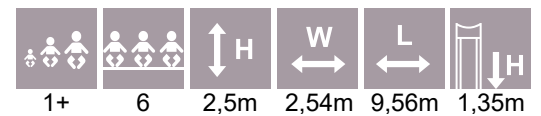
K002 P Swing DUCAT 2 places
(without seats and fittings)



K008 P Swing DUCAT 4 places
(without seats and fittings)



K009 P Swing DUCAT 6 places
steel groundfixings (without seats and fittings)



ZODIAC

ZODIAC



ZODIAC

The starry sky has always attracted people with its mystique and endless space. Just like astronomy answers our questions about the outer space and astrology instils belief in constellations, our new Zodiac range helps better understand the secrets of the universe.

Why do stars look so tiny? How does the Moon wax and wane? How big is outer space? What does the Ursa Major carry? Where do UFOs live? Does the time machine exist? What is my Zodiac sign? The children's questions never end, but seeking answers to these questions together is just as educational and exciting as the products in our Zodiac range.

The Zodiac range fuels their dreams and the same sparkle-eyed kid climbing on the net, racing down the slide or exploring the world through an illuminator just might be a future astronaut or astronomer.



Z002 Play Centre CEPHEUS 59



Z003 Play Centre URSA MINOR 59



Z004 Play Centre LACERTA 62



Z007 Play Centre CANES VENATICI 62



Z008 Play Centre LIBRA 62



Z001 Play Centre URSA MAJOR 59



Z009 Play Centre CASSIOPEIA 64



Z10 Play Centre AQUILA 64



Z201 Climbing frame VEGA 66



VLI44 Z Spring swing FLOWER 67



Z12 Play Centre ANTLIA 64



K002 Z Swing CROX 2 places 66



LK20 Z Sandbox - 2000x2000 67



Z13 Play Centre FORNAX 65



K008 Z Swing CROX 4 places 66



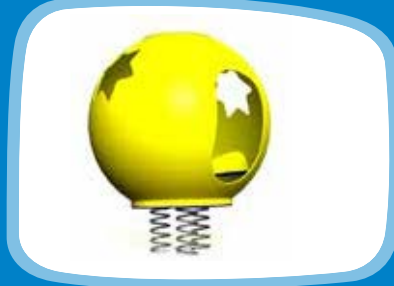
LKL001 Z Flower-shaped sandbox table 68



Z005 Playhouse LEO MINOR 65



K009 Z Swing CROX 6 places 66



BL01 Spring swing SPUTNIK 68



Z006 Playhouse LEO 65



KM005 Z Carousel SAGITTARIUS 67



BL02 Slide SPUTNIK 68



Z011 Playhouse ARIES 65



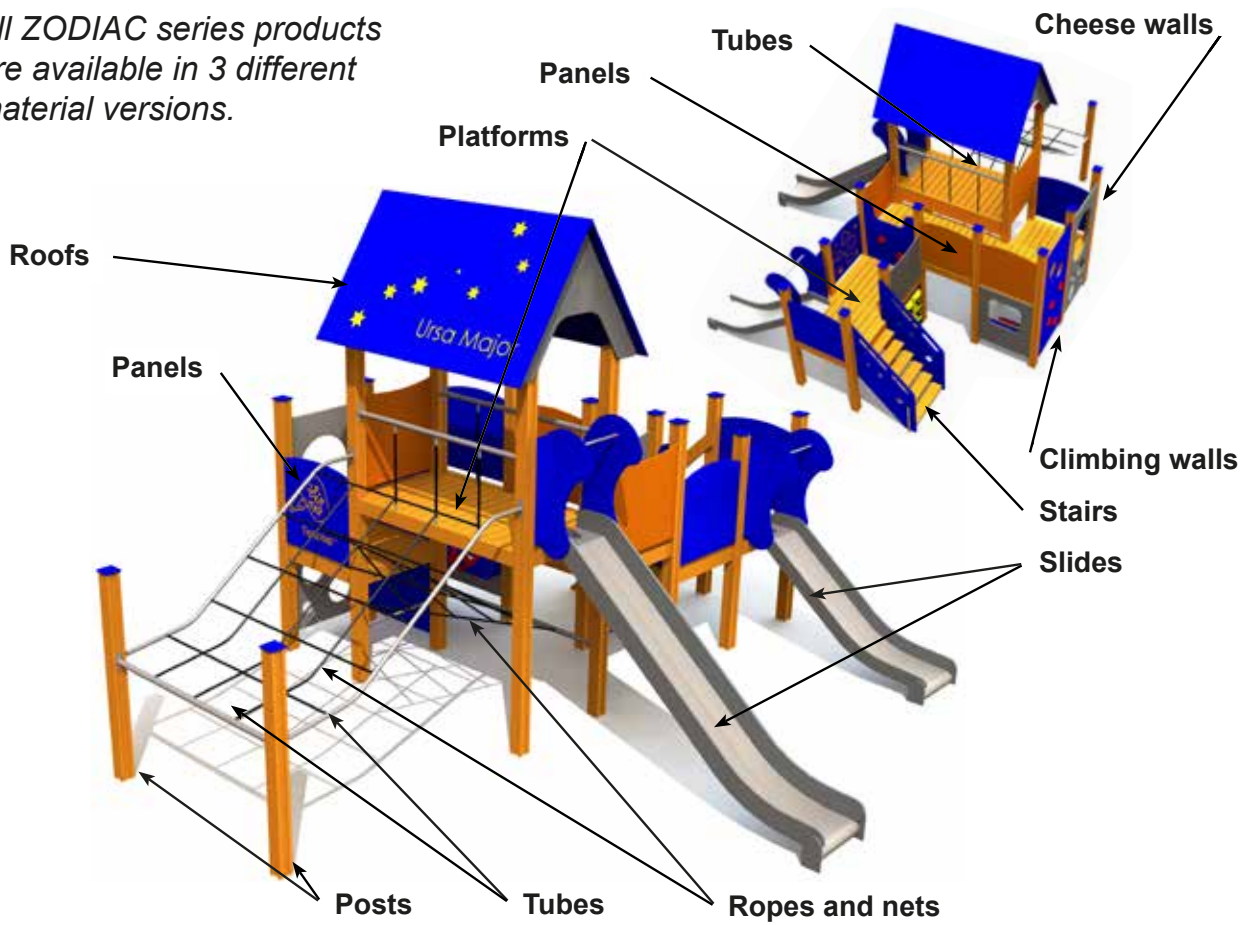
TKR001 Z ZODIAC COMPASS 67




BL03 Carousel SPUTNIK 68

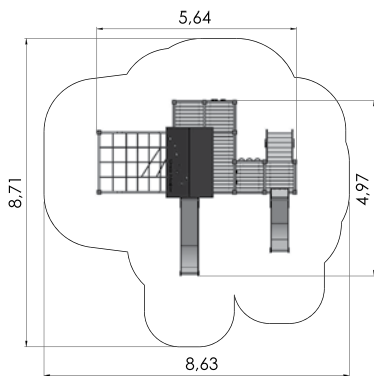
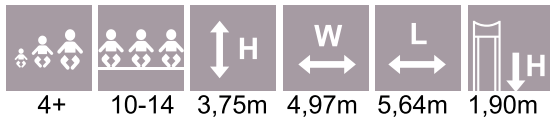
ZODIAC

All ZODIAC series products are available in 3 different material versions.



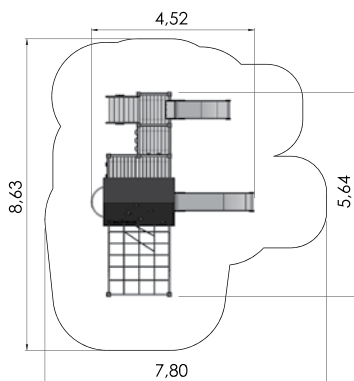
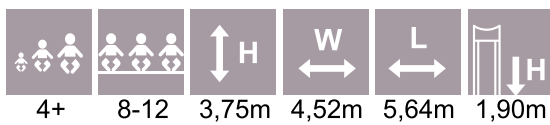
Colours:	For Example:	Z001 PE	Z001 ALPE	Z001 MF
	Posts	Laminated wood	Powder coated aluminium	Powder coated aluminium
	Platforms	Laminated wood	Laminated wood	Plastic covered laminated wood
	Panels	HDPE plastic	HDPE plastic	HDPE plastic
	Climbing walls	HDPE plastic	HDPE plastic	HDPE plastic
	Cheese walls	HDPE plastic	HDPE plastic	HDPE plastic
	Roofs	HDPE plastic	HDPE plastic	HDPE plastic
	Tubes	Hot galvanized and painted steel	Hot galvanized and painted steel	Hot galvanized and painted steel
	Ropes and nets	Six-strand PES cover braided steel ropes	Six-strand PES cover braided steel ropes	Six-strand PES cover braided steel ropes
	Slides	Stainless steel and HDPE plastic	Stainless steel and HDPE plastic	Stainless steel and HDPE plastic
	Stairs	Laminated wood	Laminated wood	Plastic covered laminated wood and HDPE plastic

Z001 Play Centre URSA MAJOR

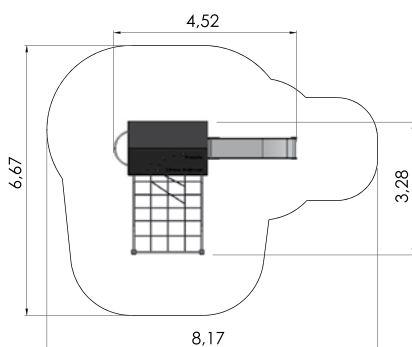
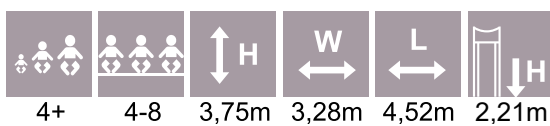


ZODIAC

Z002 Play Centre CEPHEUS

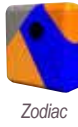


Z003 Play Centre URSA MINOR

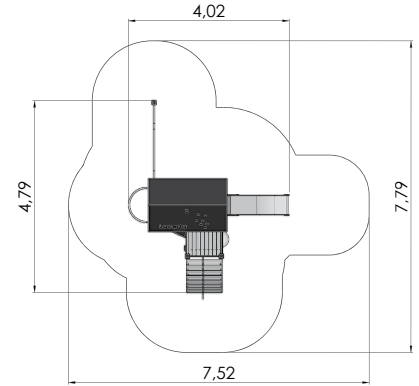
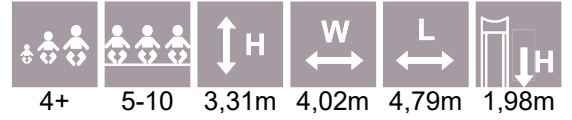




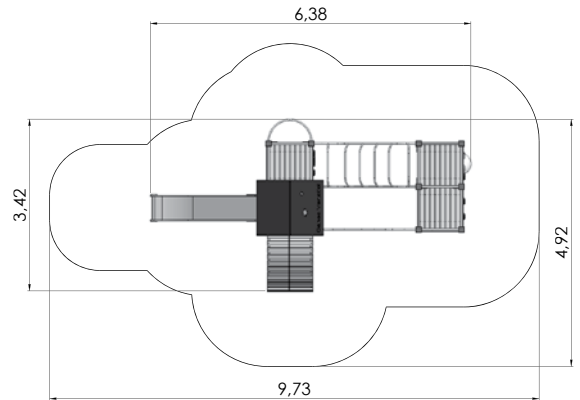
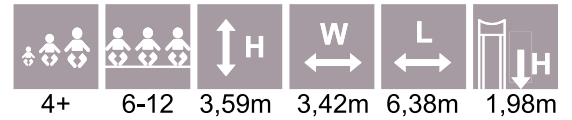




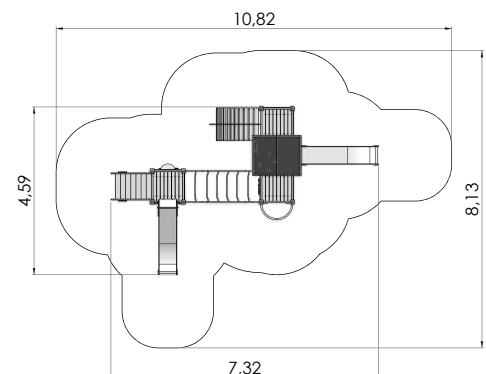
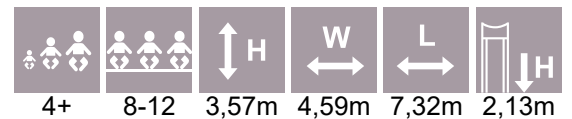
Z004 Play Centre LACERTA



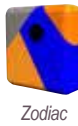
Z007 Play Centre CANES VENATICI



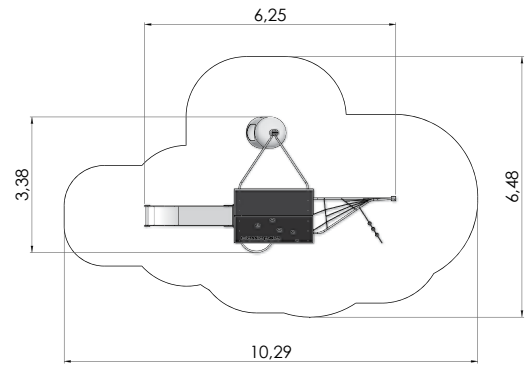
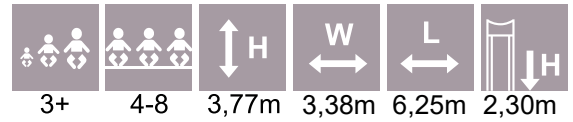
Z008 Play Centre LIBRA







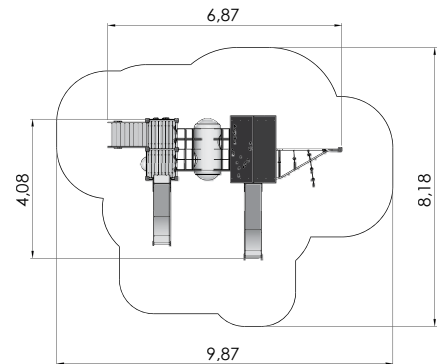
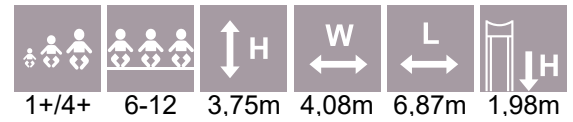
Z009 Play Centre CASSIOPEIA



Z010 Play Centre AQUILA



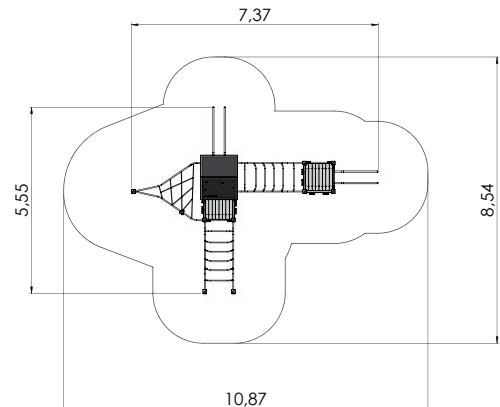
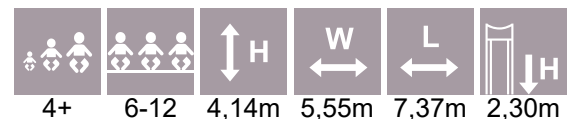
NEW!



Z012 Play Centre ANTLIA



NEW!



Z013 Play Centre FORNAX



NEW!

ZODIAC

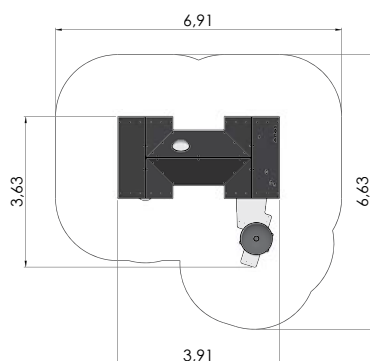
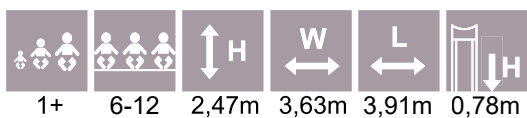
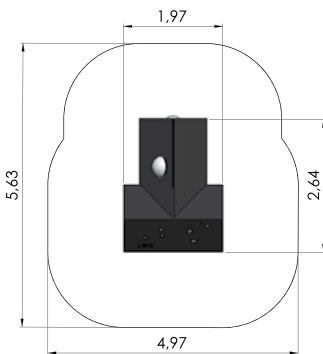
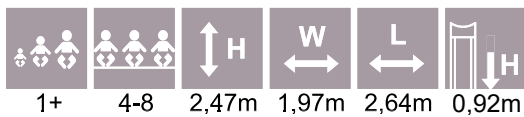
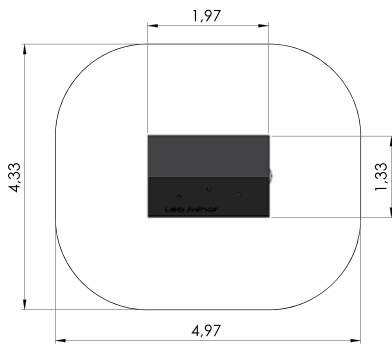
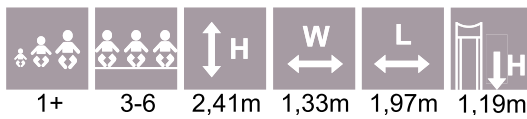
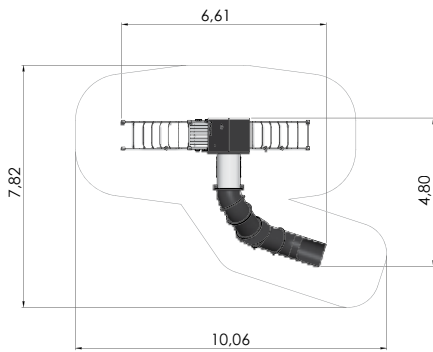
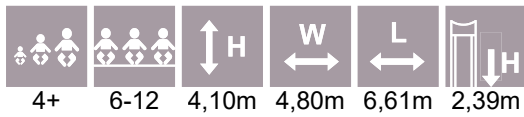
Z005 Playhouse LEO MINOR

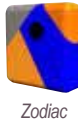


Z006 Playhouse LEO

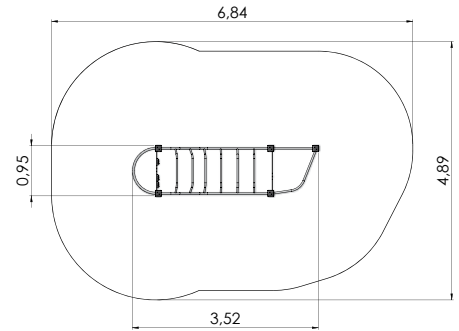
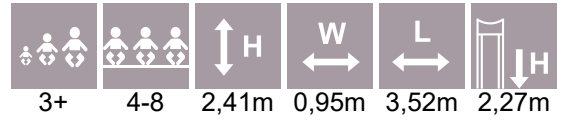


Z011 Playhouse ARIES

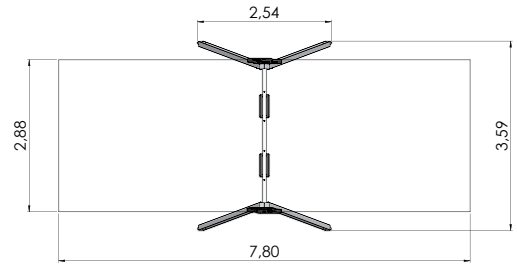
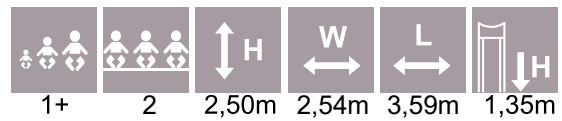




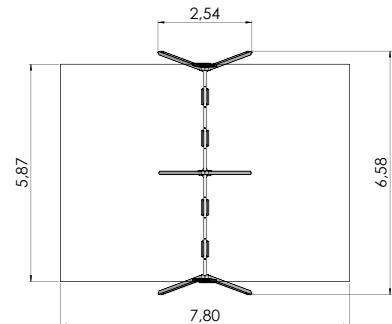
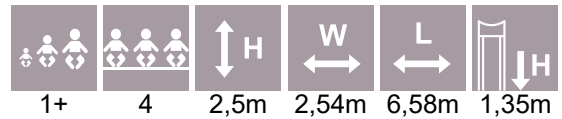
Z201 Climbing frame VEGA



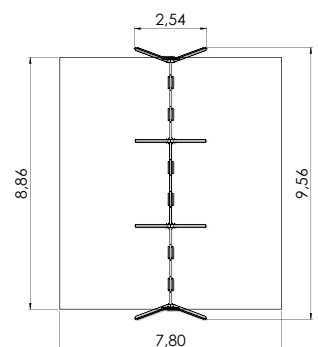
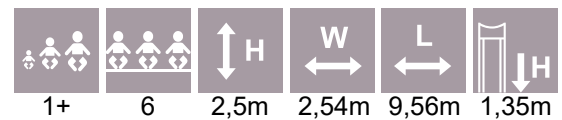
K002 Z Swing CROX 2 plae s
(without seats and fittings)



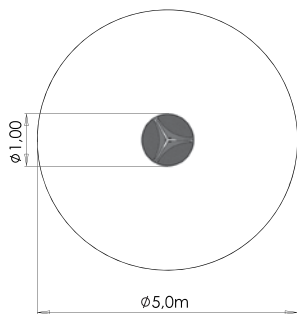
K008 Z Swing CROX 4 plae s
(without seats and fittings)



K009 Z Swing CROX 6 plae s
(without seats and fittings)

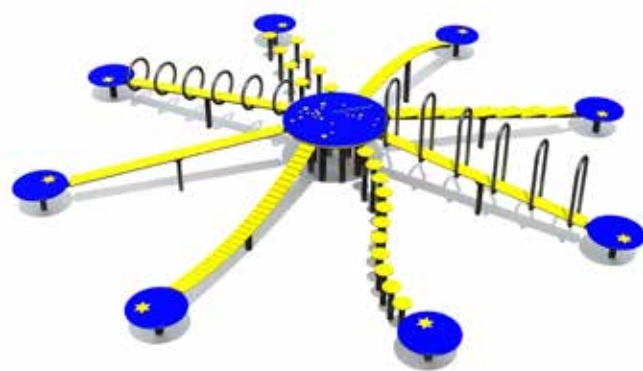
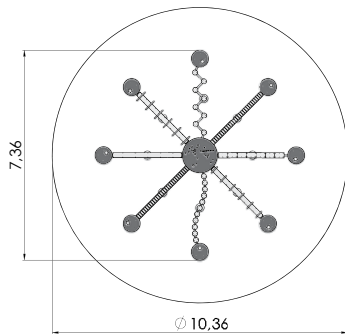
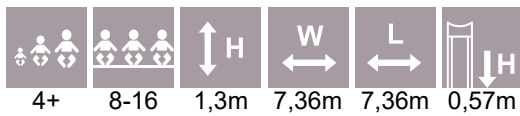


KM005 Z Carousel SAGITTARIUS

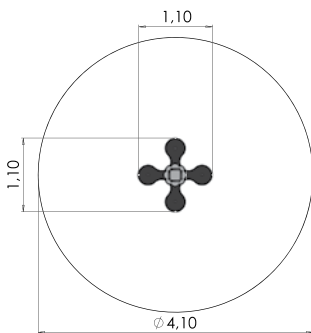
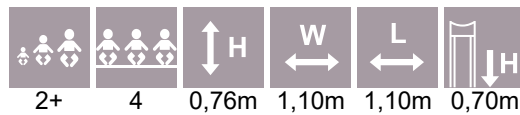


ZODIAC

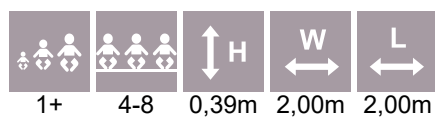
TKR001 Z ZODIAC COMPASS

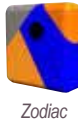


VLI44 Z Spring swing FLOWER



LK20 Z Sandbox - 2000x 000

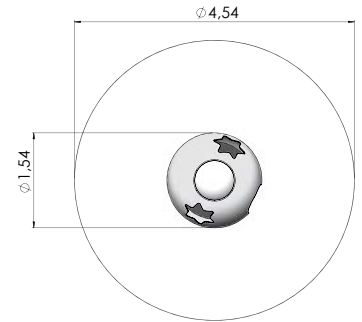
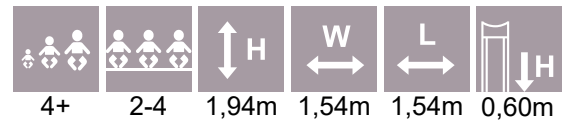




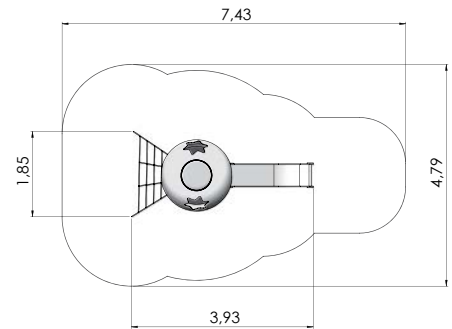
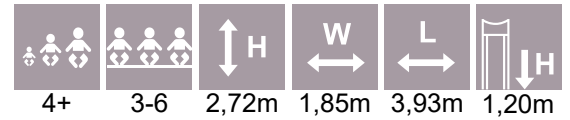
LKL001 Z Flower-shaped sandbox table



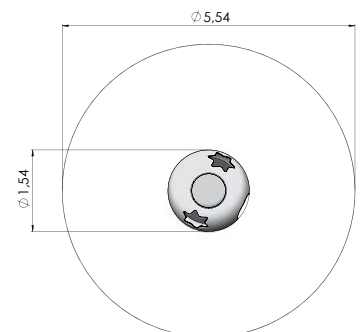
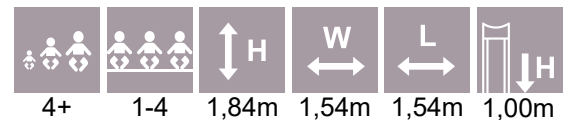
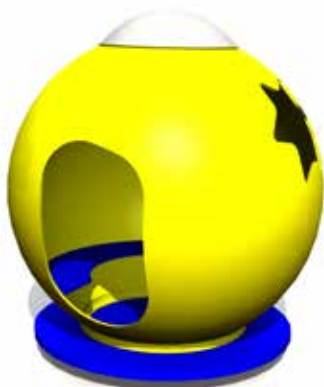
BL01 Spring swing SPUTNIK



BL02 Slide SPUTNIK



BL03 Carousel SPUTNIK



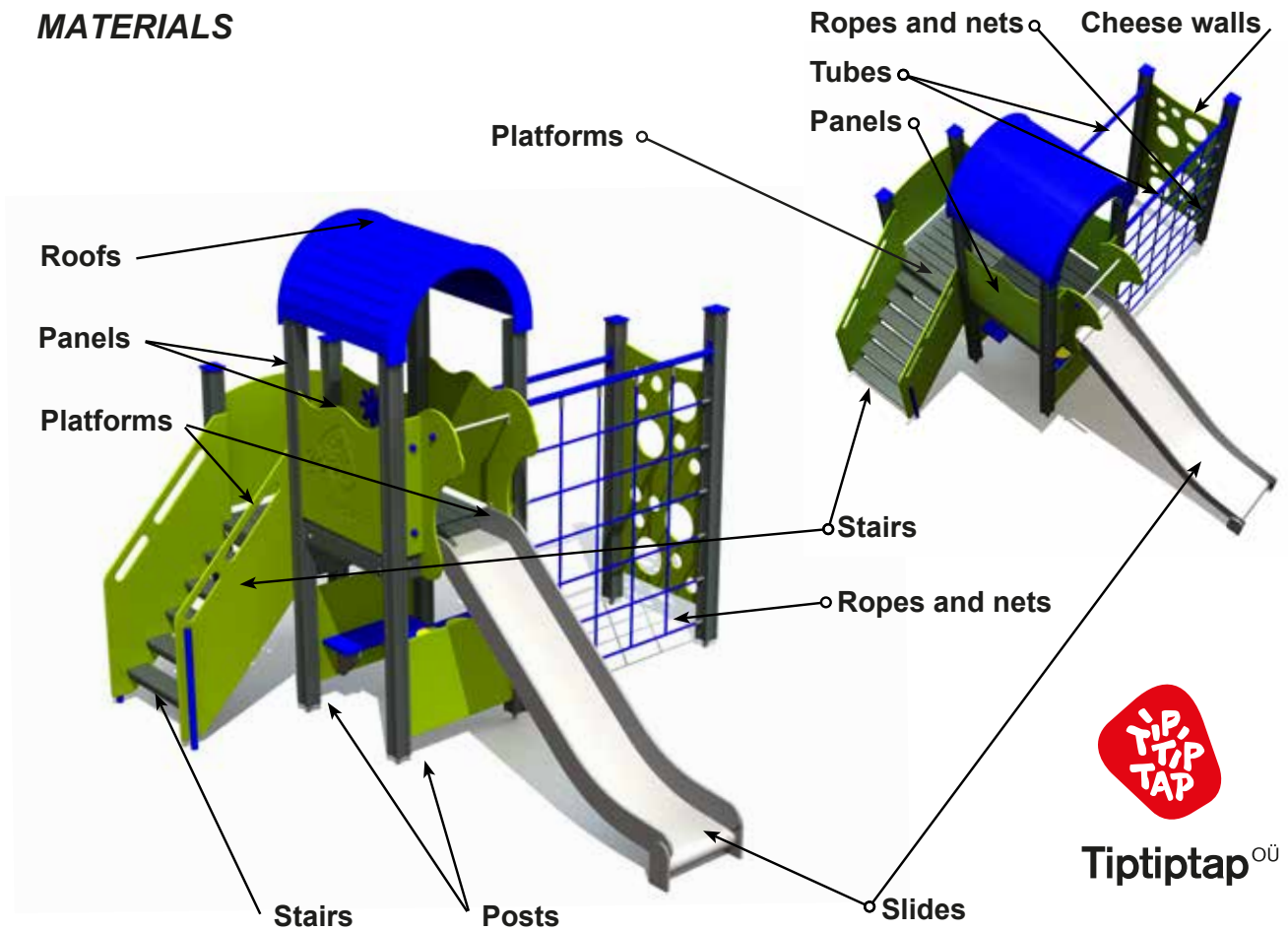
FRESH



FRESH

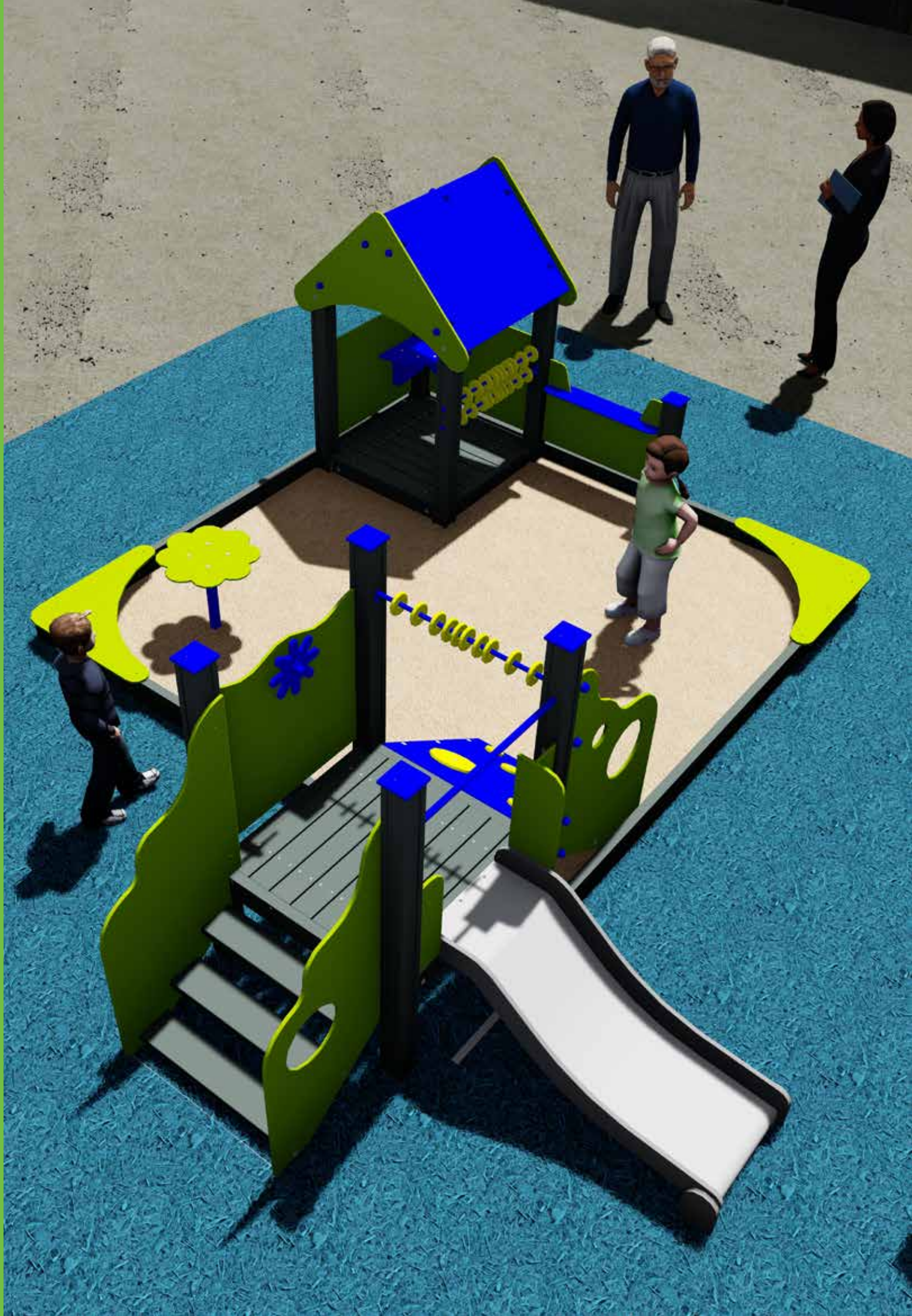
FRESH

MATERIALS



Colours:	For Example:	LM202 MF
	Posts	Powder coated aluminium
	Platforms	Plastic covered laminated wood
	Panels	HDPE plastic
	Climbing walls	HDPE plastic
	Cheese walls	HDPE plastic
	Roofs	HDPE plastic
	Tubes	Zinc and powder coated steel
	Ropes and nets	Six-strand PES cover braided steel ropes
	Slides	Stainless steel and HDPE plastic
	Stairs	Plastic covered laminated wood and HDPE plastic





FOREST



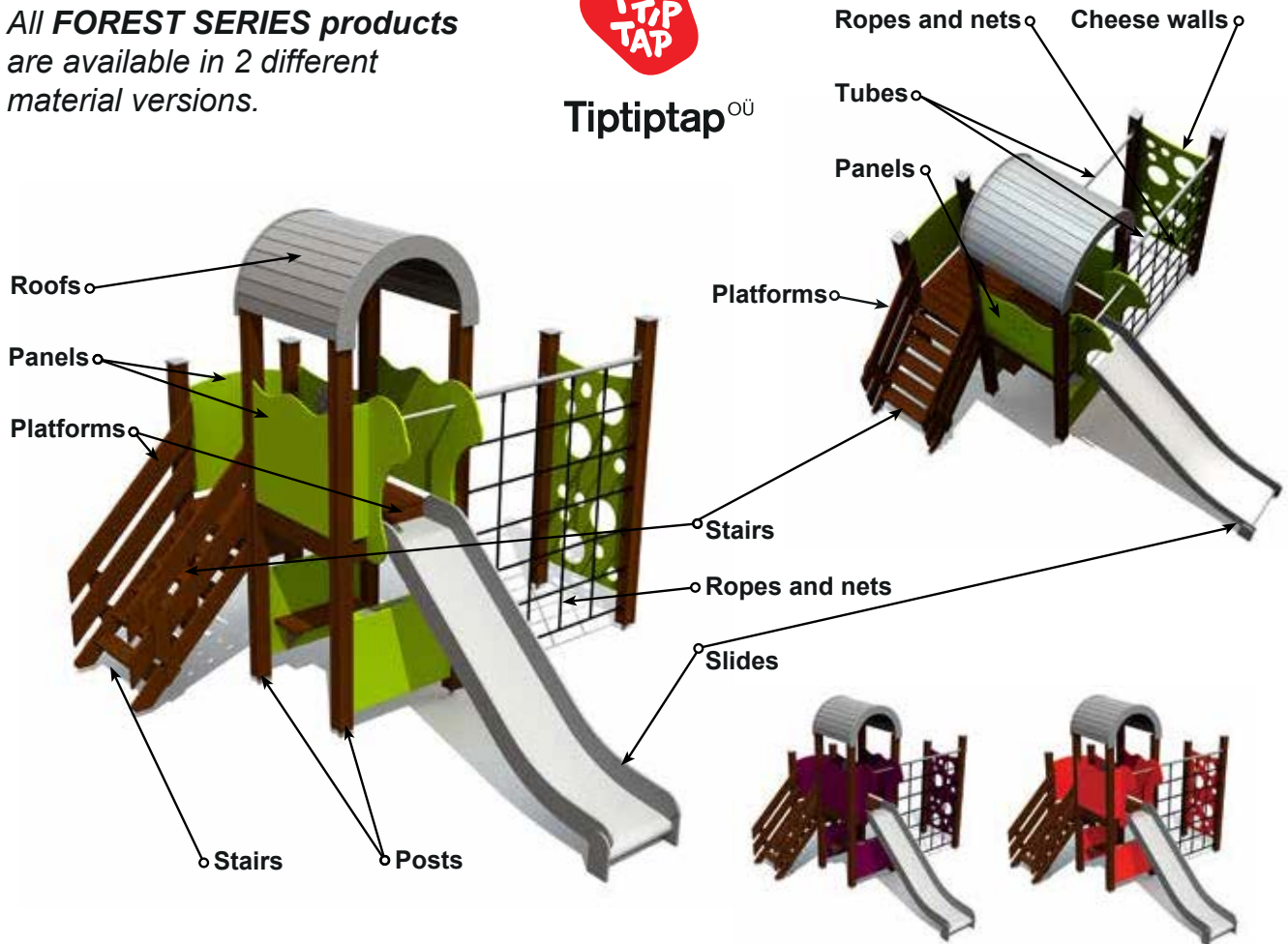
FOREST

FOREST

All **FOREST SERIES** products are available in 2 different material versions.



Tiptap[®]



Colours:

For Example:

LM202 PE

LM202 MF



	LM202 PE	LM202 MF
Posts	Laminated wood	Powder coated aluminium
Platforms	Plastic covered laminated wood	Plastic covered laminated wood
Panels	HDPE plastic	HDPE plastic
Climbing walls	HDPE plastic	HDPE plastic
Cheese walls	HDPE plastic	HDPE plastic
Roofs	HDPE plastic	HDPE plastic
Tubes	Zinc and powder coated steel	Zinc and powder coated steel
Ropes and nets	Six-strand PES cover braided steel ropes	Six-strand PES cover braided steel ropes
Slides	Stainless steel and HDPE plastic	Stainless steel and HDPE plastic
Stairs	Plastic covered laminated wood	Plastic covered laminated wood and HDPE plastic



FOREST







PLAY CENTRES





AP01 Alphabet

88



LM012 Slide BIA

91



LM002 Slide ANN

92



LM020 Slide SHELL

90



LM011 Slide DAN

91



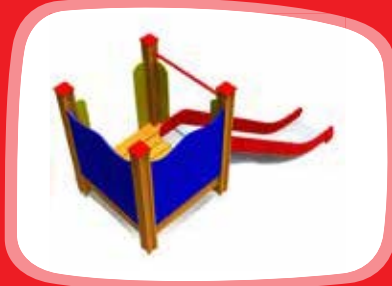
LM010 Play Centre BRITA

93



LM021 Slide BEAVER

90



LM011-1 Slide DEE

91



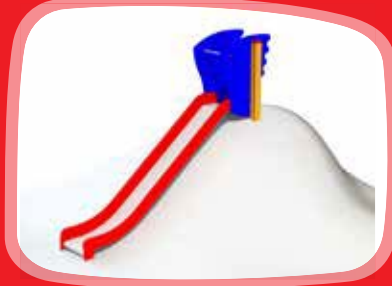
LM009 Play Centre ANETE

93



LM004 Slide MIA

90



LM012-1 Slide BUD

92



LM004 Play Centre PAULA

93



LM007 Slide ELO

90



LM014 Slide ALF

92



LM016 Play Centre AMANDA

93



LM008 Slide BOB

91



LM001 Slide TIM

92



LM017 Play Centre AMANDUS

94

PLAY CENTRES

PLAY CENTRES



LM207 Slide BEN 94



LM214-1 Play Centre HARDY 96



LM200 Slide LARS 98



LM207S Slide EVE 94



LM214 Play Centre HARRY 96



LM202 Play Centre MARIA 98



LM231-1 Play centre CARLOS 95



LM103 Play Centre ROBERT 97



LM202-1 Play Centre MARIE 98



LM231 Play centre CARL 95



LM219 Play Centre CONRAD 97



LM202-2 Play Centre MARION 98



LM211 Play Centre PAUL 96



LM210 Play Centre MONA 97



LM202-3 Slide MARIUS 99



LM003 Play Centre JACOB 96



LM201 Slide EMMA 97



LM214-2 Play Centre HOLLY 99

PLAY CENTRES



LM223 Play Centre THERESA 99



LM101 Play Centre MARCUS 101



LM217 Play Centre HARALD 104



LM224 Slide THEO 99



LM209 Play Centre OLIVER 101



LM213-1 Play Centre DAGMAR 104



LM005 Play Centre OSCAR 100



LM228 Play Centre FREDERIK 101



LM213-2 Play Centre DURREL 105



LM006 Play Centre LAURA 100



LM218 Play Centre INGRID 101



LM227 Play Centre FRANCIS 105



LM006-1 Play Centre LAURI 100



LM217-1 Play Centre HEDVIG 104



LM100 Play Centre REGINA 105



LM105 Play Centre PETERI 100



LM213 Play Centre DANIEL 104



LM102 Play Centre JOHANNA 105

PLAY CENTRES

PLAY CENTRES



LM203 Play Centre RICHARD 108



LM225-1 HANNA 109



LM226-1 Play Centre EVELIN 113



LM222 Play Centre ISABEL 108



LM225 Play Centre HANS 109



LM229 Play Centre DENIZ 113



LM222-1 Play Centre ISABELLA 108



LM215 Play Centre LINCOLN 112



LM208-1 Play Centre ALEXANDRA 113



LM221 Play Centre ANNELY 108



LM225-2 Play Centre HECTOR 112



LM208 Play Centre ALEXANDER 116



LM205 Play Centre REBECCA 109



LM212 Play Centre ANNABEL 112



LM018 Play Centre RAUL 116



LM220 Play Centre HERMANN 109



LM226 Play Centre ANDREAS 112



LM208-2 Play Centre ALBERTO 116

PLAY CENTRES



LM310 Play Centre ELISABETH 117



LM300-1 Multi Activity Centre HARBOUR Maxi 119



LM311 Multi Activity Centre KATARIINA 123



LM232 Play Centre ARTHUR 117



LM300-6 Multi Activity Centre OLD TOWN Mini 120



LM312 Multi Activity Centre PETER THE GREAT 126



LM300-7 Multi Activity Centre SEBASTIAN 117



LM300-5 Multi Activity Centre OLD TOWN Midi 120



LM313 Play Centre IVAN IV 126



LM300 Play Centre FERDINAND 118



LM300-4 Multi Activity Centre OLD TOWN Maxi 122



LM300-3 Multi Activity Centre HARBOUR Mini 118



LM220-1 Play Centre WILHELM 122



LM300-2 Multi Activity Centre HARBOUR Midi 119



LM311-1 Play Centre MARGOT 123

All **MULTI ACTIVITY CENTRES** are available in 3 different material versions.



Tiptap^{ou}

For Example:	LM202 PE	LM202 ALPE	LM202 MF
Posts	Laminated wood	Powder coated aluminium	Powder coated aluminium
Platforms	Laminated wood	Laminated wood	Plastic covered laminated wood
Panels	HDPE plastic	HDPE plastic	HDPE plastic
Climbing walls	HDPE plastic	HDPE plastic	HDPE plastic
Cheese walls	HDPE plastic	HDPE plastic	HDPE plastic
Roofs	HDPE plastic	HDPE plastic	HDPE plastic
Tubes	Zincd and powder coated steel	Zincd and powder coated steel	Zincd and powder coated steel
Ropes and nets	Six-strand PES cover braided steel ropes	Six-strand PES cover braided steel ropes	Six-strand PES cover braided steel ropes
Slides	Stainless steel and HDPE plastic	Stainless steel and HDPE plastic	Stainless steel and HDPE plastic
Stairs	Laminated wood	Laminated wood	Plastic covered laminated wood and HDPE plastic

JÄÄLIND



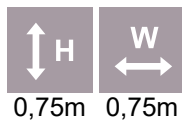


ACTIVITY PANELS AND CLIMBING WALLS

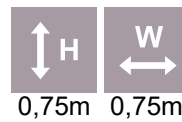
To further add diversity to our products we created a wide series of activity panels which make the playgrounds even more fascinating for children. The development-oriented activity panels create playful situations to teach children to elaborate, solve puzzles, learn shapes, learn to tell time etc. This trains their memory, logic thinking and attentiveness. Learning has never been so simple and fun!

The appropriate activity panel can be selected instead of the standard panel while ordering a new playground, alternatively it can be ordered for an existing playground to refresh it and make it more fascinating for children. Climbing walls can be replaced with activity walls - just as activity panels are an alternative to standard panels. Both options add further attraction to the playground!

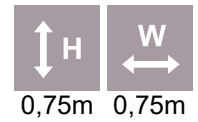
AP01
ALPHABET



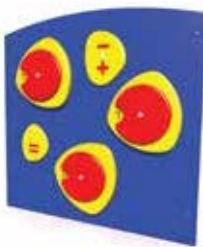
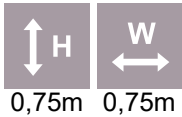
AP02
CLOCK



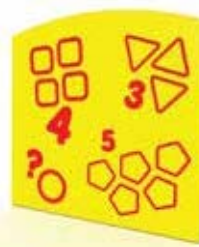
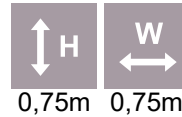
AP03
ARITHMETICS 1



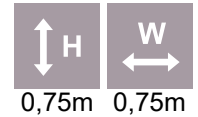
AP04
ARITHMETICS 2



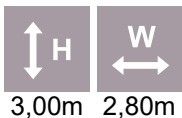
AP05
GEOMETRY 1



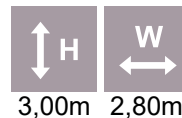
AP06
GEOMETRY 2



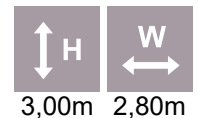
AP08
CLIMBING WALL PIRATE



AP09 CLIMBING WALL
WATER WORLD

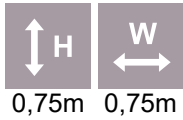


AP10 CLIMBING
WALL FOREST

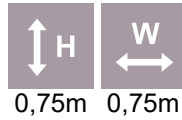


ACTIVITY PANELS AND CLIMBING WALLS

AP11
FLYER



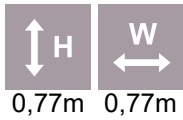
AP12
EMOTIONS



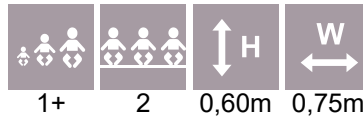
AP07
ARITHMETICS 3



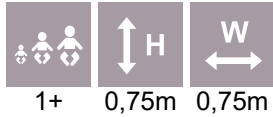
AP13
TIC-TAC-TOE



AP14
CLOCK 2



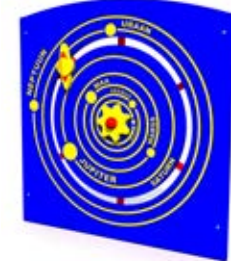
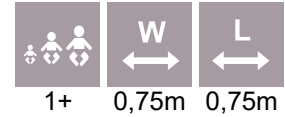
AP15
BUBBLE WINDOW



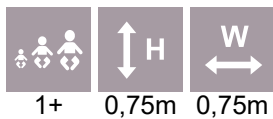
AP16
PHASES OF THE MOON



AP17
SOLAR SYSTEM



AP20
PRINTED
ACTIVITY PANEL

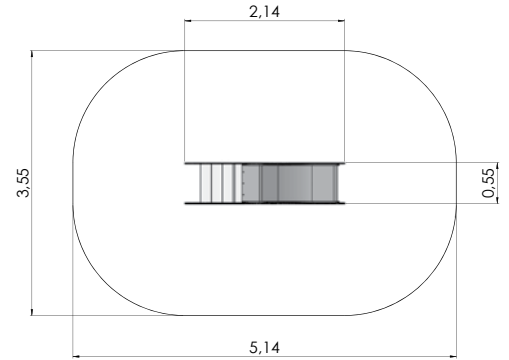
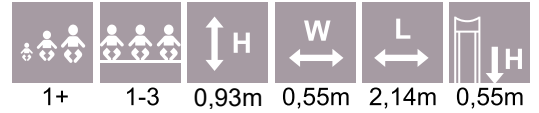
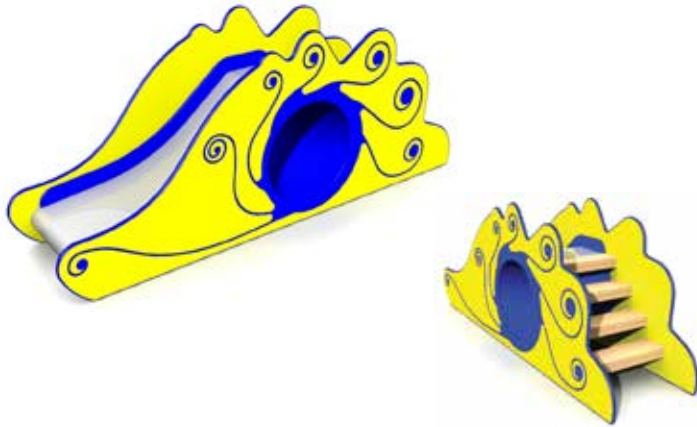


PLAY CENTRES

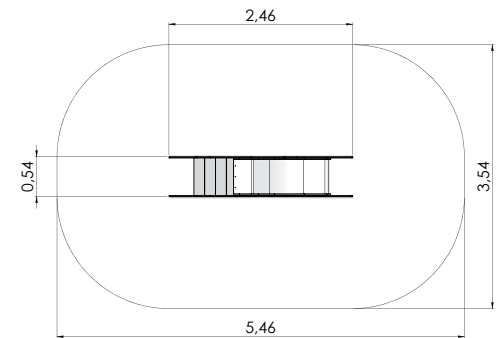
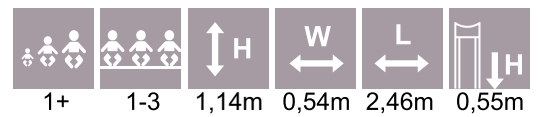
COLOR OPTIONS:



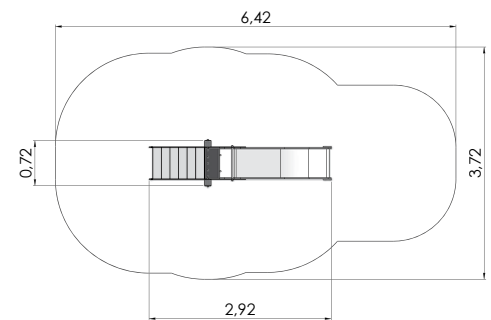
LM020 Slide SHELL



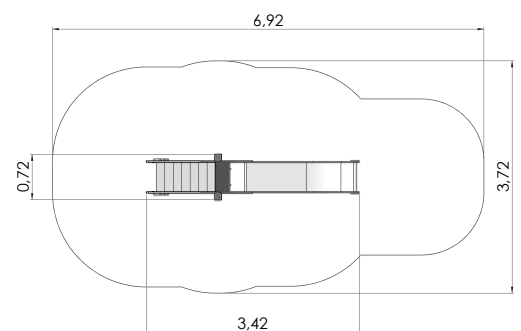
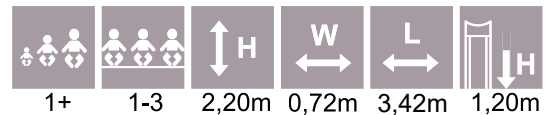
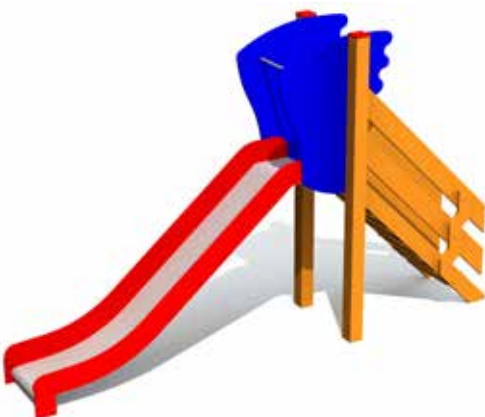
LM021 Slide BEAVER



LM004 Slide MIA

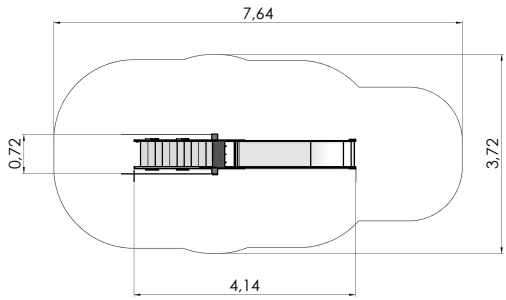
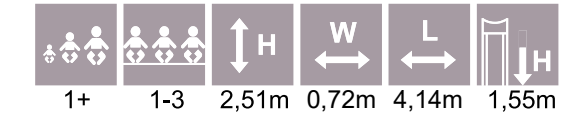


LM007 Slide ELO

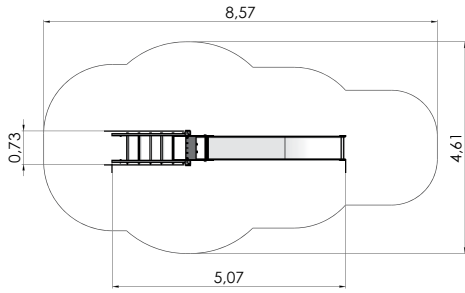
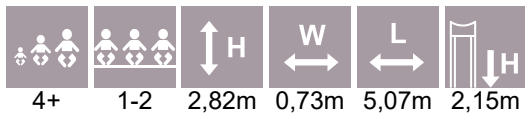


PLAY CENTRES

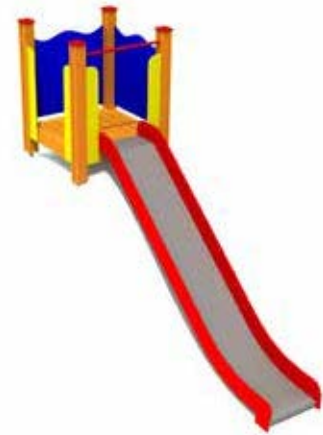
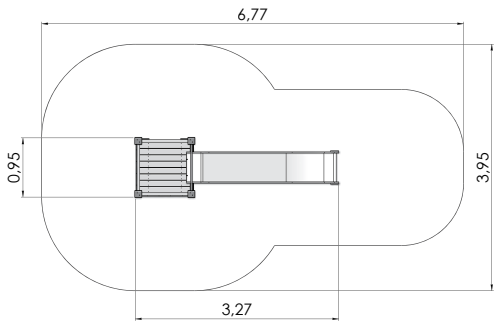
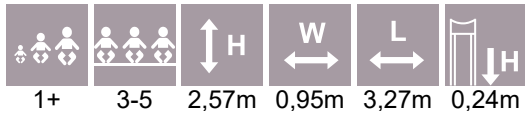
LM008 Slide BOB



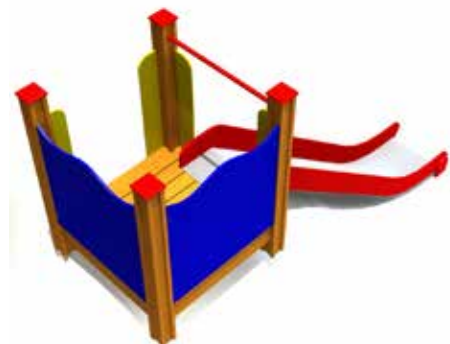
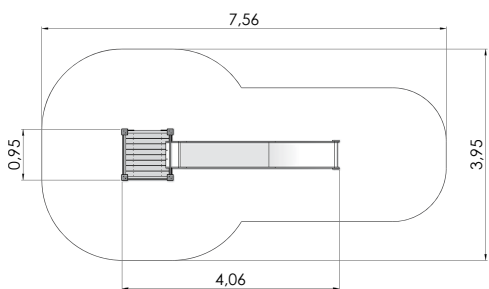
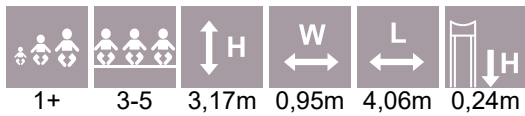
LM012 Slide BIA



LM011 Slide DAN



LM011-1 Slide DEE

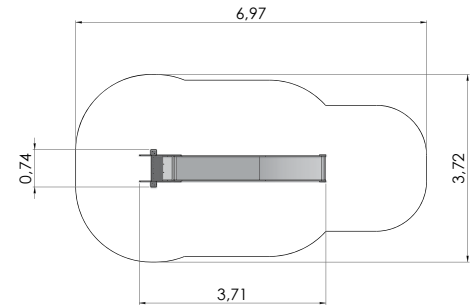
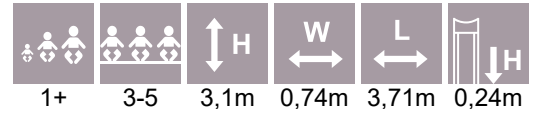


PLAY CENTRES

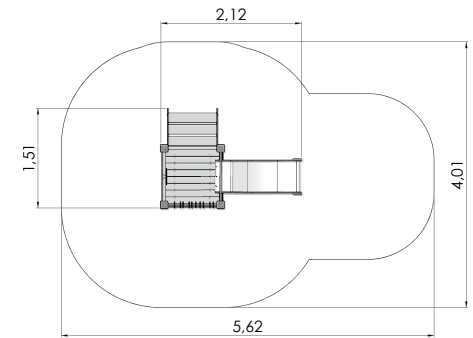
COLOR OPTIONS:



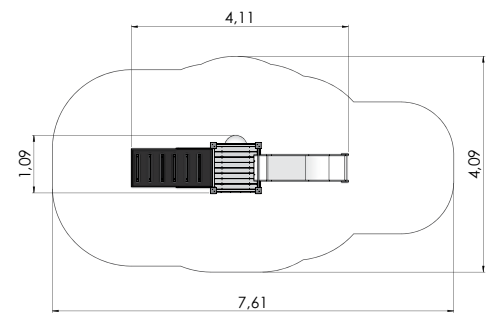
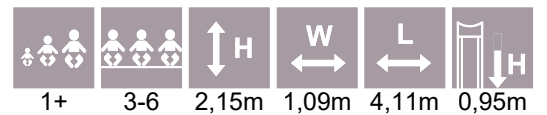
LM012-1 Slide BUD



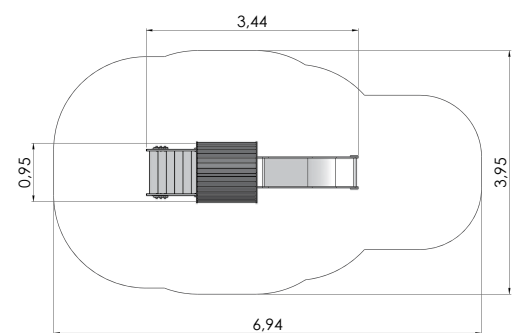
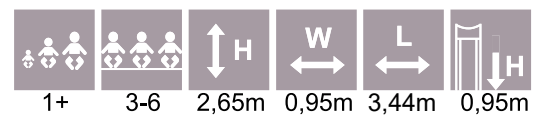
LM014 Slide ALF



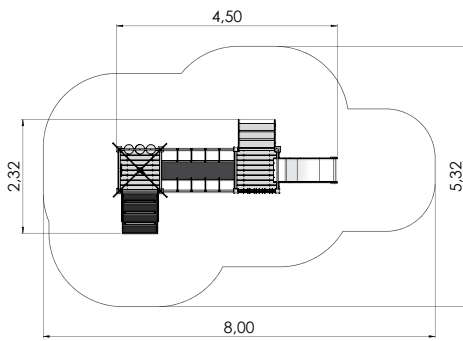
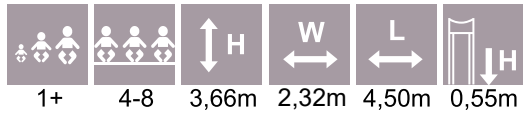
LM001 Slide TIM



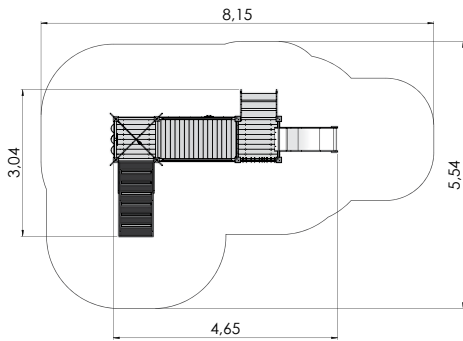
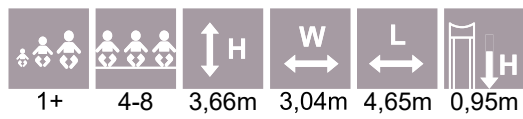
LM002 Slide ANN



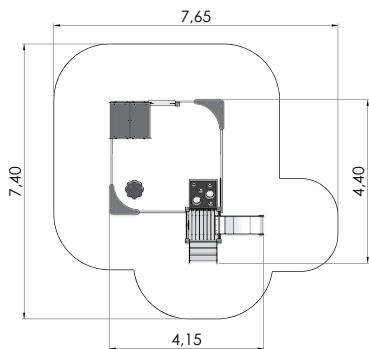
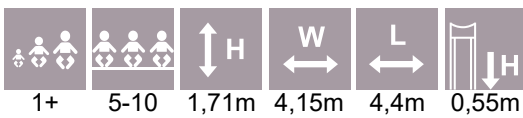
PLAY CENTRES



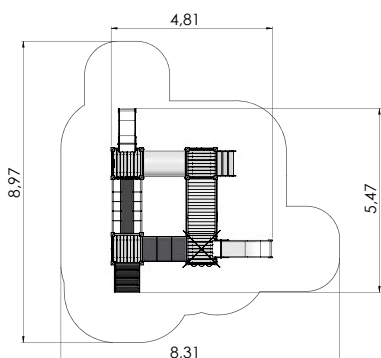
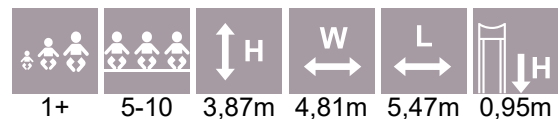
LM010 Play Centre BRITA



LM009 Play Centre ANETE



LMK004 Play Centre PAULA



LM016 Play Centre AMANDA



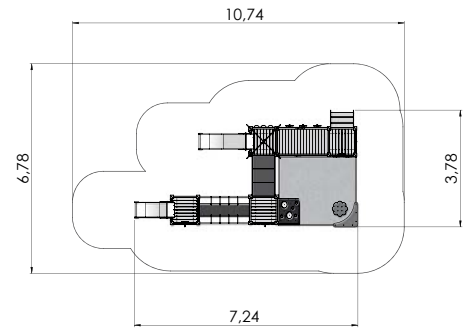
PLAY CENTRES

COLOR OPTIONS:



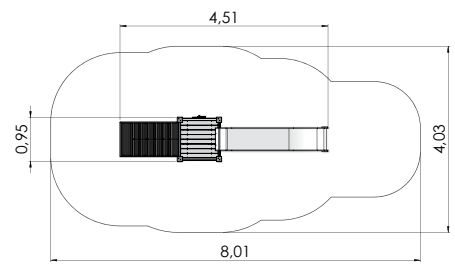
LM017 Play Centre AMANDUS

1+	6-12	3,94m	3,78m	7,24m	0,95m



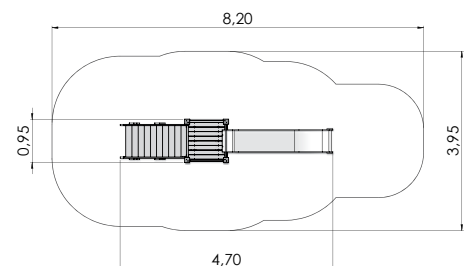
LM207 Slide BEN

4+	3-6	2,85m	0,95m	4,51m	1,55m

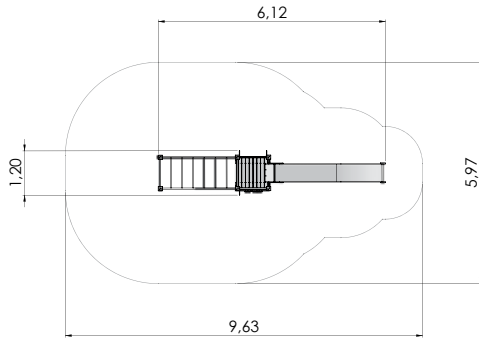
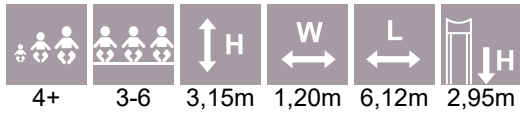


LM207S Slide EVE

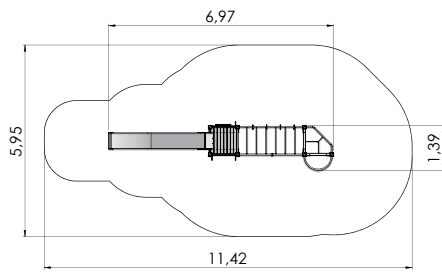
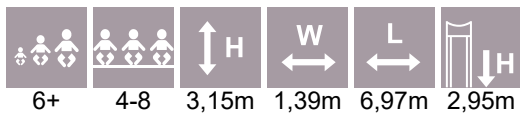
1+	3-6	2,85m	0,95m	4,70m	1,55m



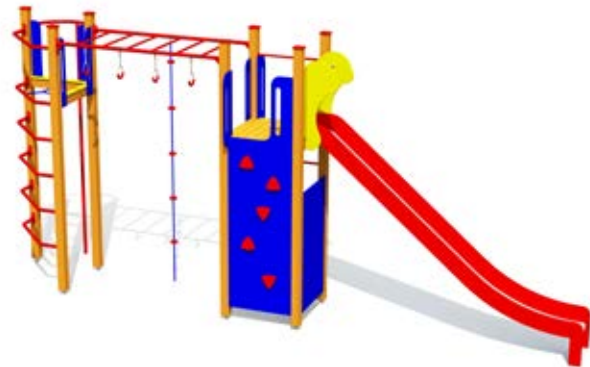
PLAY CENTRES



LM231-1 Play centre CARLOS



LM231 Play centre CARL

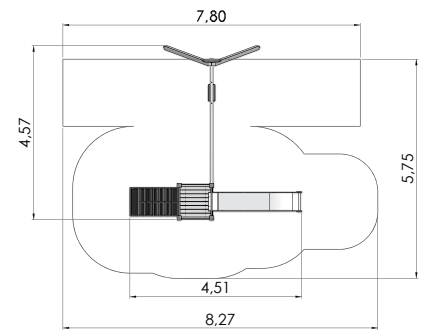
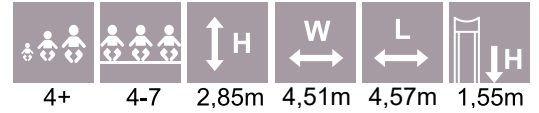


PLAY CENTRES

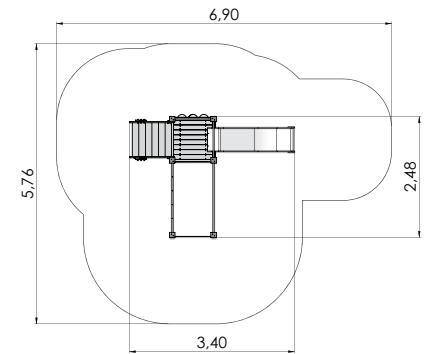
COLOR OPTIONS:



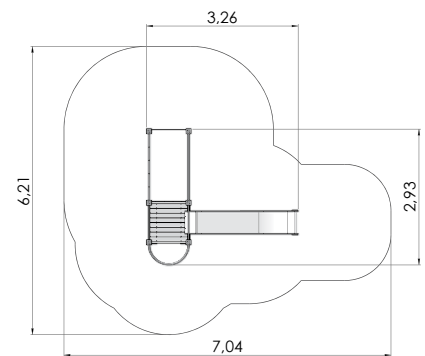
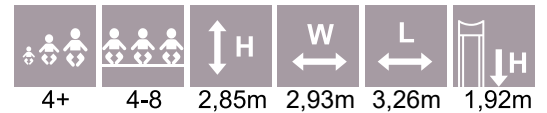
LM211 Play Centre PAUL



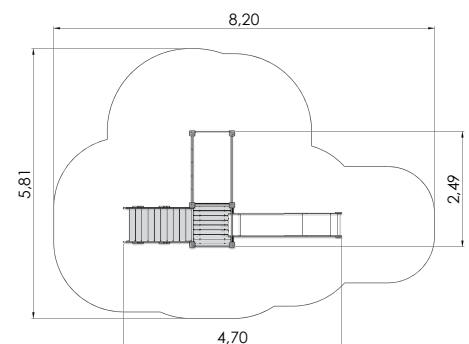
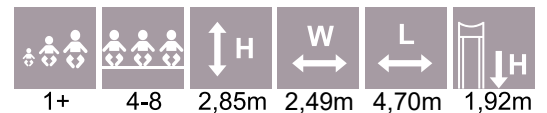
LM003 Play Centre A COB



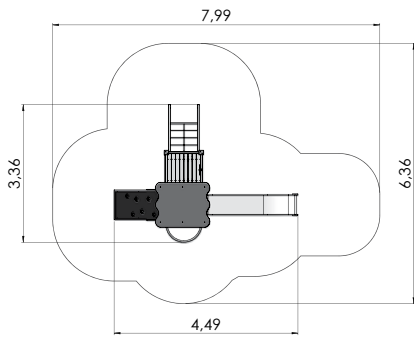
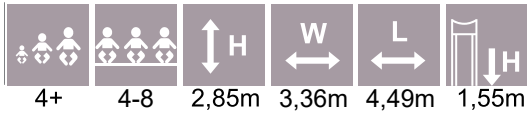
LM214-1 Play Centre HARDY



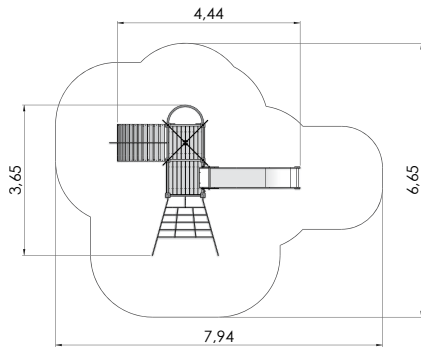
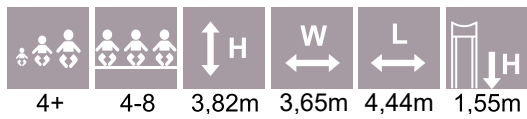
LM214 Play Centre HARRY



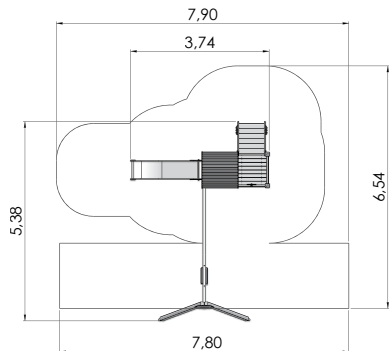
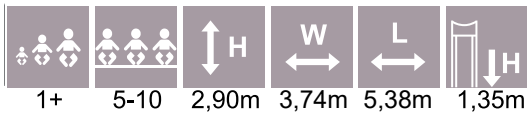
PLAY CENTRES



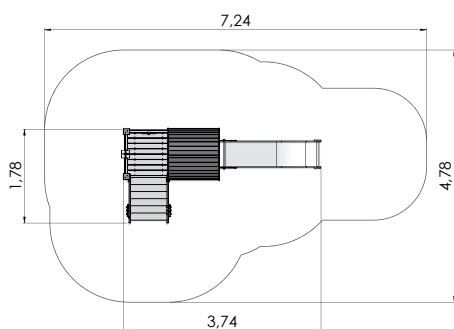
LM103 Play Centre ROBERT



LM219 Play Centre CONRAD



LM210 Play Centre MONA



LM201 Slide EMMA

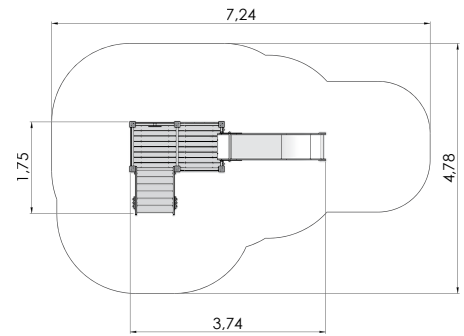


PLAY CENTRES

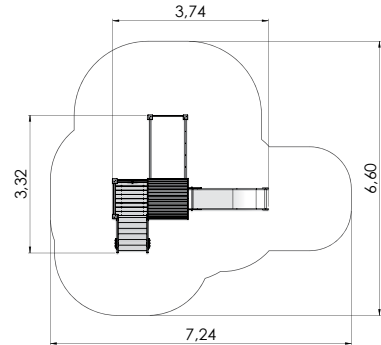
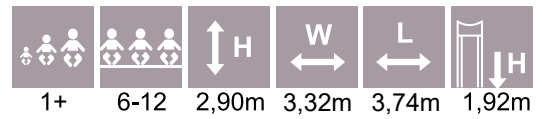
COLOR OPTIONS:



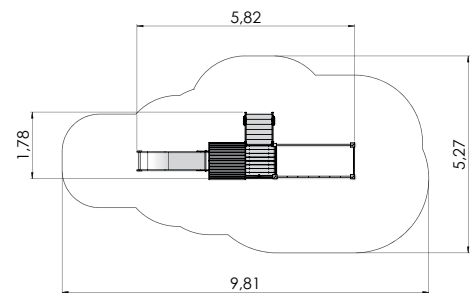
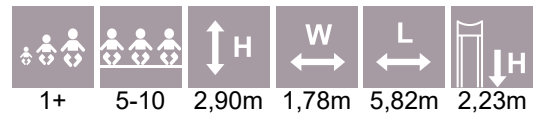
LM200 Slide LARS



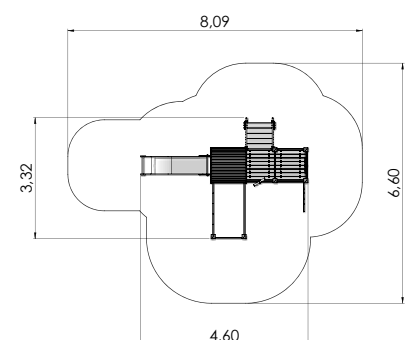
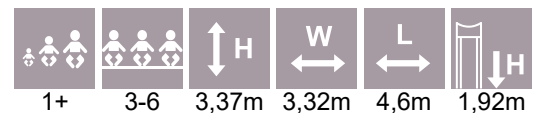
LM202 Play Centre MARIA



LM202-1 Play Centre MARIE

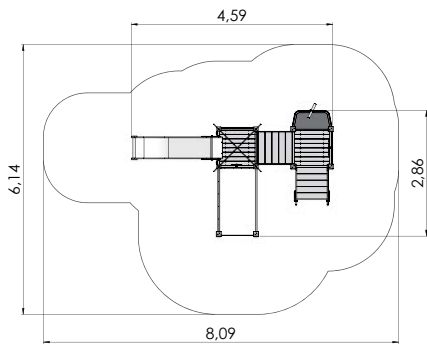
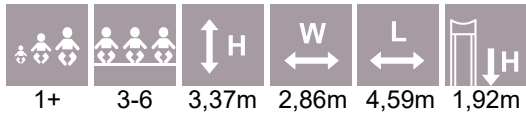


LM202-2 Play Centre MARION

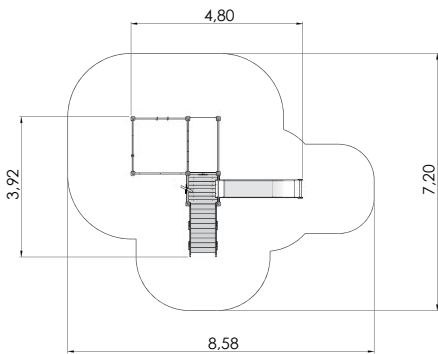
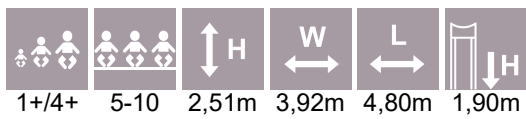


PLAY CENTRES

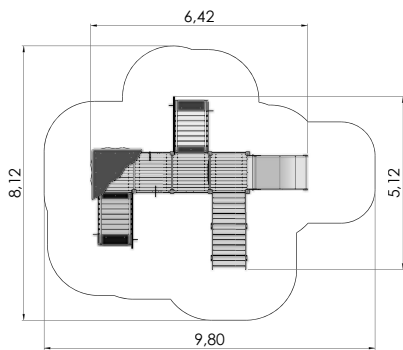
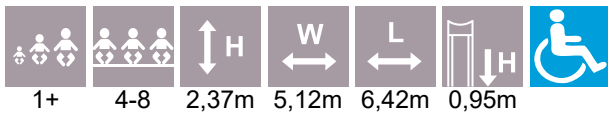
LM202-3 Slide MARIUS



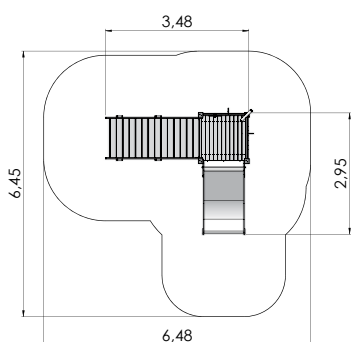
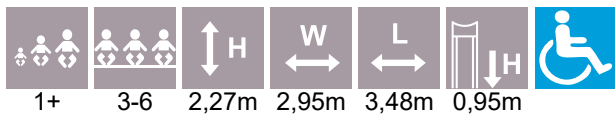
LM214-2 Play Centre with Climbing Frame HOLLY



LM223 Play Centre THERESA



LM224 Slide THEO

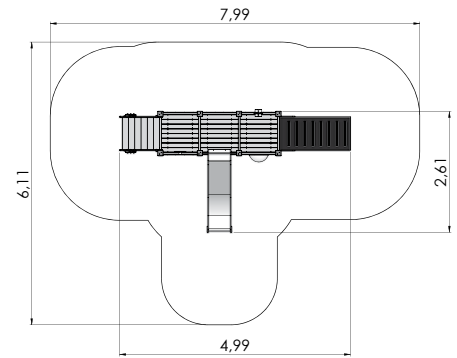
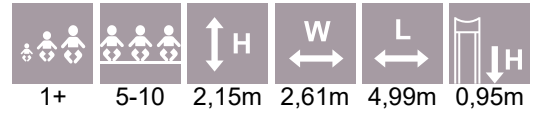


PLAY CENTRES

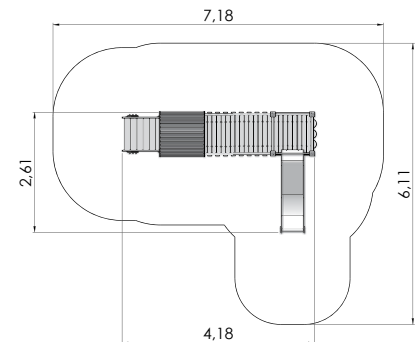
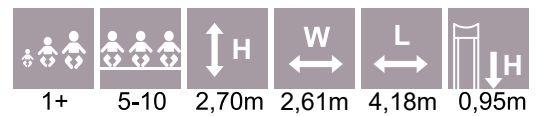
COLOR OPTIONS:



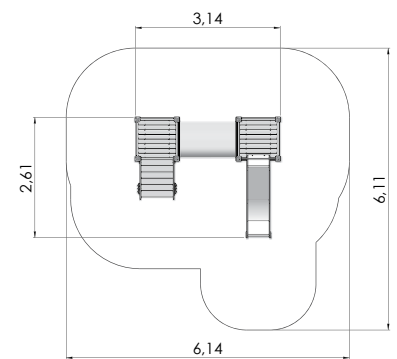
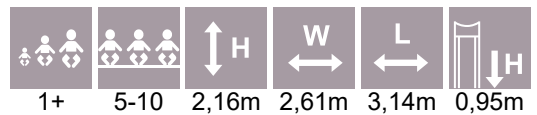
LM005 Play Centre OSCAR



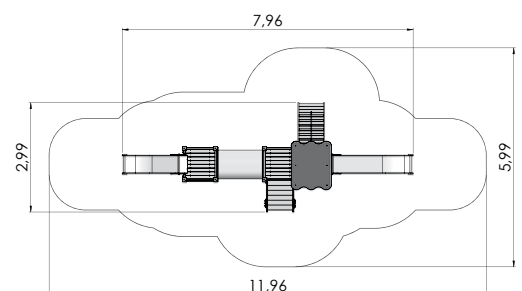
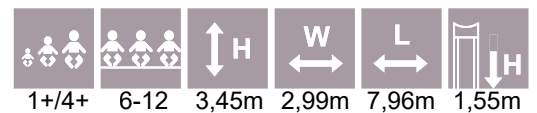
LM006 Play Centre LAURA



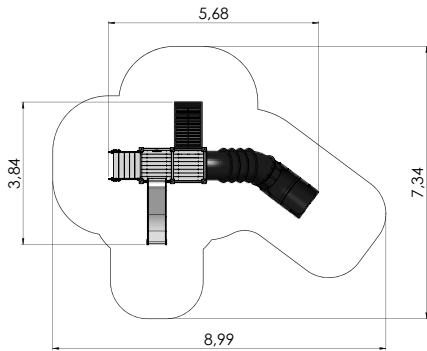
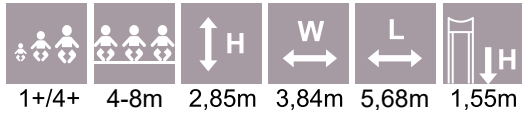
LM006-1 Play Centre LAURI



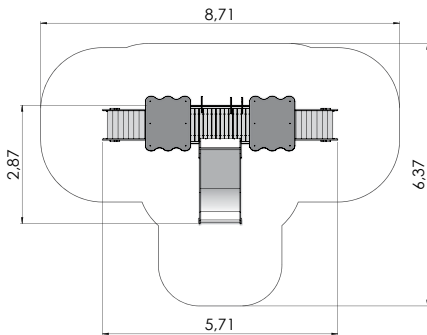
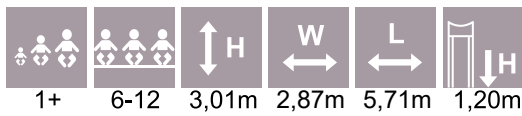
LM105 Play Centre PETERI



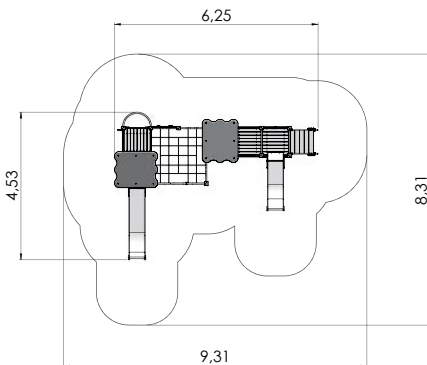
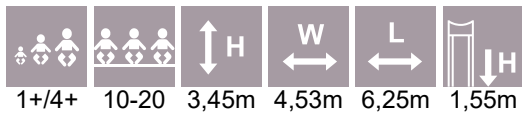
PLAY CENTRES



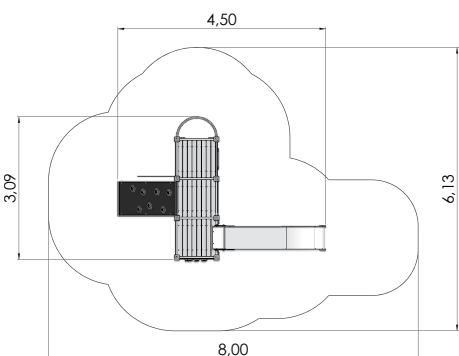
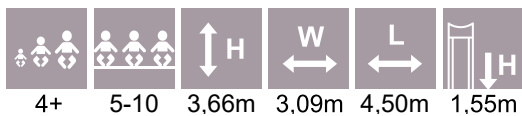
LM101 Play Centre *MARCUS*



LM209 Play Centre *OLIVER*



LM228 Ply Centre *FREDERIK*



LM218 Play Centre *INGRID*





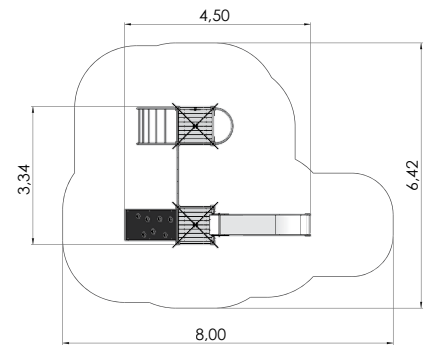
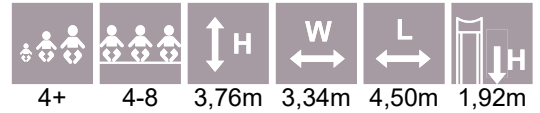


PLAY CENTRES

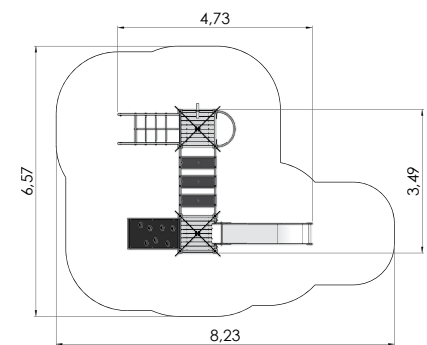
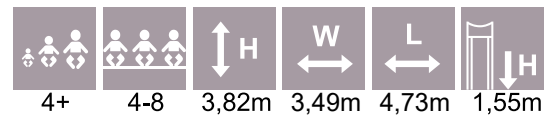
COLOR OPTIONS:



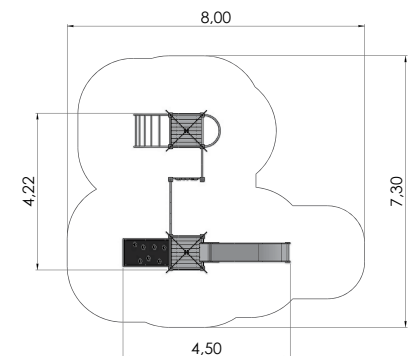
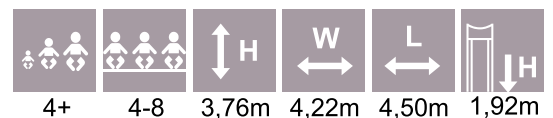
LM217-1 Play Centre HEDVIG



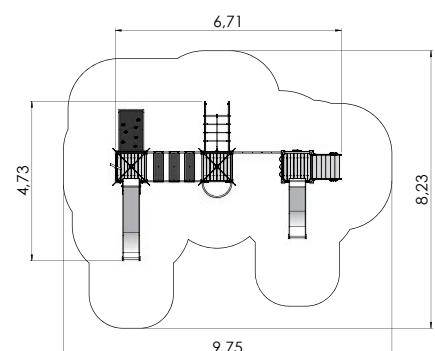
LM213 Play Centre DANIEL



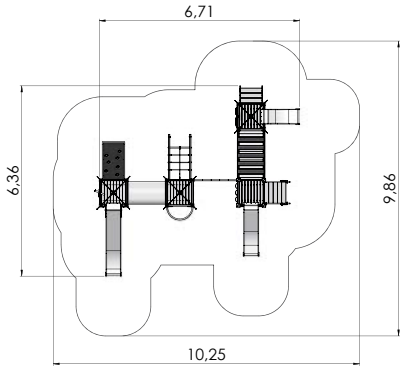
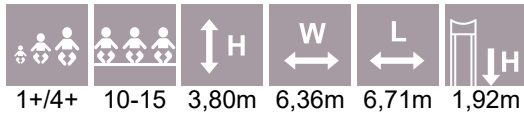
LM217 Play Centre HARALD



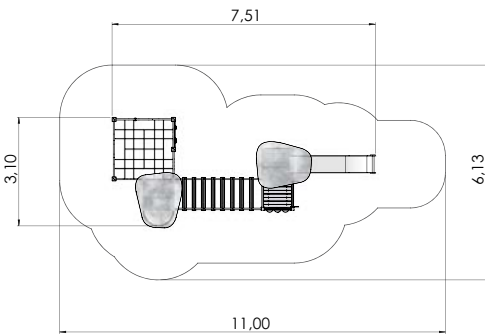
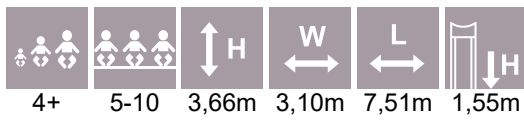
LM213-1 Play Centre DAGMAR



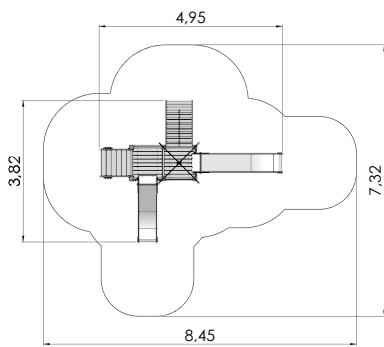
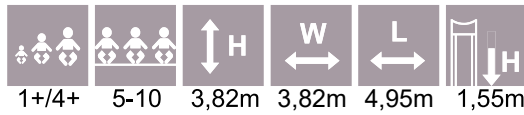
PLAY CENTRES



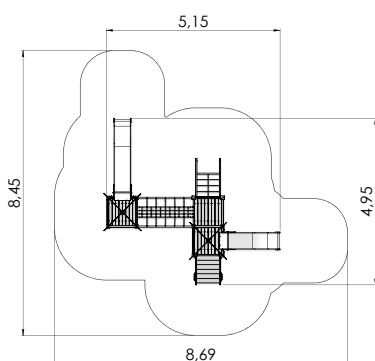
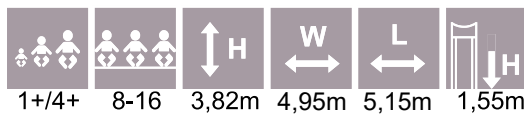
LM213-2 Play Centre DURREL



LM227 Play Centre FRANCIS



LM100 Play Centre REGINA



LM102 Play Centre HANNA





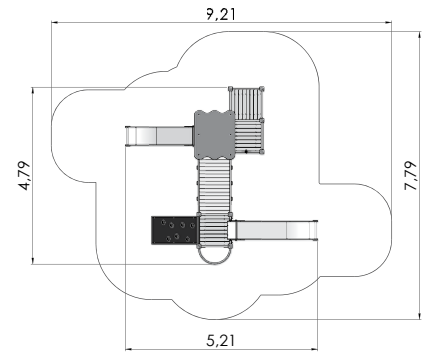
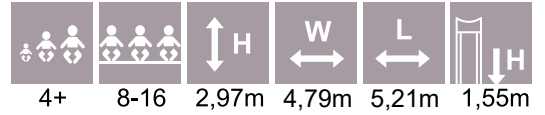


PLAY CENTRES

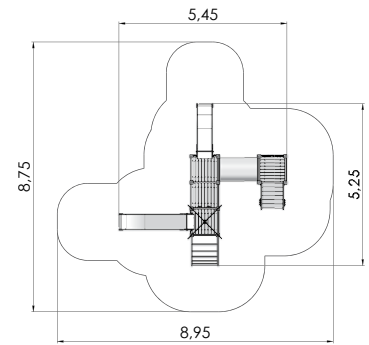
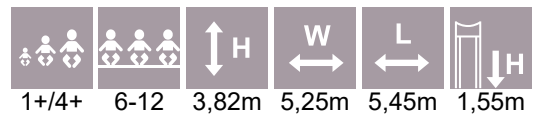
COLOR OPTIONS:



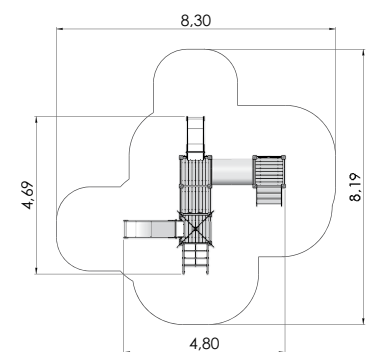
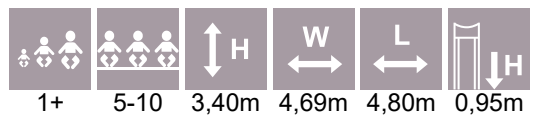
LM203 Play Centre RICHARD



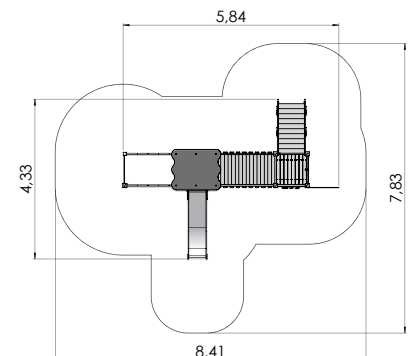
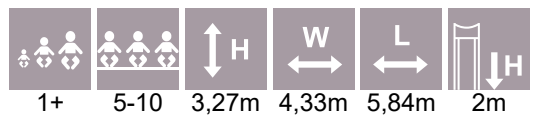
LM222 Play Centre ISABEL



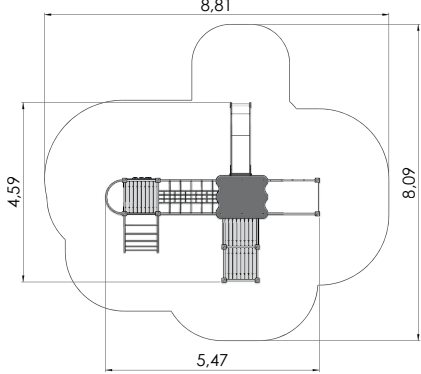
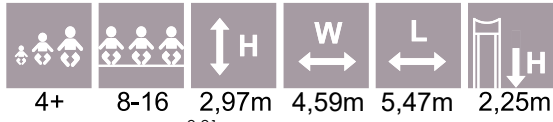
LM222-1 Play Centre ISABELLA



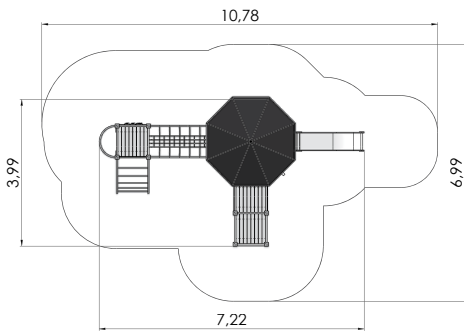
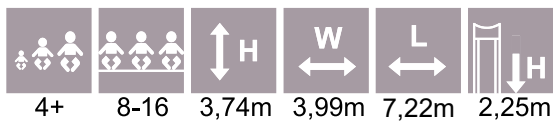
LM221 Play Centre ANNELY



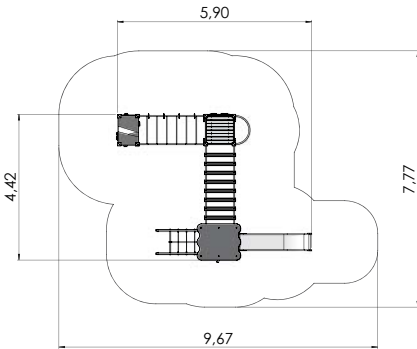
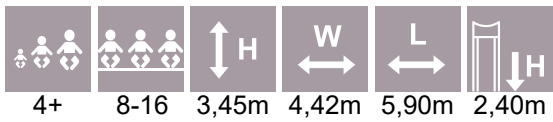
PLAY CENTRES



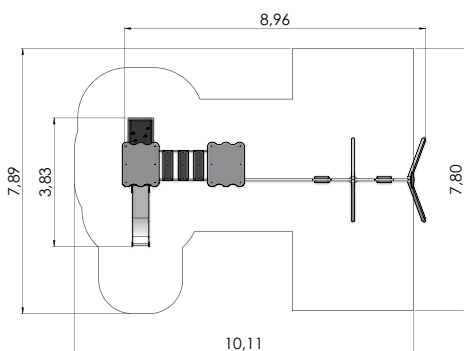
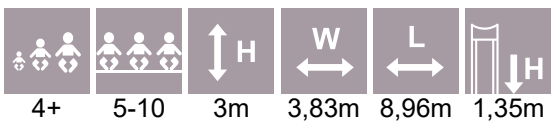
LM205 Play Centre REBECCA



LM220 Play Centre HERMANN



LM225-1 HANNA



LM225 Play Centre HANS





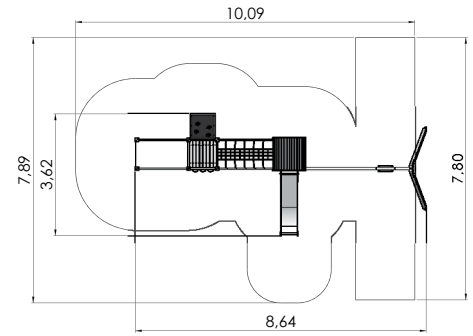
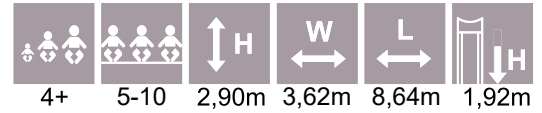


PLAY CENTRES

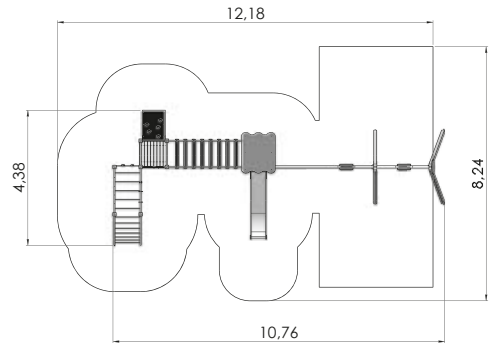
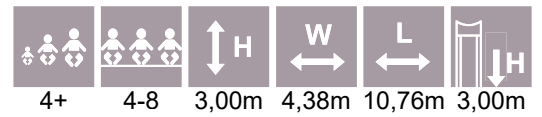
COLOR OPTIONS:



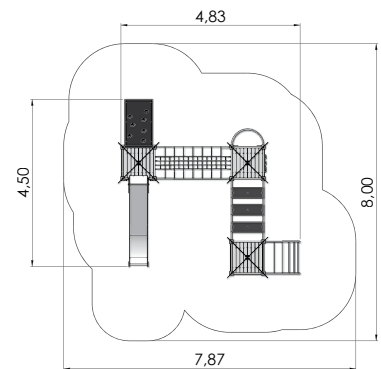
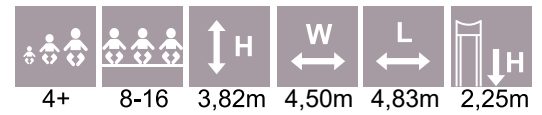
LM215 Play Centre LINCOLN



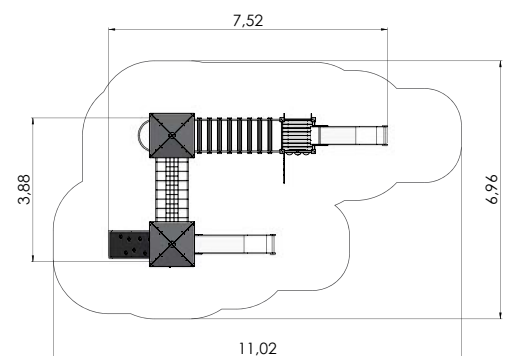
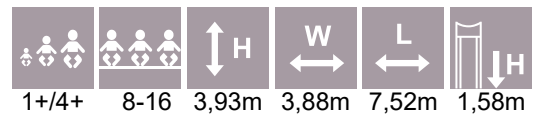
LM225-2 Play Centre HECTOR



LM212 Play Centre ANNABEL

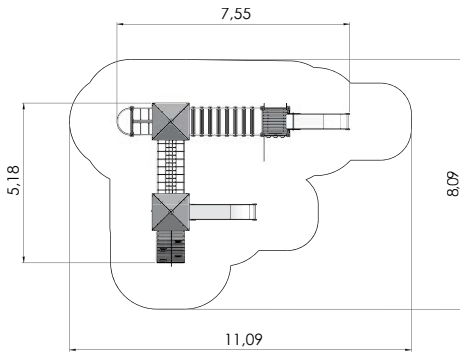
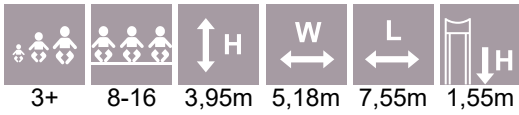


LM226 Play Centre ANDREAS

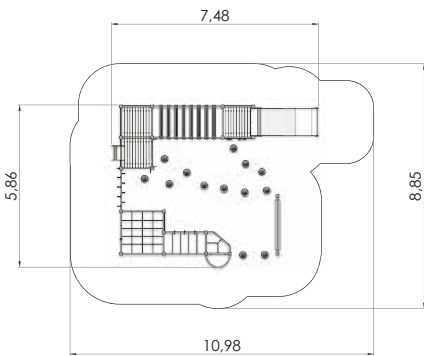
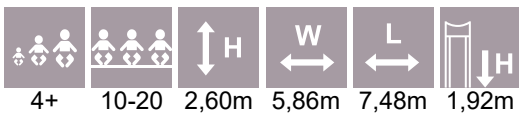


PLAY CENTRES

LM226-1 Play Centre EVELIN



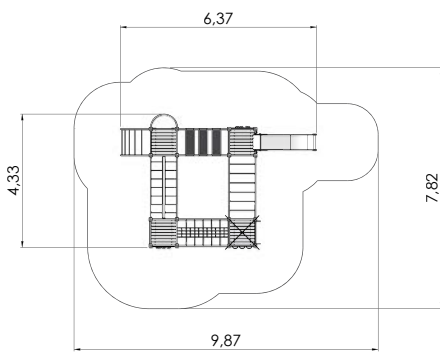
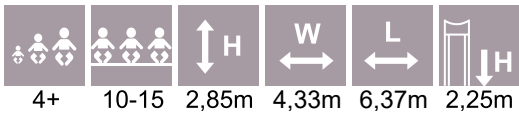
LM229 Play Centre DENIZ



NEW!

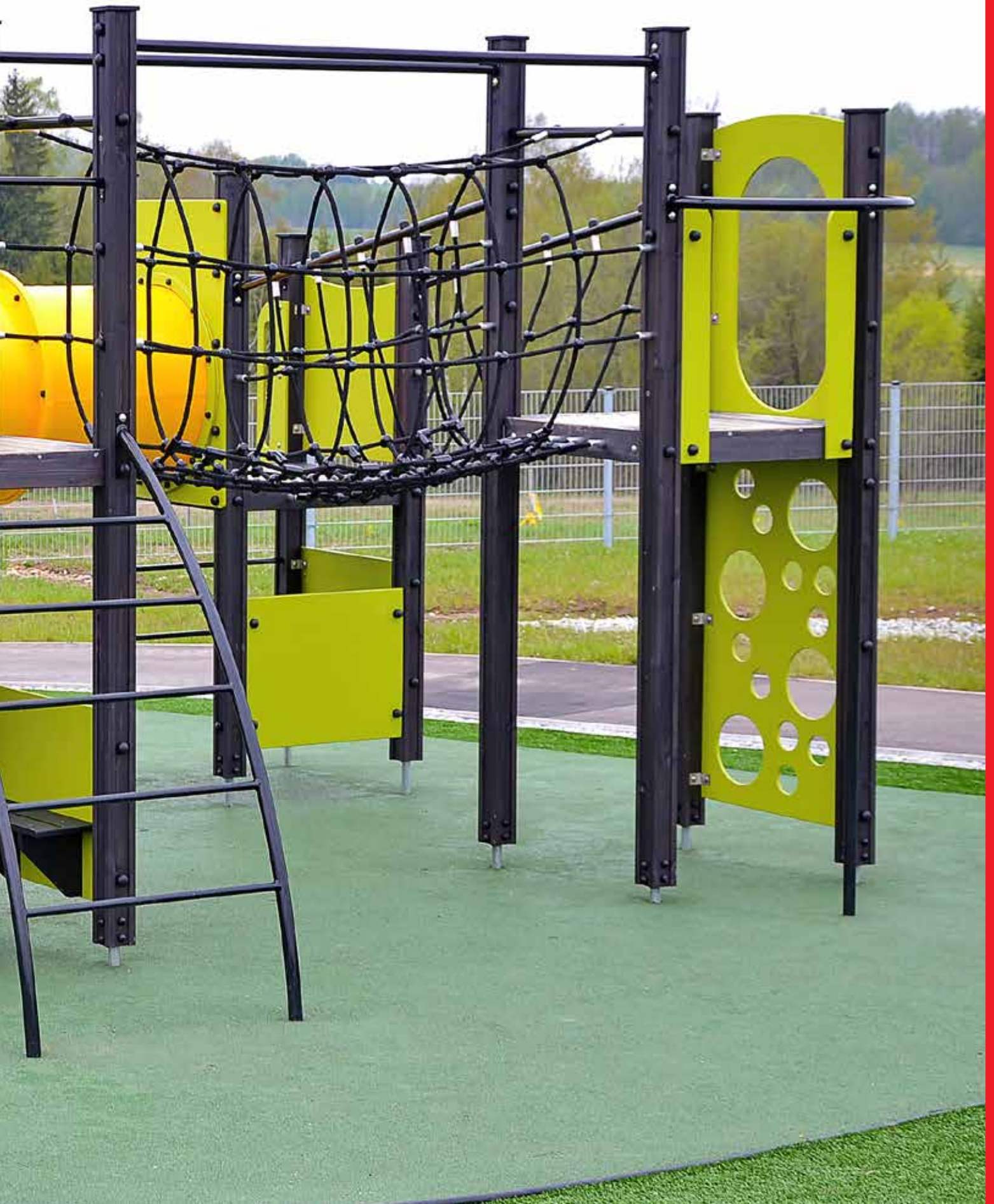


LM208-1 Play Centre ALEXANDRA



PLAY CENTRES



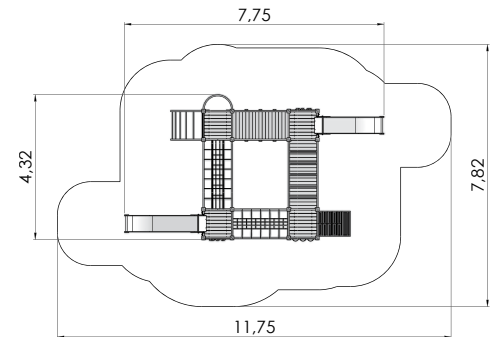
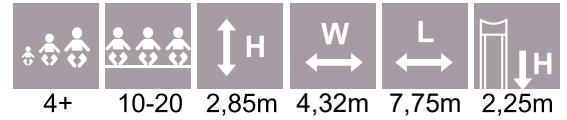


PLAY CENTRES

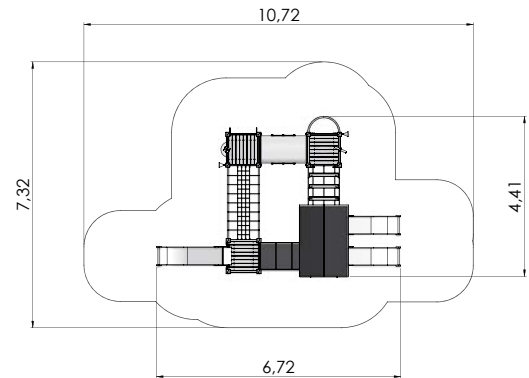
COLOR OPTIONS:



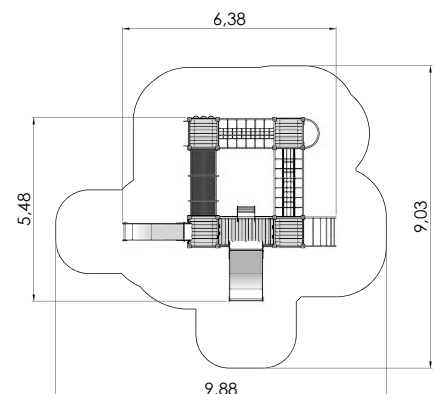
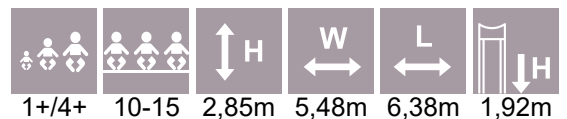
LM208 Play Centre ALEXANDER



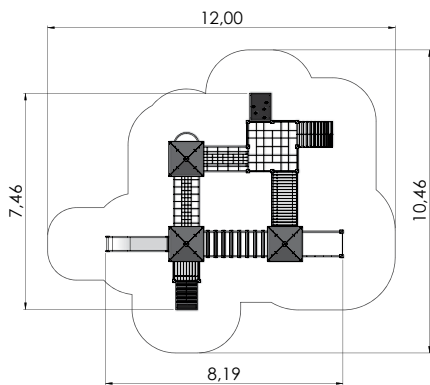
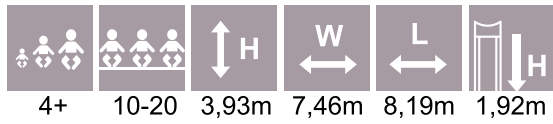
LM018 Play Centre RAUL



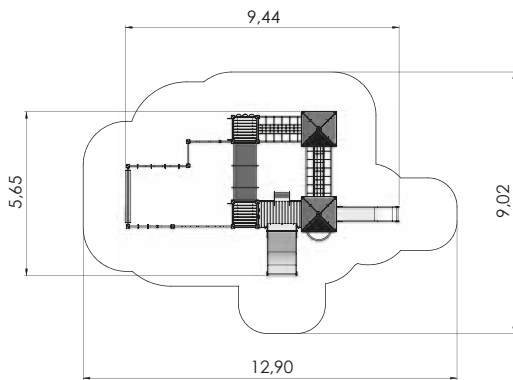
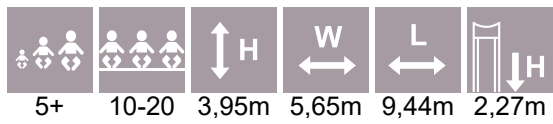
LM208-2 Play Centre ALBERTO



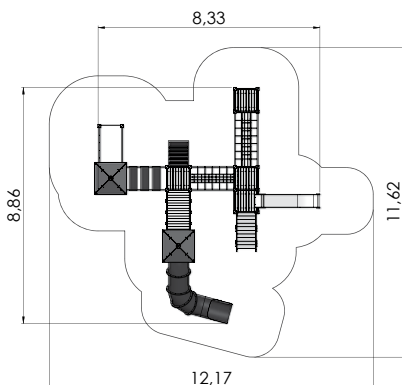
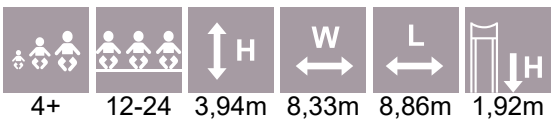
PLAY CENTRES



LM310 Play Centre ELISABETH



LM232 Play Centre ARTHUR



LM300-7 Multi Activity Centre SEBASTIAN



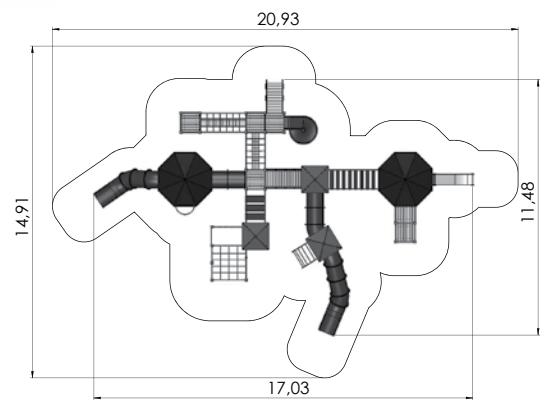
PLAY CENTRES

COLOR OPTIONS:



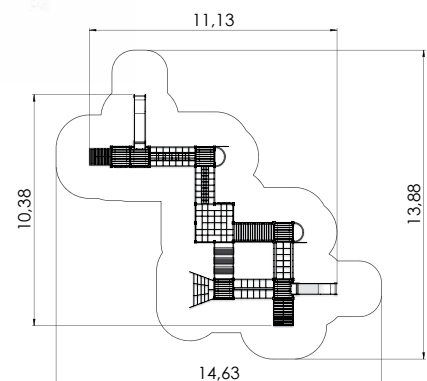
LM300 Play Centre FERDINAND

1+4+	15-30	4,30m	11,48m	17,03m	1,92m

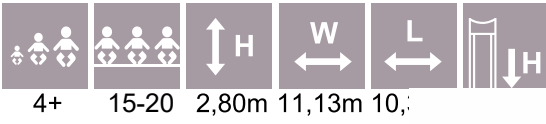


LM300-3 Multi Activity Centre HARBOUR Mini

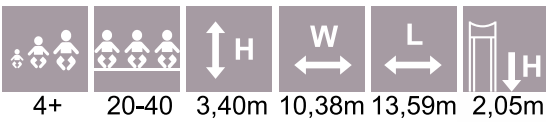
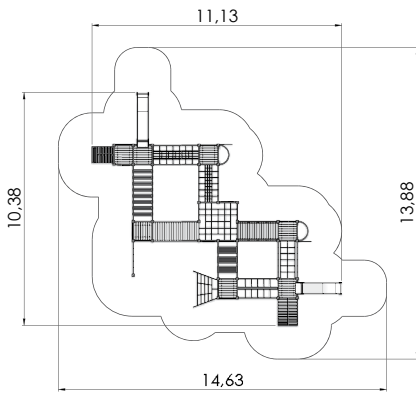
4+	12-24	2,80m	11,13m	10,38m	1,55m



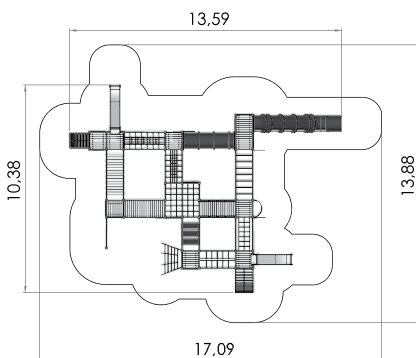
PLAY CENTRES



LM300-2 Multi Activity Centre HARBOUR Midi



LM300-1 Multi Activity Centre HARBOUR Max



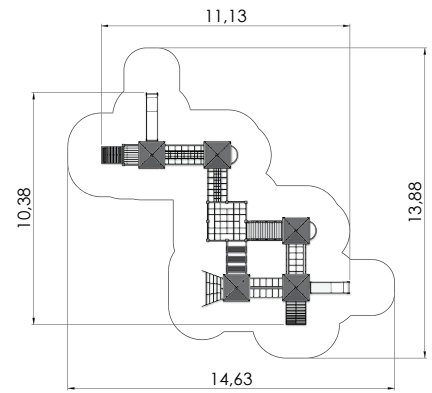
PLAY CENTRES

COLOR OPTIONS:



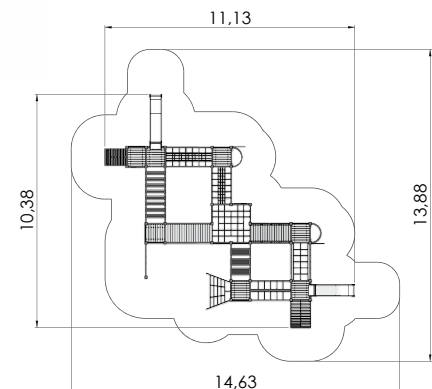
LM300-6
Multi Activity Centre OLD TOWN Mini

4+	12-24	3,96m	11,13m	10,38m	1,55m



LM300-5
Multi Activity Centre OLD TOWN Midi

4+	12-24	3,96m	11,13m	10,38	1,92m





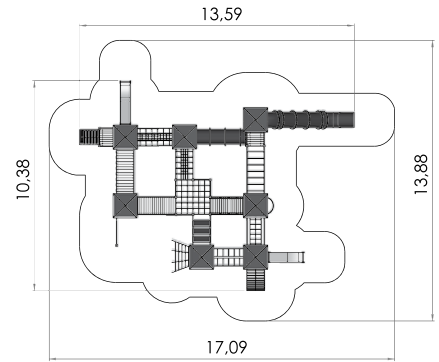
PLAY CENTRES

COLOR OPTIONS:



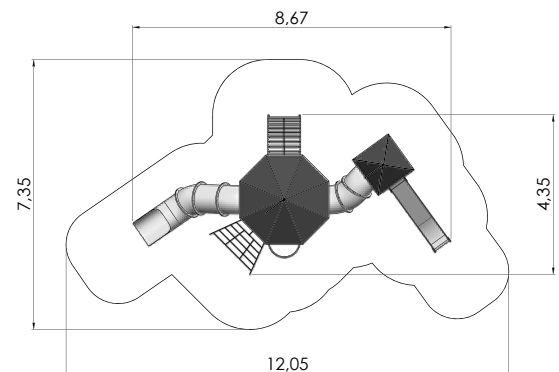
LM300-4
Multi Activity Centre OLD TOWN Max

4+	20-40	4,36m	10,38m	13,59m	2,05m



LM220-1 Play Centre WILHELM

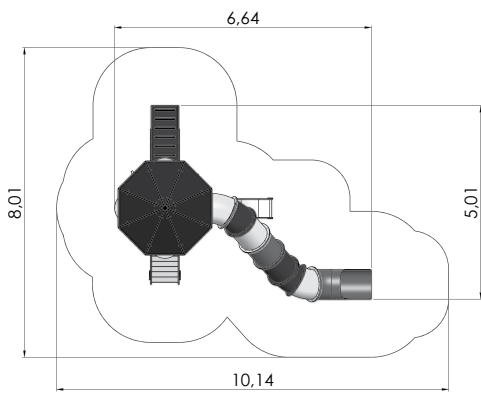
4+	8-16	4,34m	4,35m	8,67m	1,55m



PLAY CENTRES

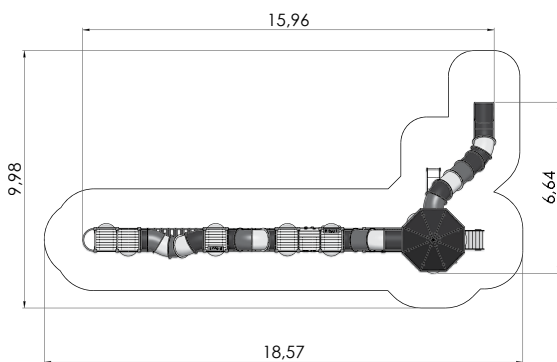
1+/4+	8-16	5,56m	5,01m	6,64m	0,95m

LM311-1 Play Centre MARGOT



1+/4+	50-100	5,56m	6,64m	15,96m	1,55m

LM311 Multi Activity Centre KATARINA



0000



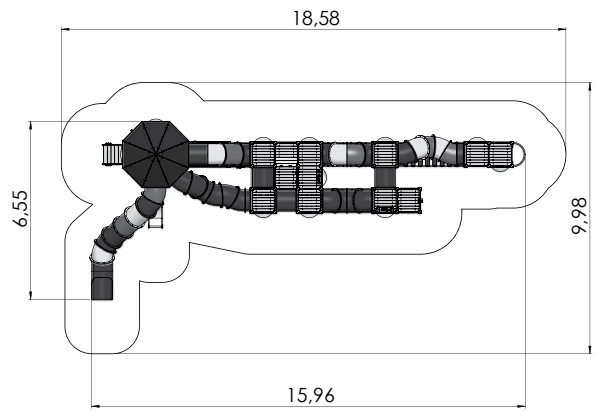
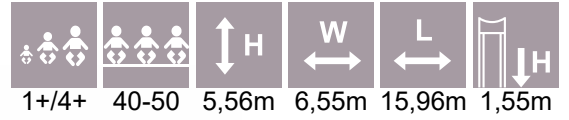


PLAY CENTRES

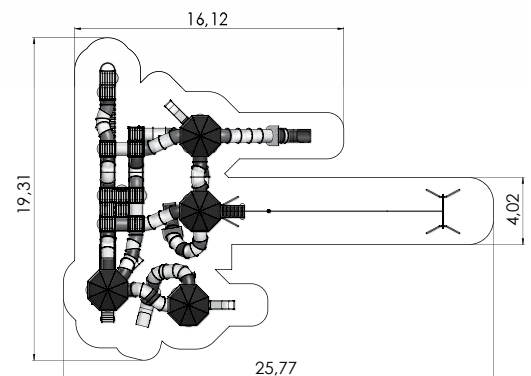
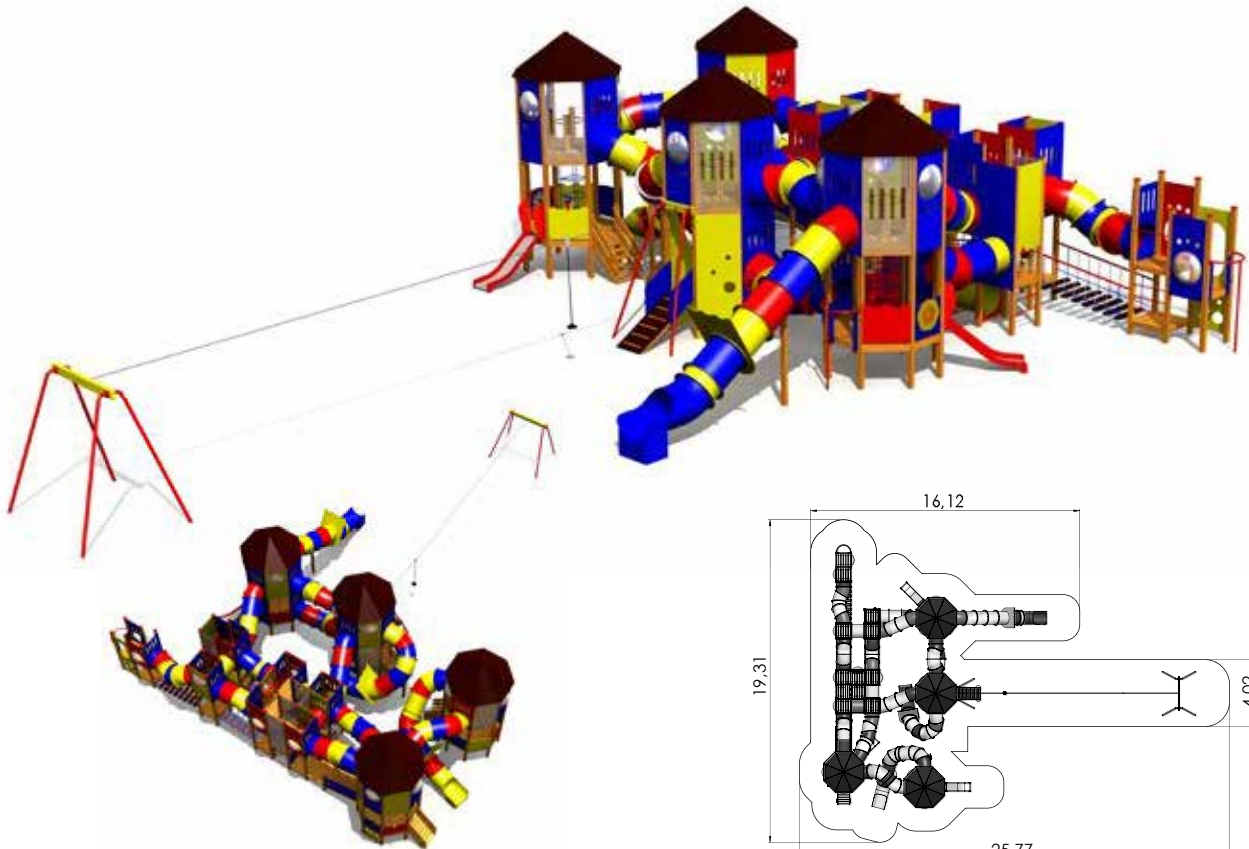
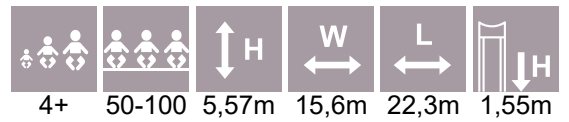
COLOR OPTIONS:



LM312 Multi At ivity Centre PETER THE GREAT

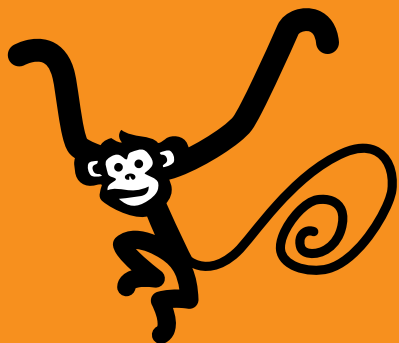


LM313 Play Centre IVAN IV



CLIMBING FRAMES





RS001 Climbing frame RHINO 131



RS105 Climbing frame RAINBOW 131



RS212 Climbing frame CAT 131



RS101 CHEESE WALL 131



RS112-2 Climbing frame VIVO M 132



RS112 Three-part climbing frame VIVO 132

CLIMBING FRAMES



RS115 Climbing frame SPIDERWEB 132



RS117 Climbing frame TWIST 134



RS110-2 L Climbing frame HEXAGON 2 135



RS116 Climbing frame MONKEY 132



RS108 Climbing frame ATHLETES 134



RS123 Climbing frame 135



RS116-1 Climbing frame MONKEY BIG 133



RS122 Climbing frame SQUIRREL 134



RS127 Climbing Frame KOALA 136



RS111 Climbing frame LADDER 133



RS124 Climbing frame TETRA 134



RS125S Climbing frame GIBBON S 136



RS106 Climbing frame MICE 133



RS110 Climbing frame HEXAGON 135



RS125L Climbing frame GIBBON L 136



RS107 Climbing frame SPIDERS 133



RS110-2 Climbing frame HEXAGON 2 135



RS213 Climbing complex GECKO 136

CLIMBING
FRAMES

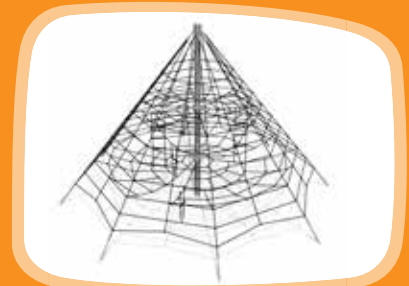
CLIMBING FRAMES



RS128 Climbing complex CIRCLE 137



RS121 Climbing frame DRACO 139



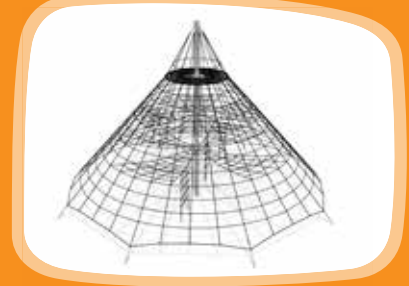
0100450 Climbing Pyramid h. 4.5m 140



RS310 Climbing centre GORILLA 137



RS210 Climbing frame OCTOPUS 139



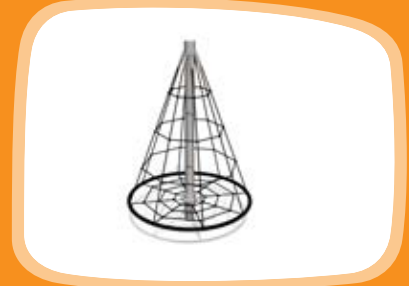
0100650, 0100750 Climbing pyramid 140



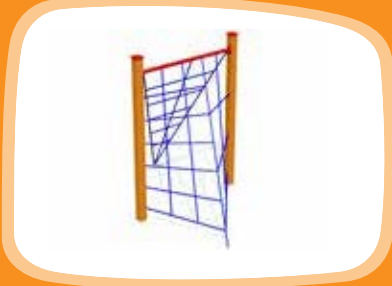
RS100 Climbing net, 3 sections 138



RS201 Tube FOXHOLE 139



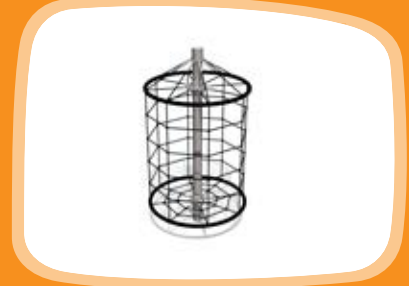
101300 Revolving climbing tower A PLUS 144



RS118 Climbing frame LYRA 138



RS201 S Tube FOXHOLE S 139



0102 Revolving climbing tower B 144



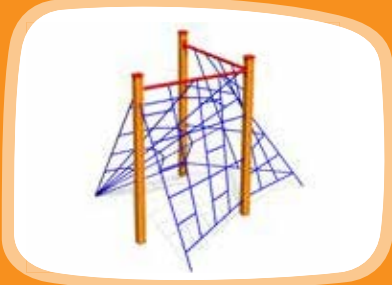
RS119 Climbing frame HYDRA 138



0100250 Climbing Pyramid h. 2.5m 140



0109 Revolving climbing tower C 144



RS120 Climbing frame TRIANGULUM 138

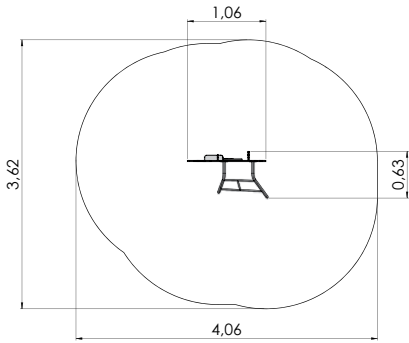


0100300 Climbing Pyramid h. 3m 140

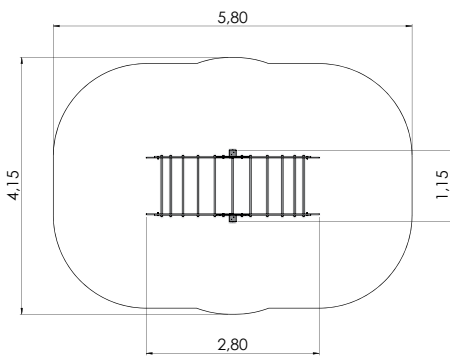
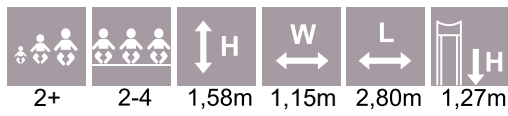
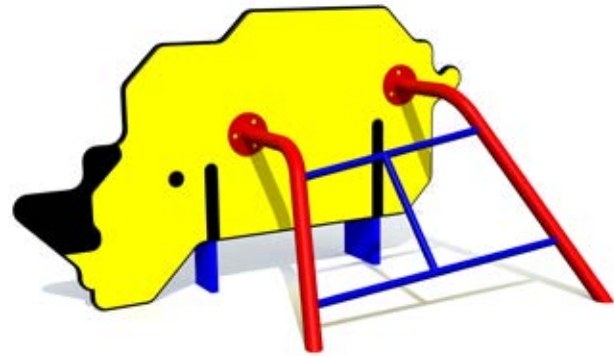


0108 Revolving climbing tower P 144

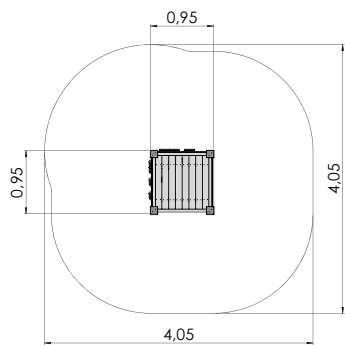
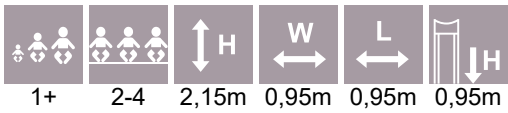
CLIMBING FRAMES



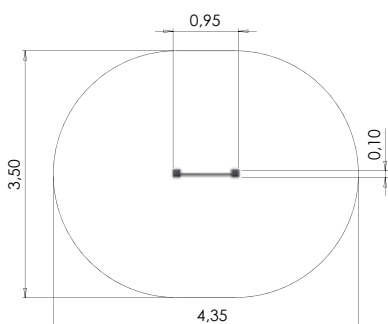
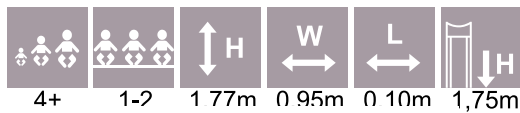
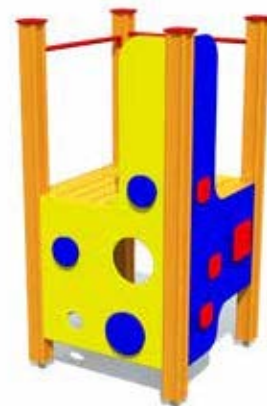
RS001 Climbing frame RHINO



RS105 Climbing frame RAINBOW



RS212 Climbing frame CAT



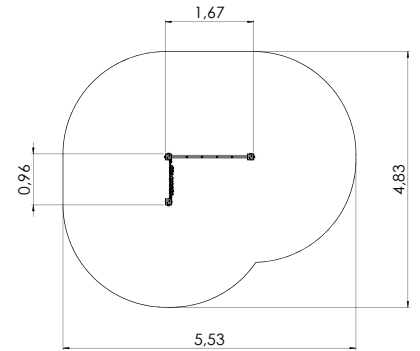
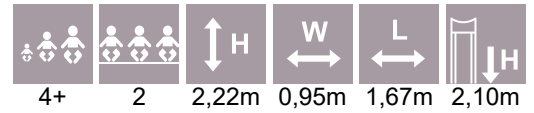
RS101 CHEESE WALL



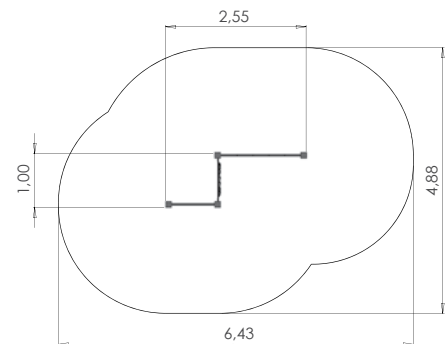
CLIMBING FRAMES



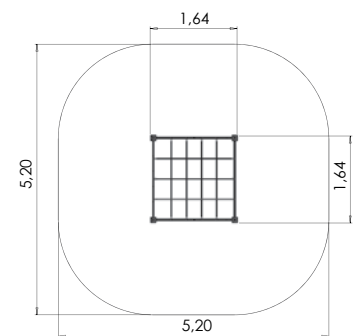
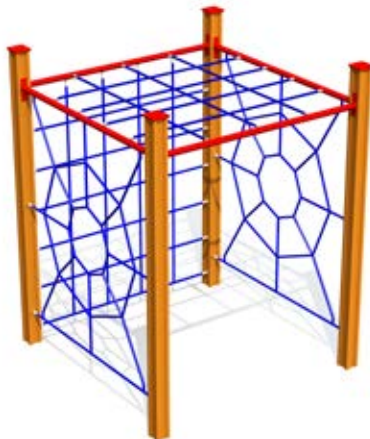
RS112-2 Climbing frame VIVO M



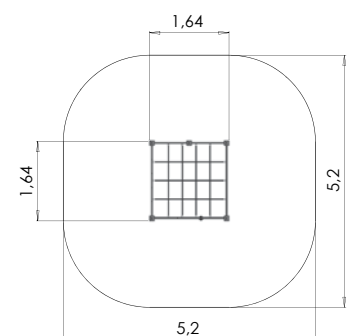
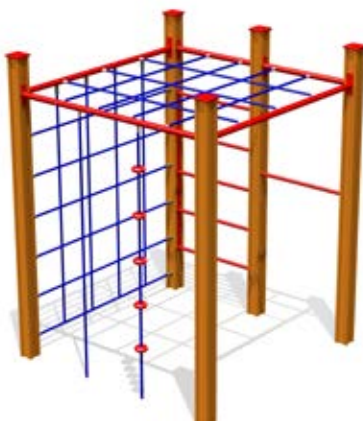
RS112 Three-part climbing frame VIVO



RS115 Climbing frame SPIDERWEB

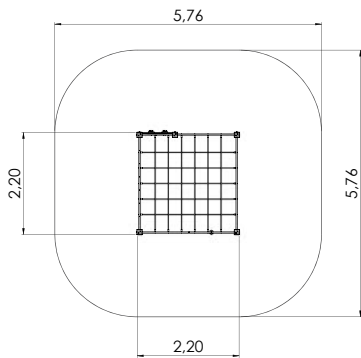


RS116 Climbing frame MONKEY

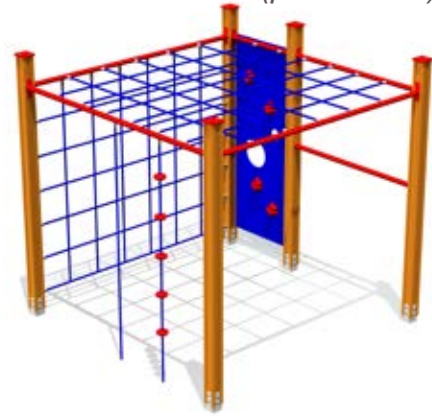


CLIMBING FRAMES

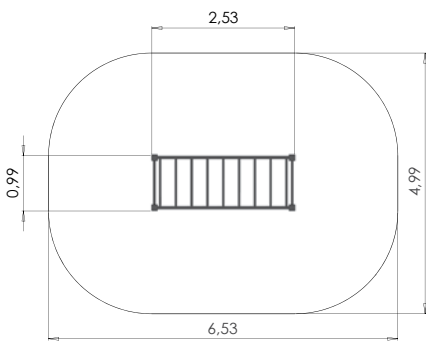
4+	5-10	2,16m	2,20m	2,20m	1,92m



RS116-1 Climbing frame MONKEY BIG (plastic wall)



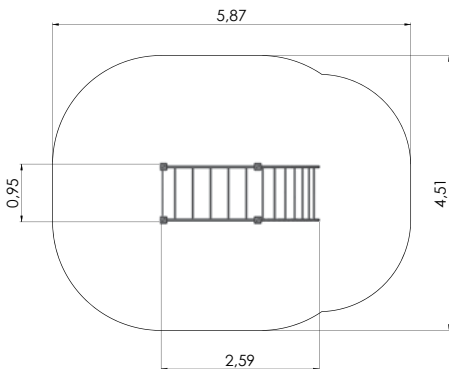
4+	3-6	2,20m	0,99m	2,53m	2,10m



RS111 Climbing frame LADDER



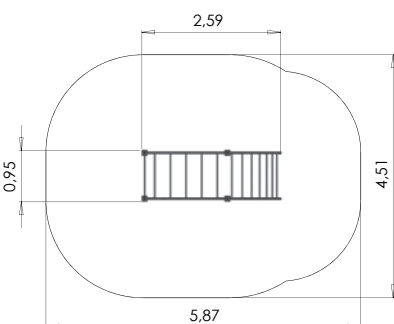
4+	3-6	2,15m	0,95m	2,59m	1,92m



RS106 Climbing frame MICE



4+	4-8	2,15m	0,95m	2,59m	1,92m



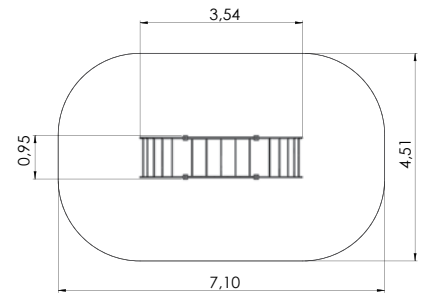
RS107 Climbing frame SPIDERS



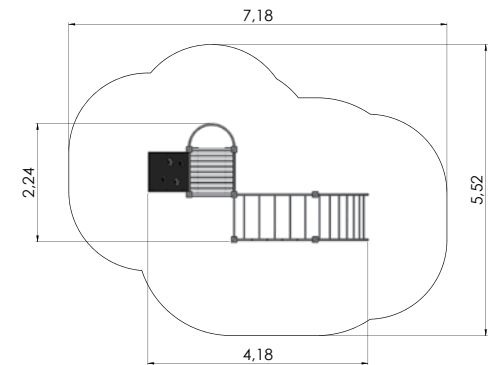
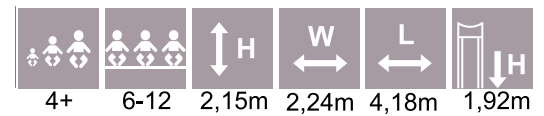
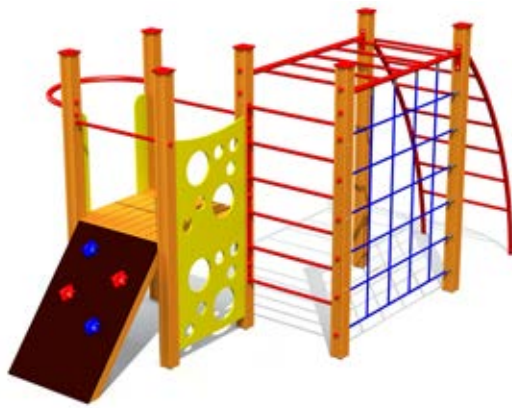
CLIMBING FRAMES



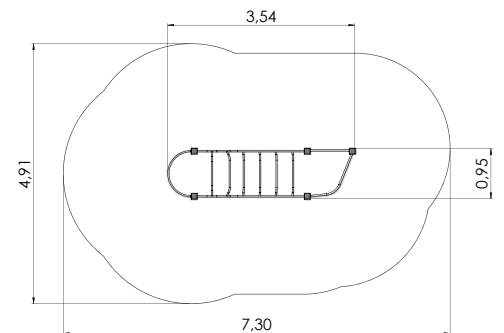
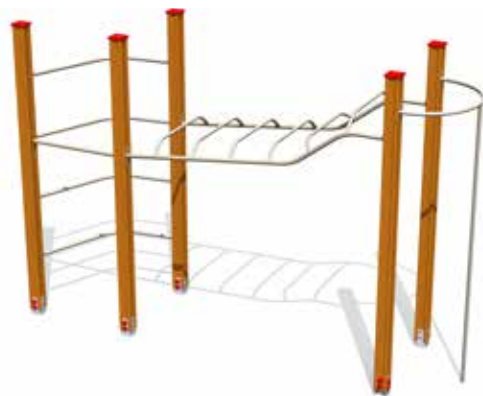
RS117 Climbing frame TWIST



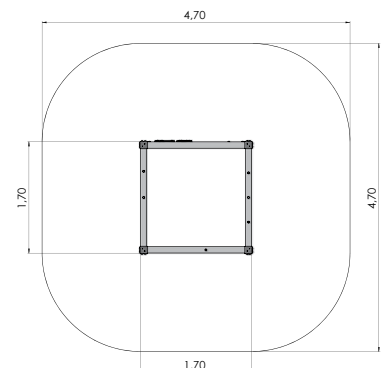
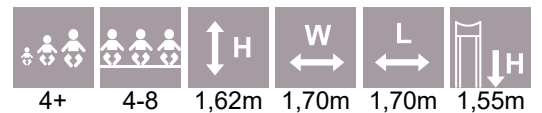
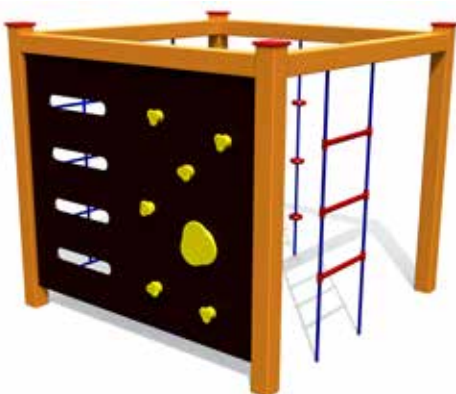
RS108 Climbing frame ATHLETES



RS122 Climbing frame SQUIRREL

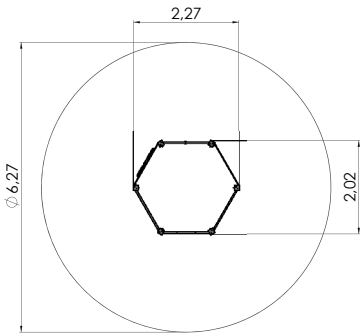


RS124 Climbing frame TETRA



CLIMBING FRAMES

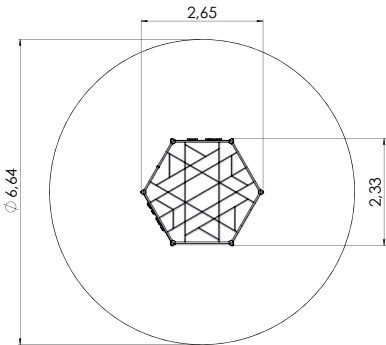
4+	6-12	2,42m	2,02m	2,27m	2,25m



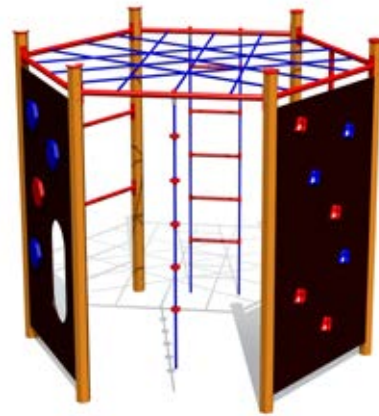
RS110 Climbing frame HEXAGON



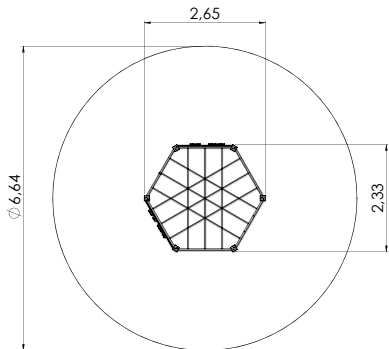
4+	6-12	2,41m	2,65m	2,63m	2,25m



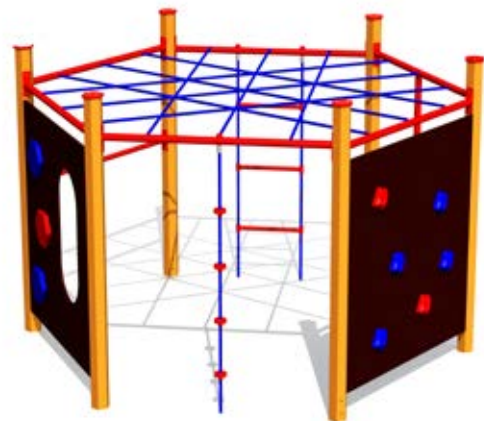
RS110-2 Climbing frame HEXAGON 2



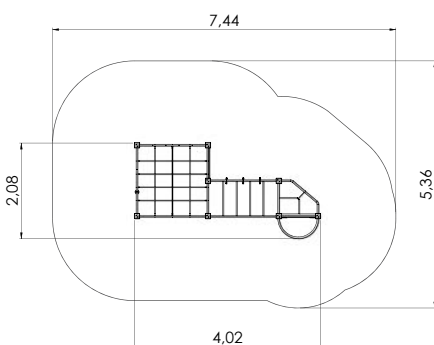
4+	6-12	1,70m	2,33m	2,65m	1,50m



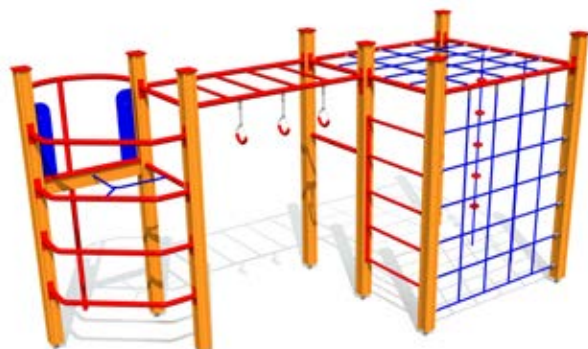
RS110-2 L Climbing frame HEXAGON 2



4+	4-8	2,16m	2,08m	4,02m	1,92m



RS123 Climbing frame

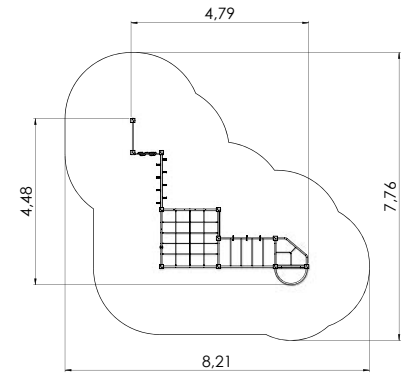
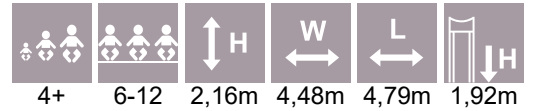
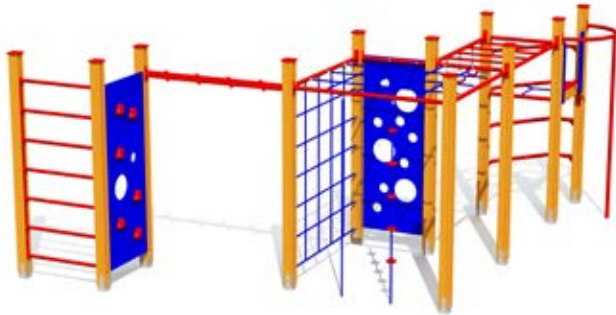


CLIMBING FRAMES



color options: standard forest pistachio forest fuchia forest red autumn standard Fresh MF

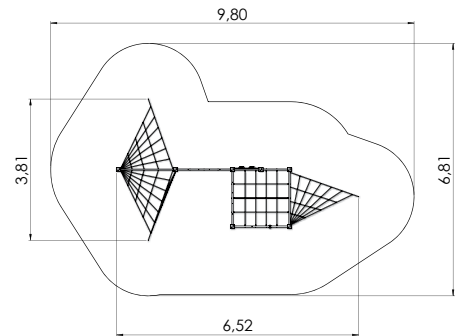
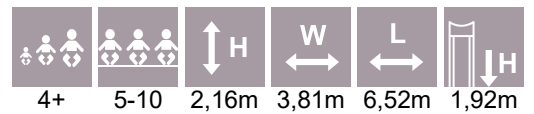
RS127 Climbing Frame KOALA



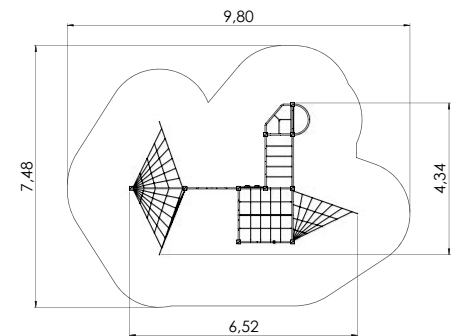
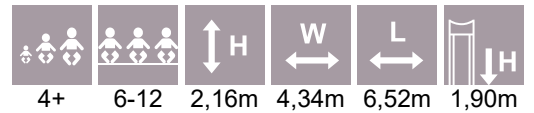
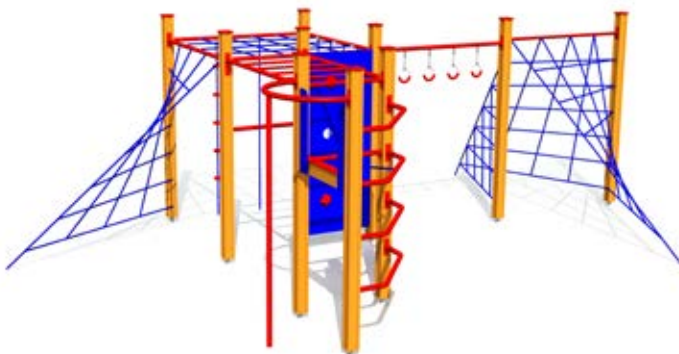
RS125S Climbing frame GIBBON S



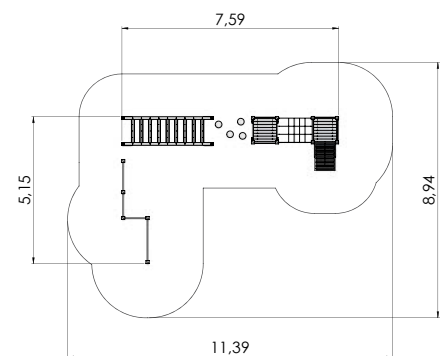
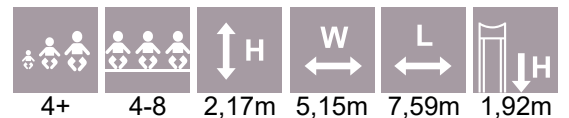
NEW!



RS125L Climbing frame GIBBON L



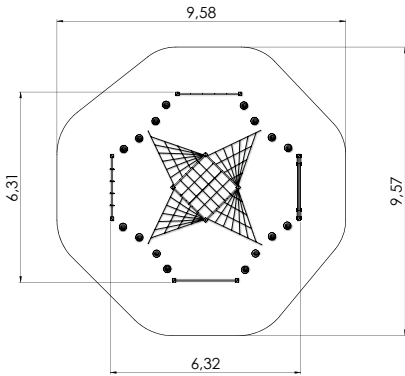
RS213 Climbing complex GECKO



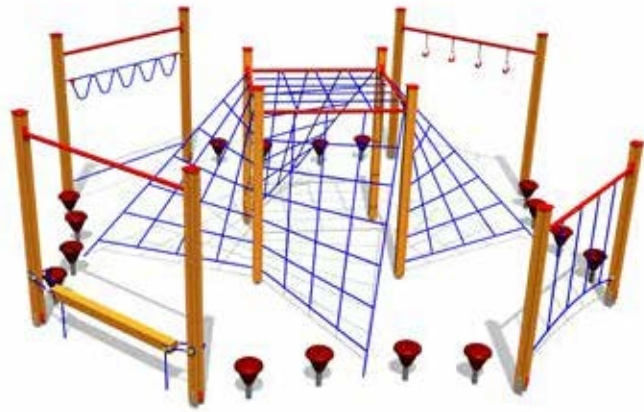
CLIMBING FRAMES

RS128 Climbing o mplex CIRCLE

4+	7-14	2,15m	6,31m	6,32m	1,92m

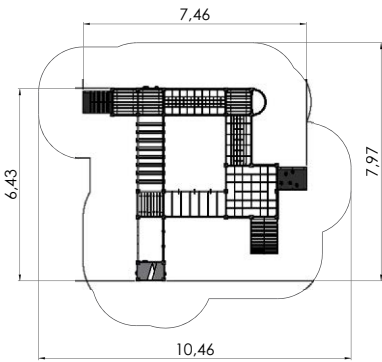


NEW!



RS310 Climbing e ntre GORILLA

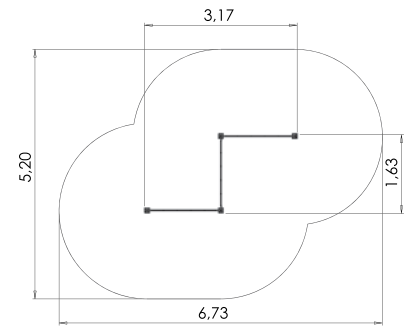
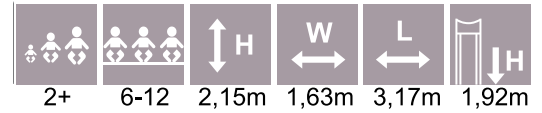
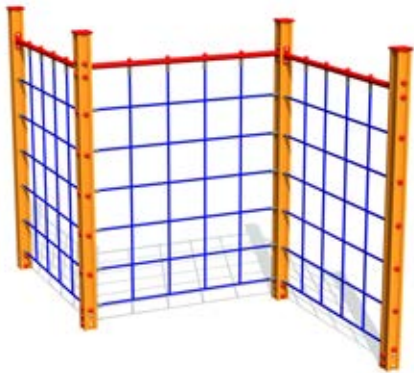
4+	10-20	2,10m	6,43m	7,46m	1,92m



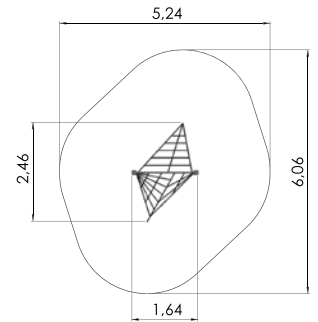
CLIMBING FRAMES



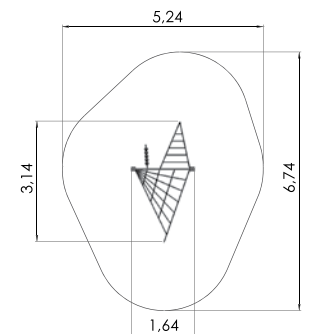
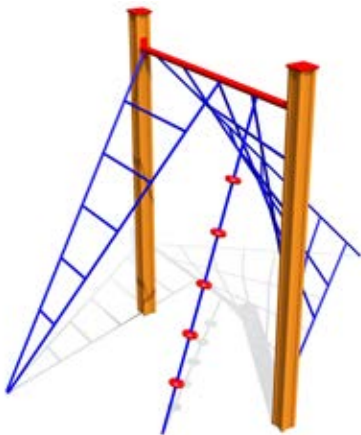
RS100 Climbing net, 3 sections



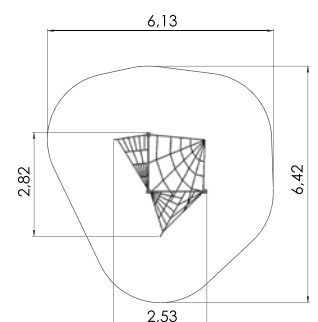
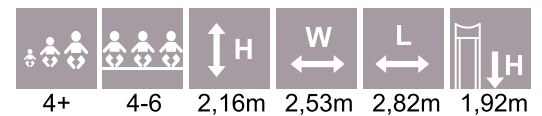
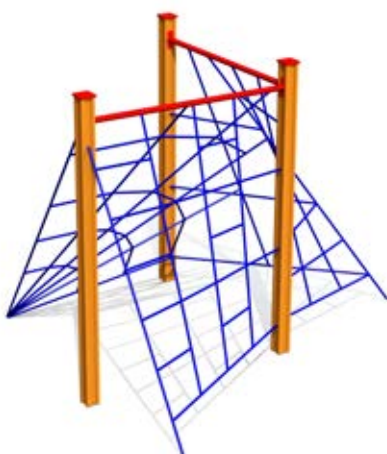
RS118 Climbing frame LYRA



RS119 Climbing frame HYDRA

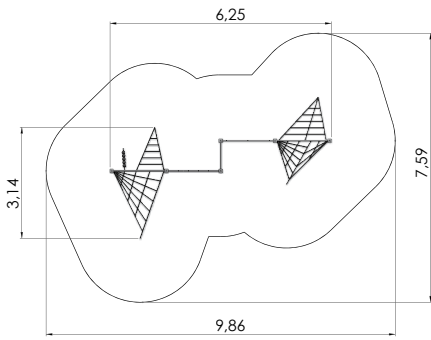


RS120 Climbing frame TRIANGULUM

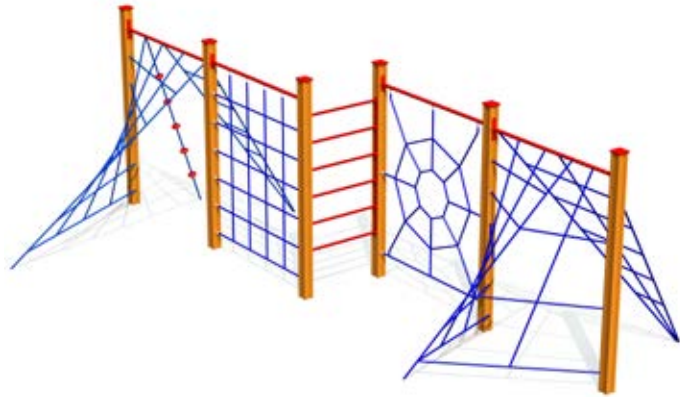


CLIMBING FRAMES

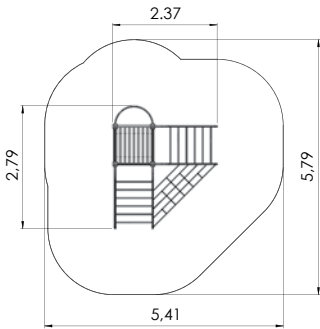
4+	6-12	2,15m	3,14m	6,25m	1,92m	



RS121 Climbing frame DRACO



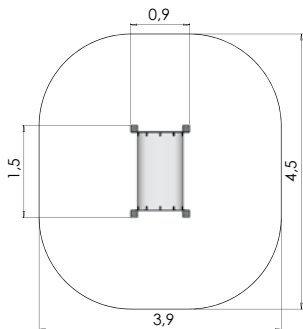
4+	4-8	2,41m	2,37m	2,79m	1,55m	



RS210 Climbing frame OCTOPUS



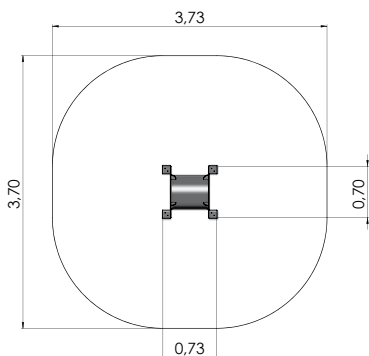
1+	1-4	1,30m	0,90m	1,50m	0,20m	



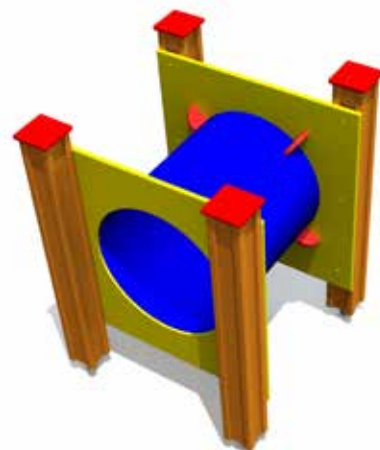
RS201 Tube FOXHOLE



1+	1-2	0,73m	0,70m	0,96m	0,3m



RS201 S Tube FOXHOLE S

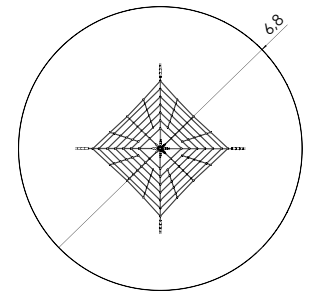
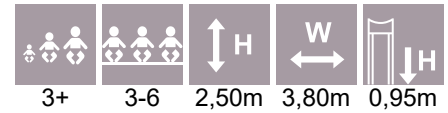


CLIMBING FRAMES

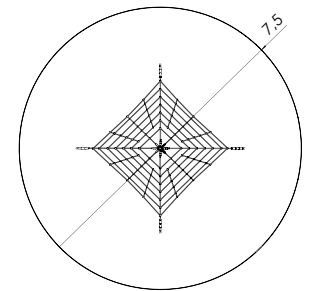
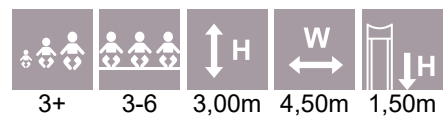


color options: standard forest pistachio forest fuchsia forest red autumn standard Fresh MF

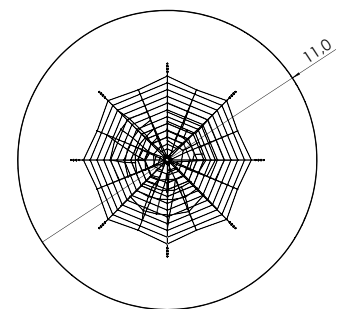
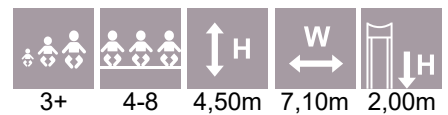
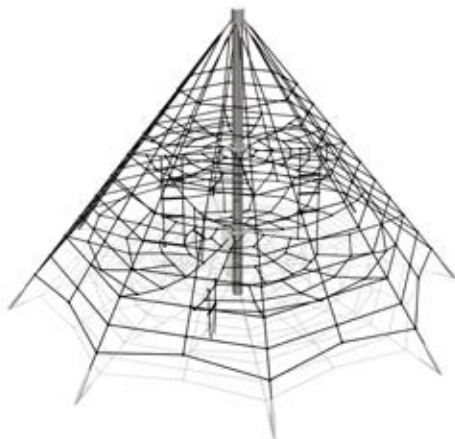
0100250 Climbing Pyramid h. 2,5m



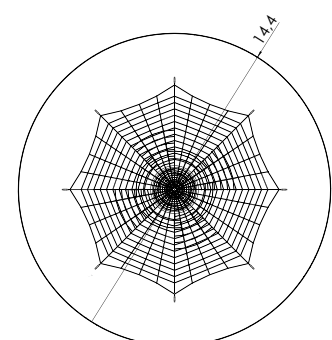
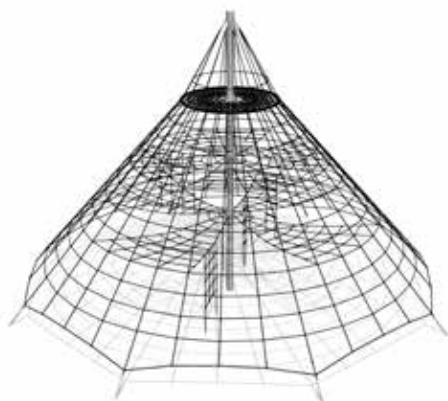
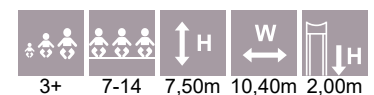
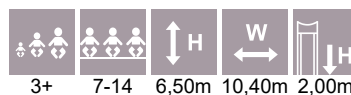
0100300 Climbing Pyramid h. 3m



0100450 Climbing Pyramid h. 4,5m



0100650 Climbing pyramid h.6,5m
0100750 Climbing pyramid h.7,5m





CLIMBING FRAMES



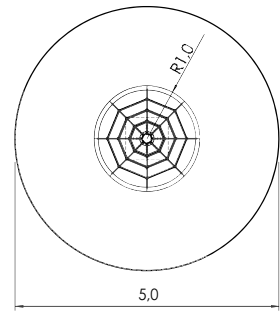
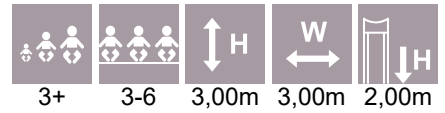
CLIMBING FRAMES



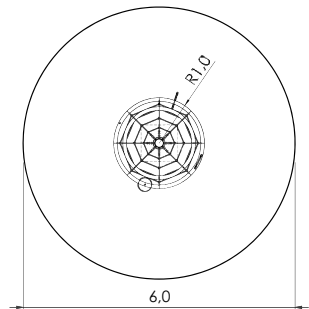
CLIMBING FRAMES



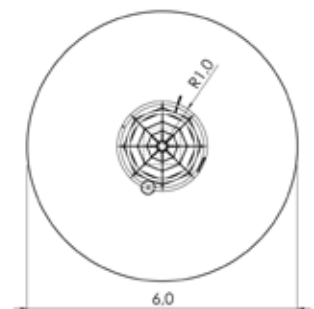
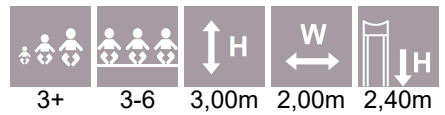
101300 Revolving climbing tower A PLUS



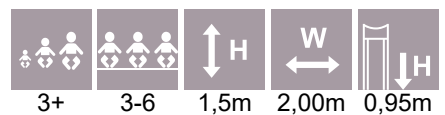
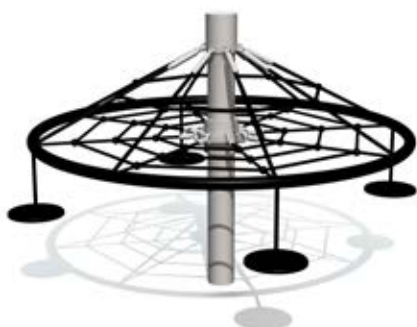
0102 Revolving climbing tower B



0109 Revolving climbing tower C



0108 Revolving climbing tower P



SWINGS



SWINGS



K005 AL Swing BELL-FLOWER 1 place 148



K001 Swing BABY BIRD 2 places 150



K008 Y Swing BELL-FLOWER 4 places 153



K002 AL Swing BELL-FLOWER 148



K116 Swing BABY-BIRD 3 places 150



K009 Y Swing BELL-FLOWER 6 places, 153



K115 AL Swing BELL-FLOWER 3 places 148



K117 Swing BABY BIRD 4 places 152



K113 Swing BABY SNAIL (with seat) 153



K008 AL Swing BELL-FLOWER 4 places 148



K005 Y Swing BELL-FLOWER 1 place 152



K113-1 Swing BABY SNAIL (with seat) 153



K009 AL Swing BELL-FLOWER 6 places 150



K002 Y Swing BELL-FLOWER 2 places, 152



K113-2 Swing BABY SNAIL 154



K003 Swing BABY BIRD 1 place 150



K115 Y Swing BELL-FLOWER 3 places (1+2) 152



K113-3 Swing BABY SNAIL 154

SWINGS



K110 Swing EAGLE 1 place 154



K223 Circle swing 5 places 157



KRK13 Rope swing set BIRD NEST 158



K111 Swing EAGLE 2 places 154



SPR100 Tarzan's track 157



KRK14 Tyre swing set 158



K112 Swing CONDOR 2 places 156



SPR100-1 Tarzan's track with platform 157



K220 Swing EAGLE 3 places 156



KRK2 Swing set with seat 158



K221 Swing EAGLE 4 places 156



KRK1 Baby cradle seat 158



K222 Circle swing 6 places 156



KRK11/KRK15 Rope swing 158

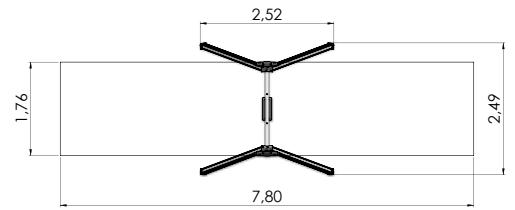
SWINGS



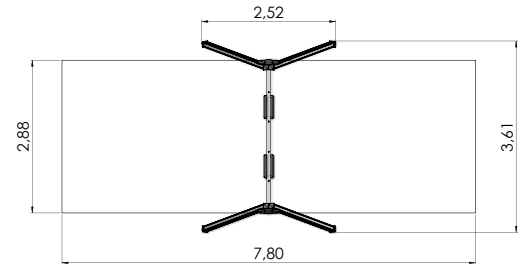
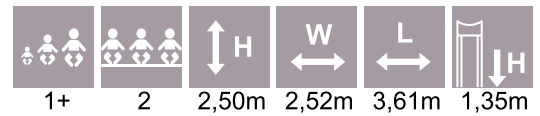
SWINGS



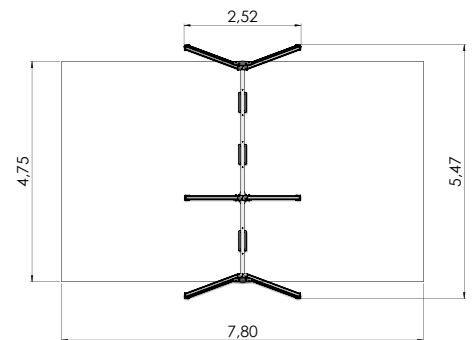
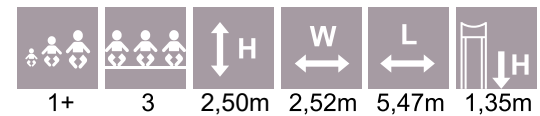
K005 AL Swing BELL-FLOWER 1 plae
(without seat and fittings)



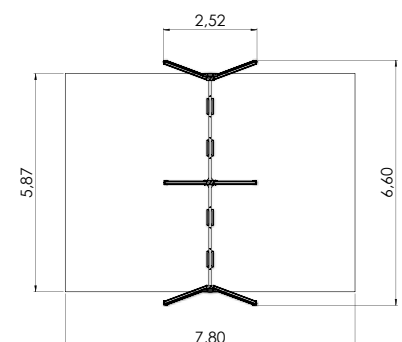
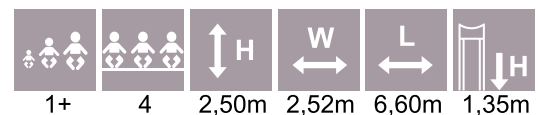
K002 AL Swing BELL-FLOWER 2 places
(without seats and fittings)



K115 AL Swing BELL-FLOWER 3 plae s
(1+2) (without seats and fittings)



K008 AL Swing BELL-FLOWER 4 plae s
(without seats and fittings)

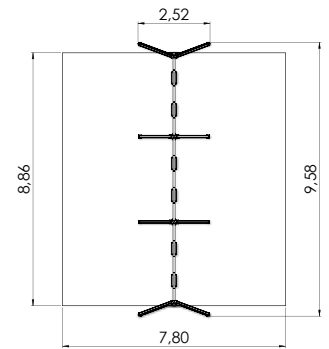
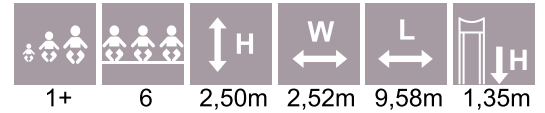




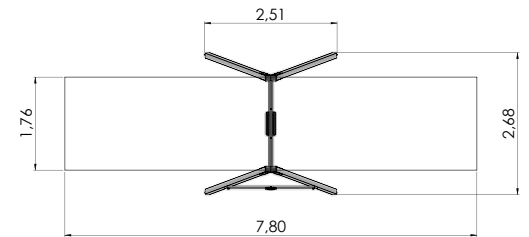
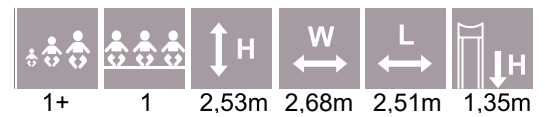
SWINGS



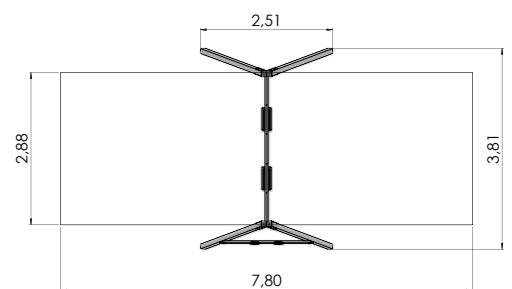
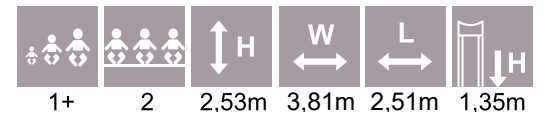
K009 AL Swing BELL-FLOWER 6 places
(without seats and fittings)



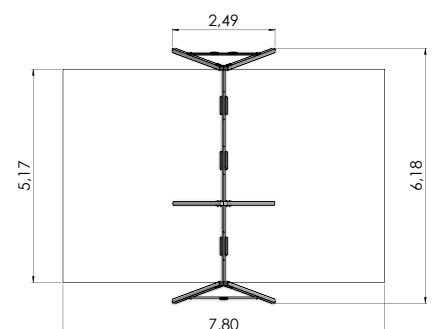
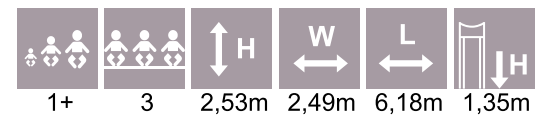
K003 Swing BABY BIRD 1 place
(without seat and fittings)



K001 Swing BABY BIRD 2 places
(without seats and fittings)



K116 Swing BABY-BIRD 3 places
(without seats and fittings)



SWINGS

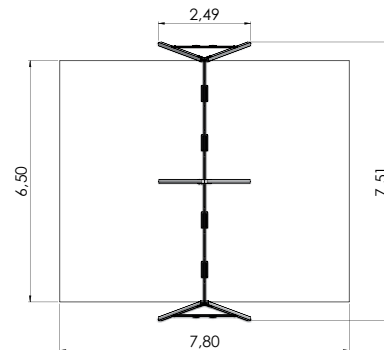
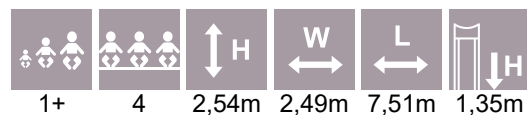


SWINGS

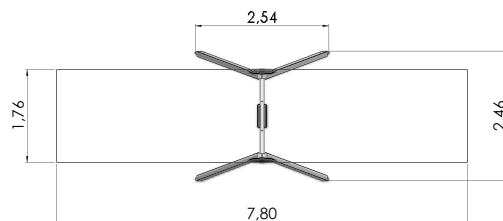
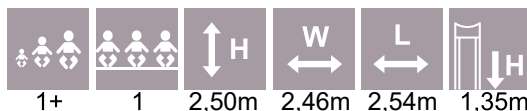
SWINGS



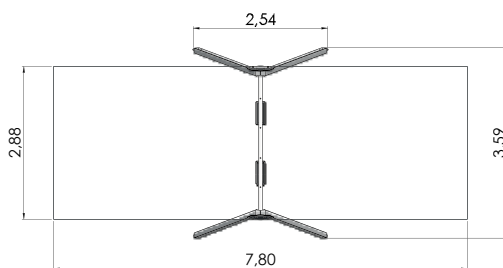
K117 Swing BABY BIRD 4 places
(without seats and fittings)



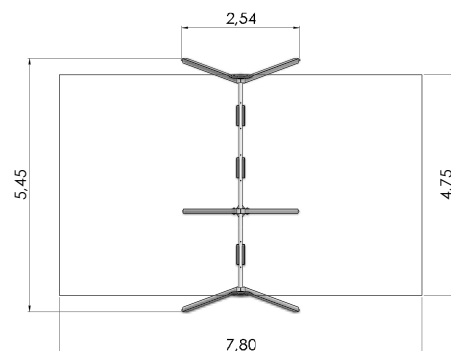
K005 Y Swing BELL-FLOWER 1 place
(without seat and fittings)



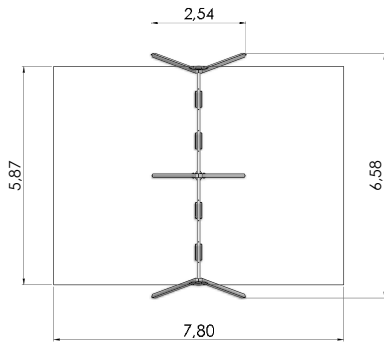
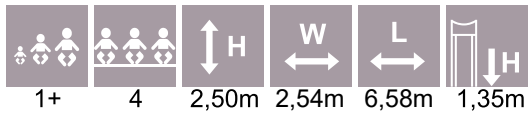
K002 Y Swing BELL-FLOWER 2 places
(without seats and fittings)



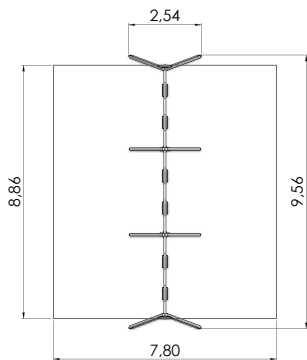
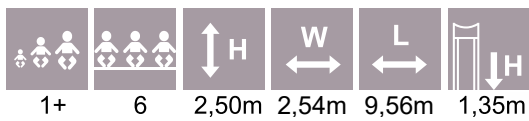
K115 Y Swing BELL-FLOWER 3 places (1+2)
(without seats and fittings)



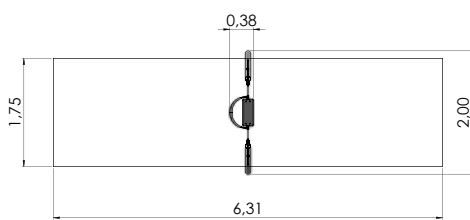
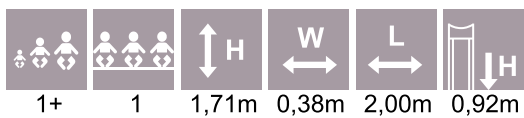
SWINGS



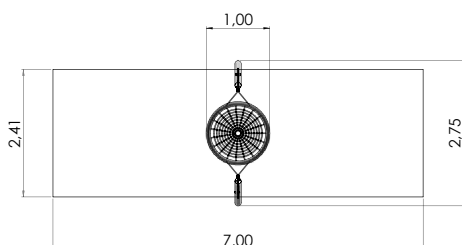
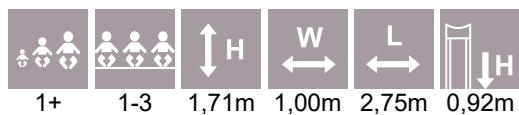
K008 Y Swing BELL-FLOWER 4 places
(without seats and fittings)



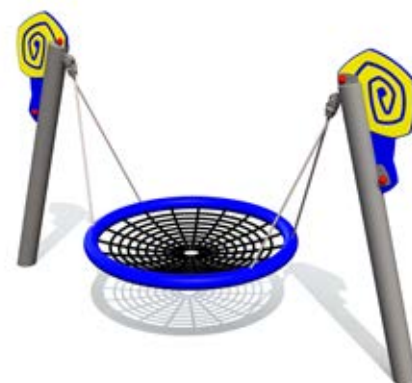
K009 Y Swing BELL-FLOWER 6 places
(without seats and fittings)



K113 Swing BABY SNAIL (with seat)



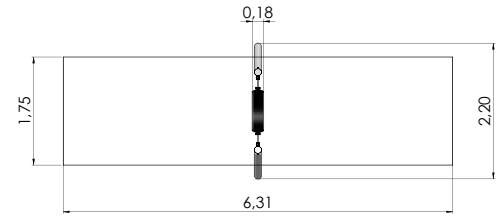
K113-1 Swing BABY SNAIL (with seat)



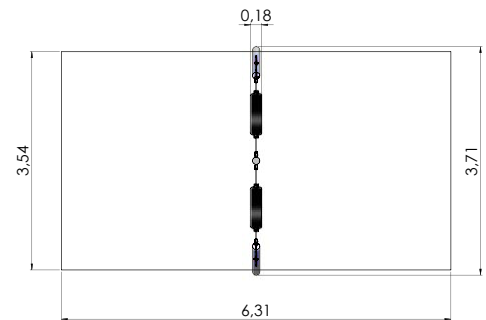
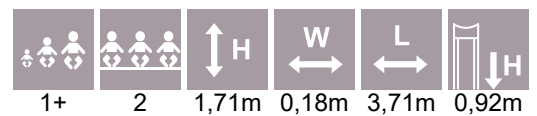
SWINGS



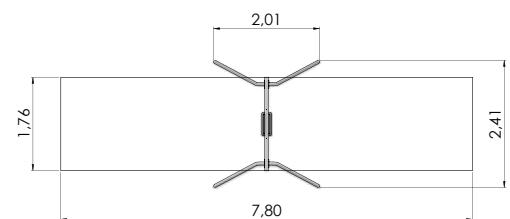
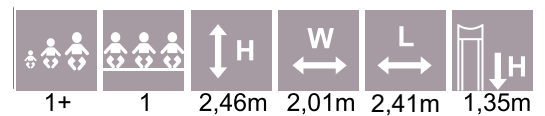
K113-2 Swing BABY SNAIL
(with wrap around seat)



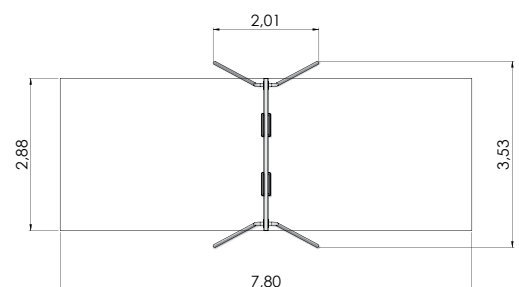
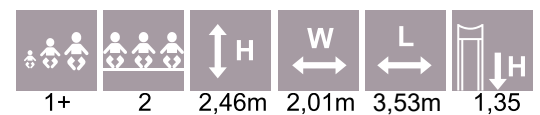
K113-3 Swing BABY SNAIL
(with wrap around seat, double)



K110 Swing EAGLE 1 plae
(without seat and fittings)



K111 Swing EAGLE 2 plae s
(without seats and fittings)

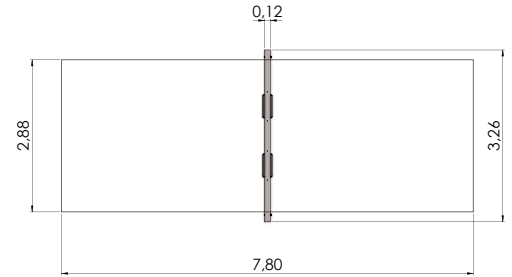
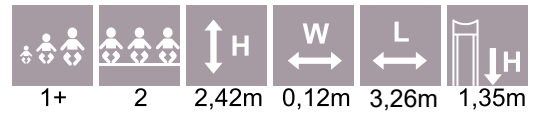




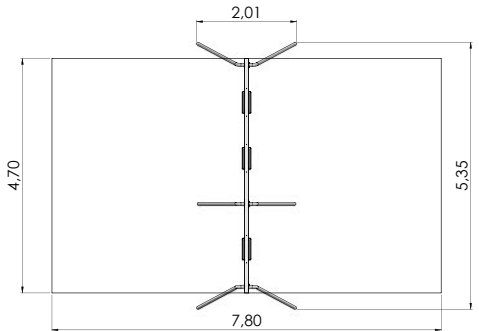
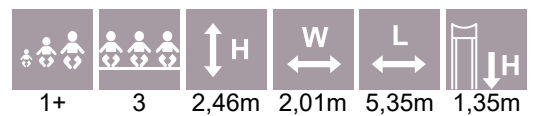
SWINGS



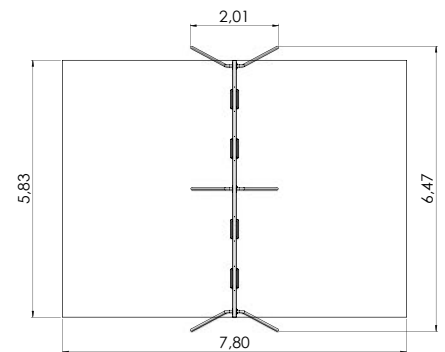
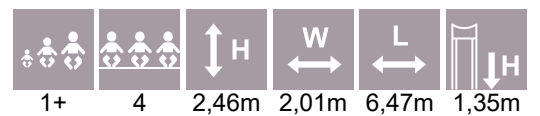
K112 Swing CONDOR 2 places
(without seats and fittings)



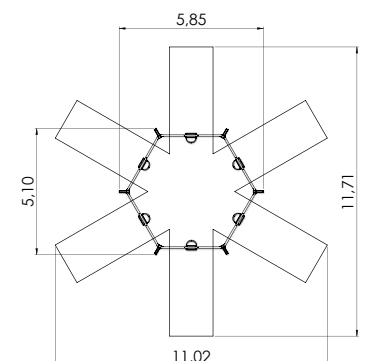
K220 Swing EAGLE 3 places
(without seats and fittings)



K221 Swing EAGLE 4 places
(without seats and fittings)



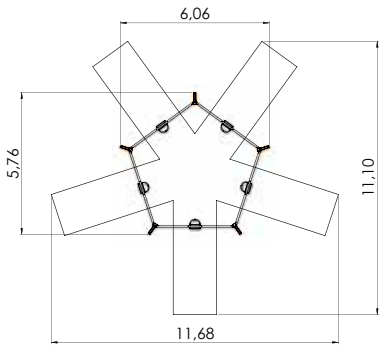
K222 Circle swing 6 places



NEW!

3+	5	2,5m	5,76m	6,06m	1,35m

K223 Cirt e swing 5 plae s

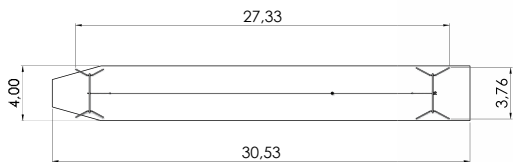


NEW!



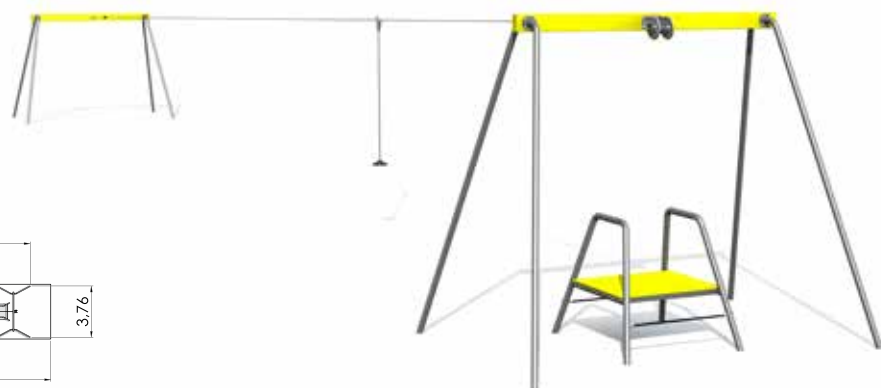
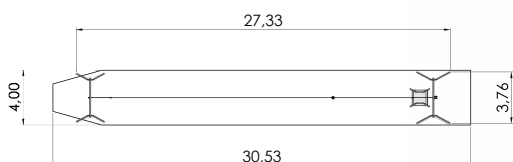
4+	1	2,98m	4,00m	27,33m	1,10m

SPR100 Tara n's trak



4+	1	2,98m	4,00m	27,33m	1,10m

SPR100-1 Tara n's trak with platform

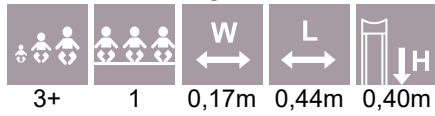


SWINGS

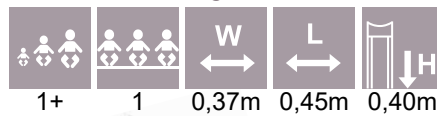


color options: standard forest pistachio forest fuchia forest red autumn standard Fresh MF

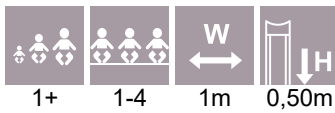
KRK2 Swing set with seat
2 chains, 2 fittings



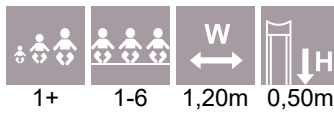
KRK1 Baby cadle seat
2 chains, 2 fittings



KRK11/KRK15 Rope swing
BIRD NEST d,1,0/1,2m



KRK13 Rope swing set
BIRD NEST plastic d,1,2m



KRK14 Tyre swing set,
2 chains 2 fittings



*SPRING SWINGS
AND SEE-SAWS*



SPRING
SWINGS
SEE-SAWS



VLO36 Spring swing KITTY 162



VL049 Spring swing SPEEDY 163



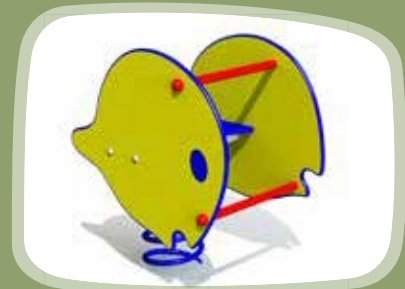
VLO37 Spring swing TIBBY 162



VL039 Spring swing WILBUR 163



VLO33 Spring swing BRUNO 162



VL038 Spring swing CORA 164



VLO34 Spring swing ALEX 162



VLI45 Spring swing BEETLE 164



VLO35 Spring swing MOBI 163



VLI50 MF Spring swing DOCKY 164



VL040 Torsion spring swing MAX 163



VLI46 Spring swing HUMMER 164

SPRING SWINGS AND SEE-SAWS



VLI47 Spring swing PONY 165



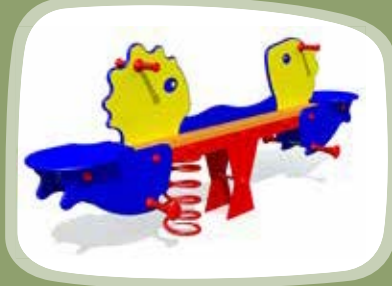
VLI54 Spring swing AIRCRAFT 167



K104 See-saw TODDLER 4 seats 168



VLI51 Spring swing PEGASUS 165



K106 See-saw CLAM 167



K108 See-saw 4 seats 168



VLI48 See-saw CASPER 165



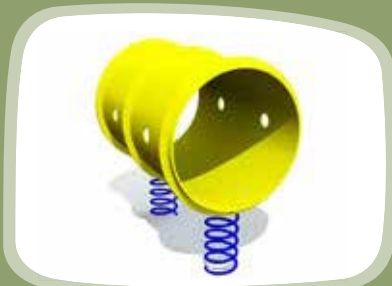
K102 See-saw BUBBLE 167



VLI49 Spring swing DUO 165



K200 Stand on see-saw 167



VL9008 TUBE with springs TUBO 166



K103 See-saw TODDLER 2 seats 168

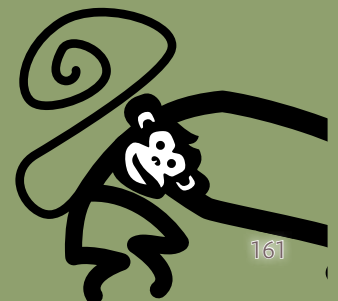


VLI44 Spring swing FLOWER (4-seats) 166



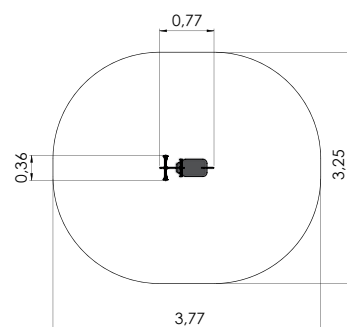
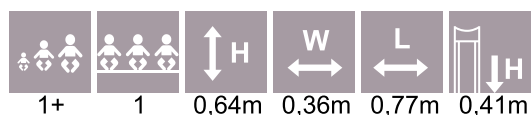
K105 See-saw TODDLER 2 seats with backrests 168

SPRING
SWINGS
SEE-SAWS

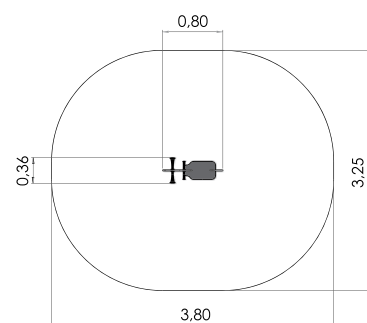
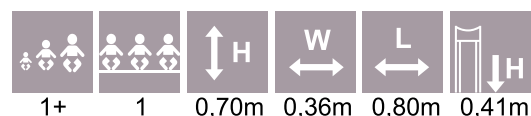


SPRING SWINGS AND SEE-SAWS

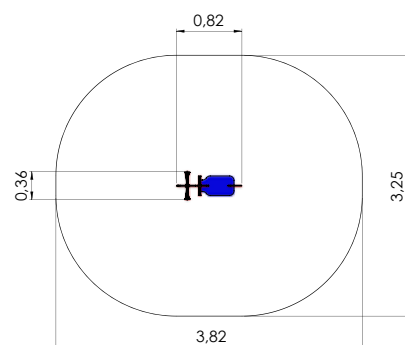
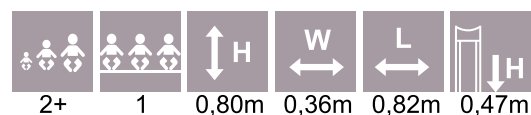
VLO36 Spring swing KITTY



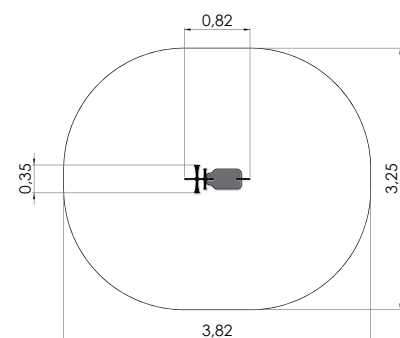
VLO37 Spring swing TIBBY



VLO33 Spring swing BRUNO

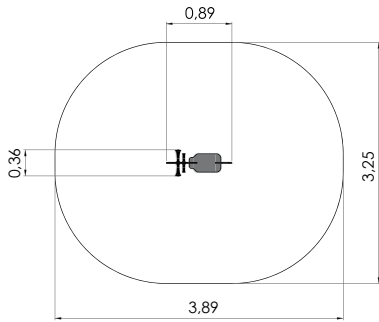


VLO34 Spring swing ALEX



SPRING SWINGS AND SEE-SAWS

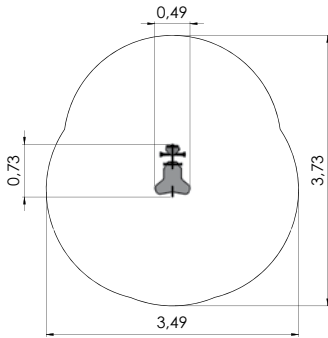
2+	1	0,80m	0,36m	0,89m	0,47m



VLO35 Spring swing MOBI



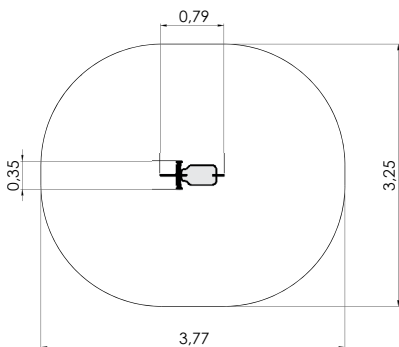
2+	1	0,64m	0,49m	0,73m	0,53m



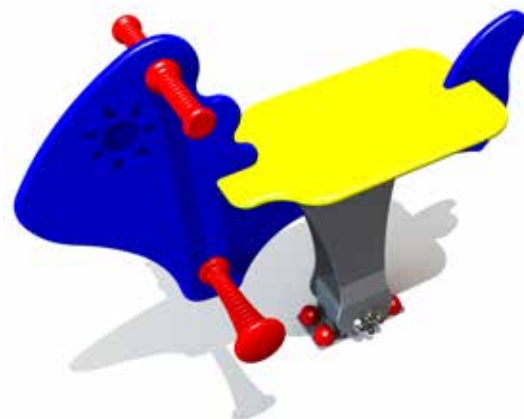
VL039 Spring swing WILBUR



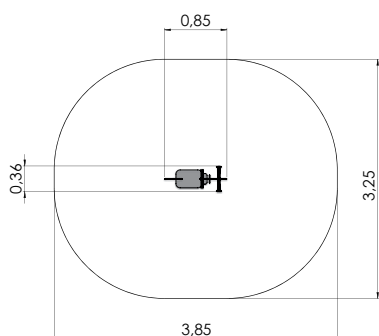
2+	1	0,66m	0,35m	0,79m	0,41m



VL040 Torsion spring swing MAX



2+	1	0,75m	0,36m	0,85m	0,53m

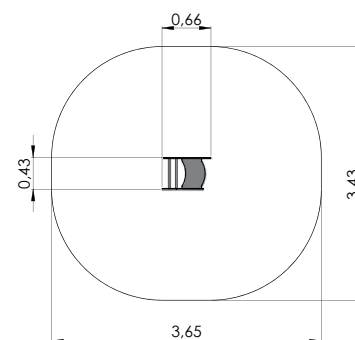
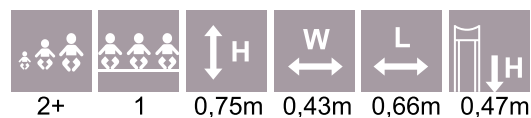
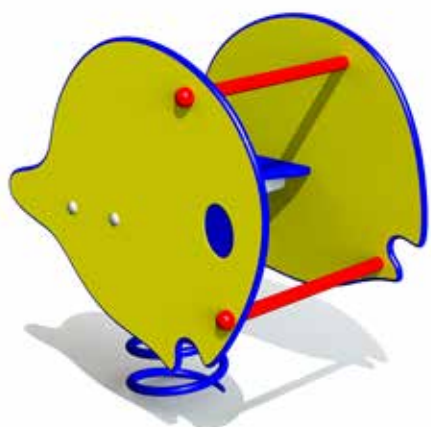


VL049 Spring swing SPEEDY

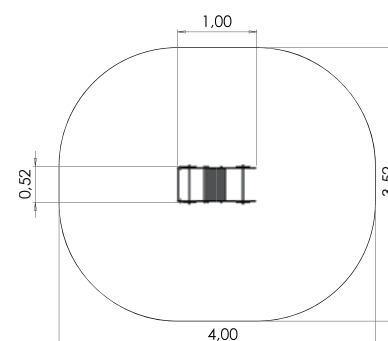
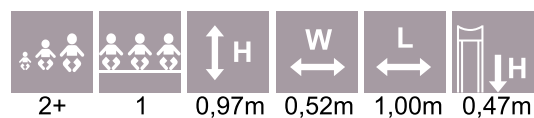


SPRING SWINGS AND SEE-SAWS

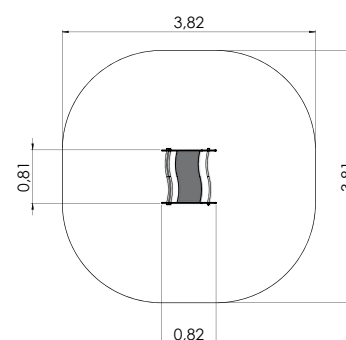
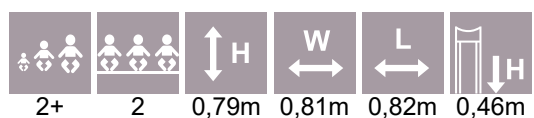
VL038 Spring swing CORA



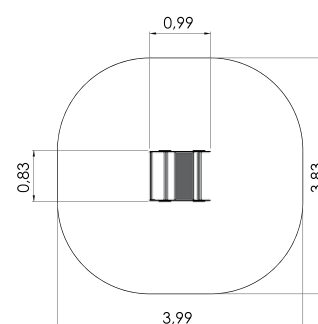
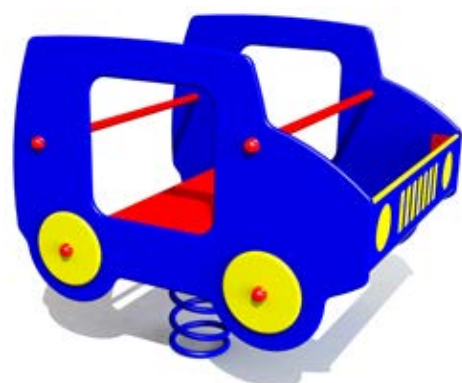
VLI45 Spring swing BEETLE



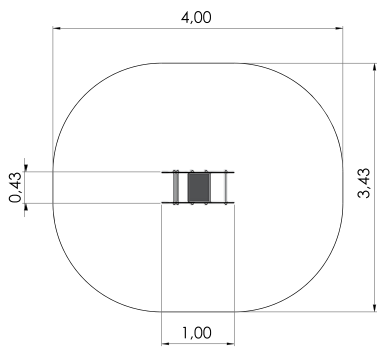
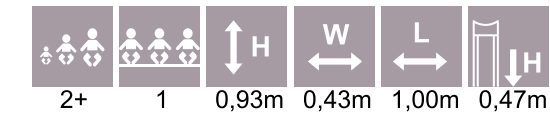
VLI50 MF Spring swing DOCKY



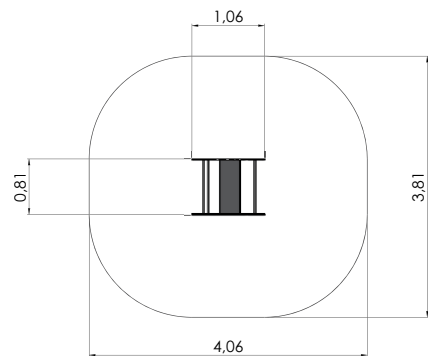
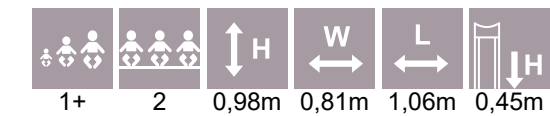
VLI46 Spring swing HUMMER



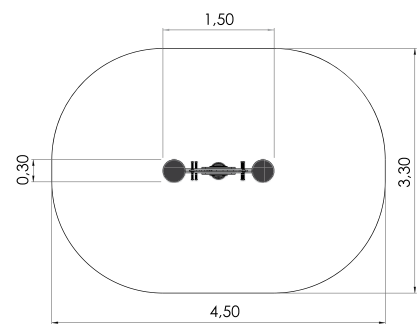
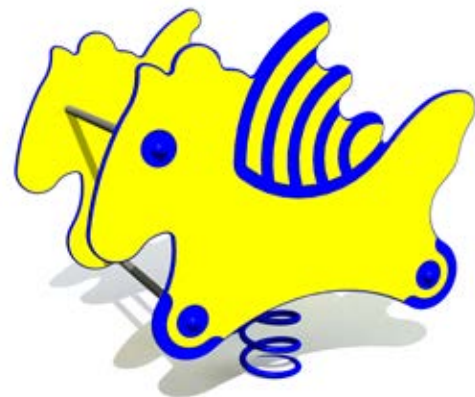
SPRING SWINGS AND SEE-SAWS



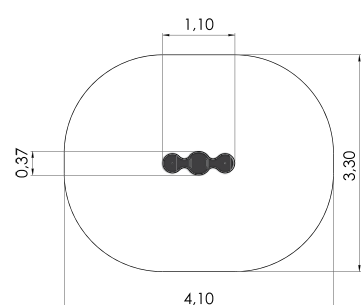
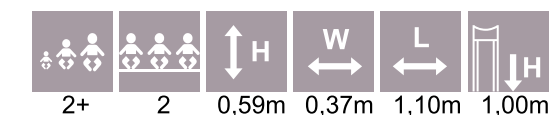
VLI47 Spring swing PONY



VLI51 Spring swing PEGASUS



VLI48 See-saw CASPER

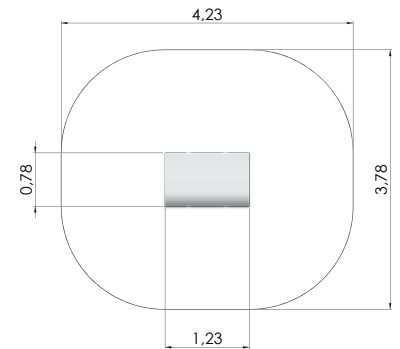


VLI49 Spring swing DUO

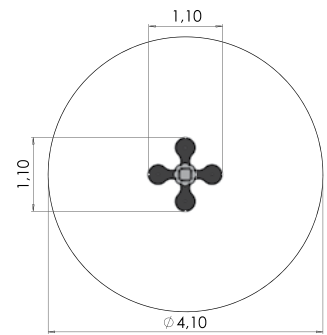
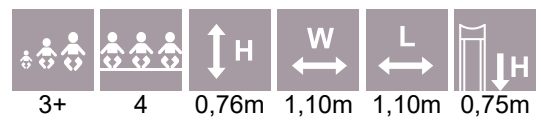
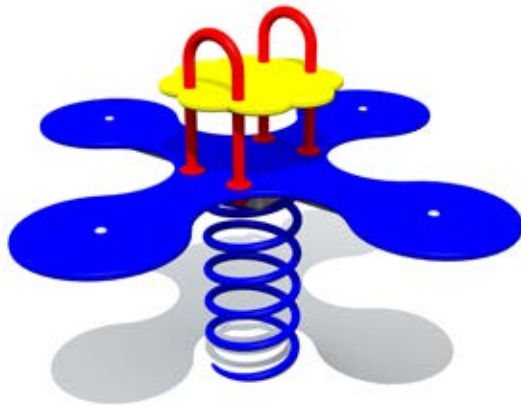


SPRING SWINGS AND SEE-SAWS

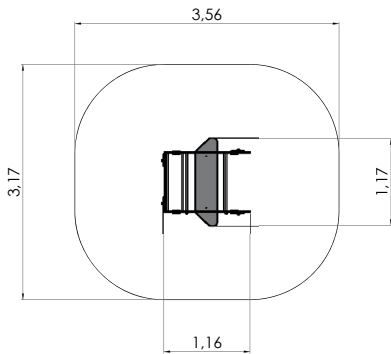
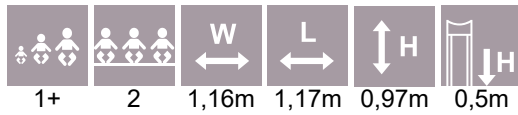
VL9008 TUBE with springs TUBO



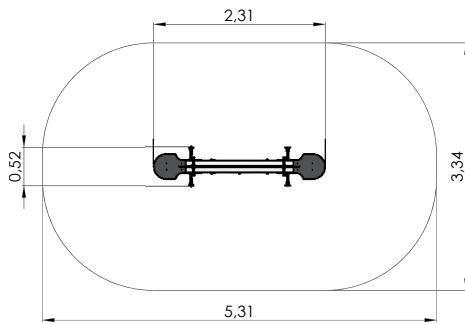
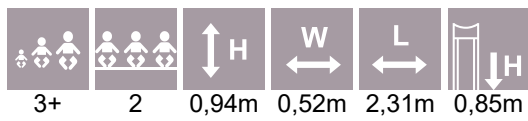
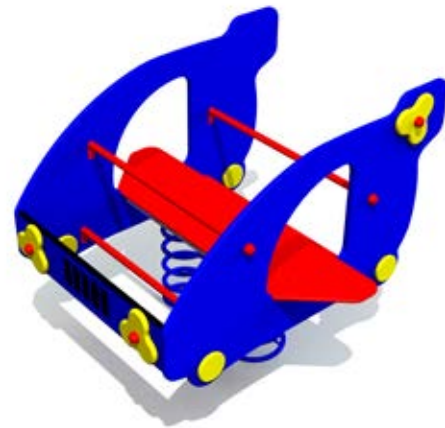
VLI44 Spring swing FLOWER (4-seats)



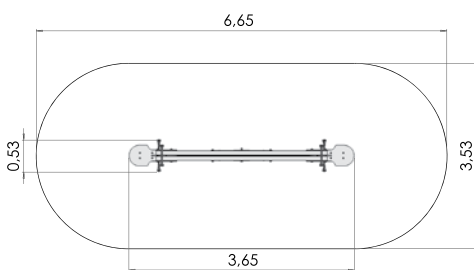
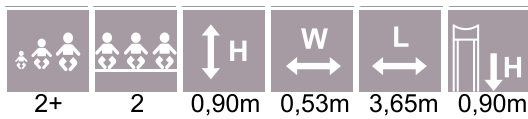
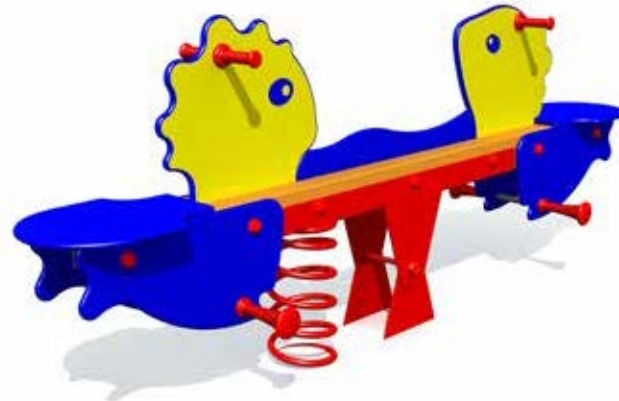
SPRING SWINGS AND SEE-SAWS



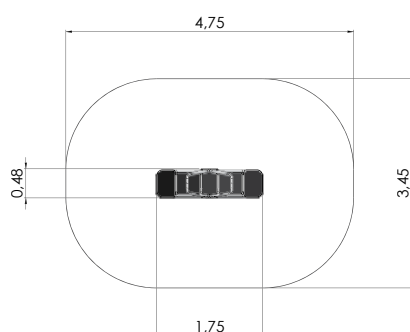
VLI54 Spring swing AICRAFT



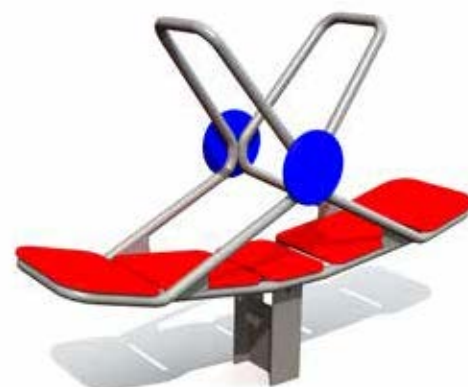
K106 See-saw CLAM



K102 See-saw BUBBLE

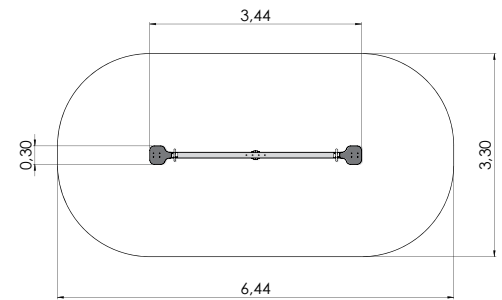
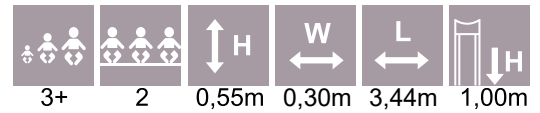


K200 Stand on see-saw

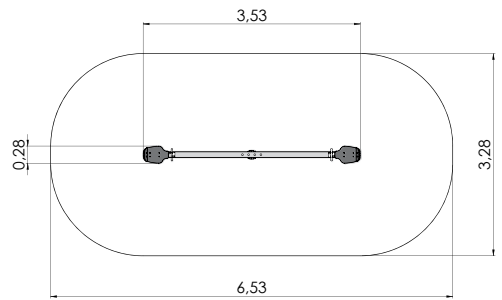


SPRING SWINGS AND SEE-SAWS

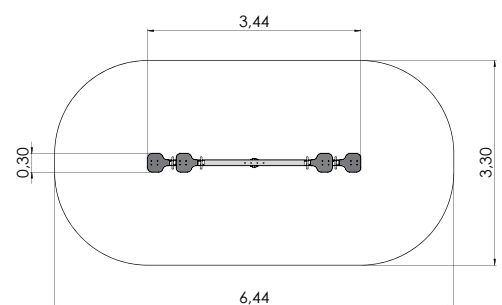
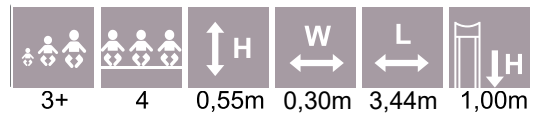
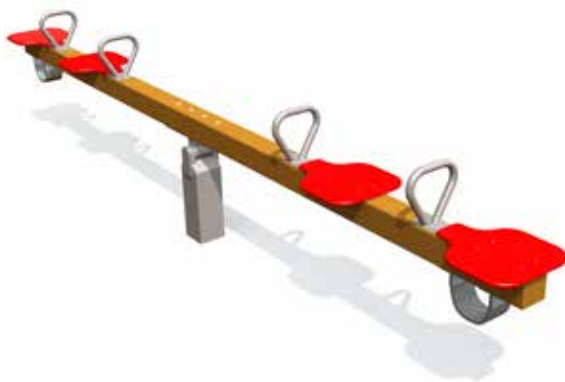
K103 See-saw TODDLER 2 seats



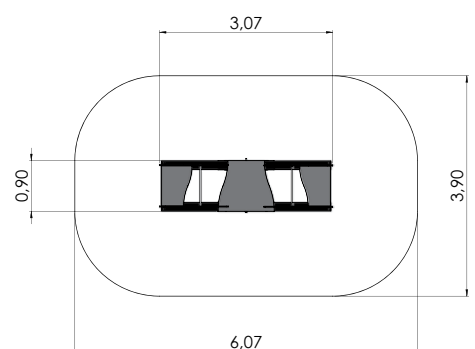
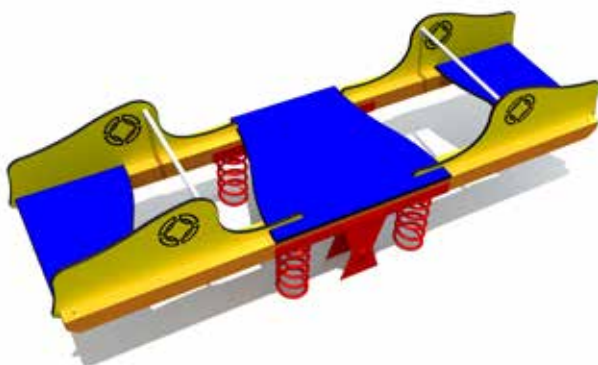
K105 See-saw TODDLER 2 seats with backrests



K104 See-saw TODDLER 4 seats

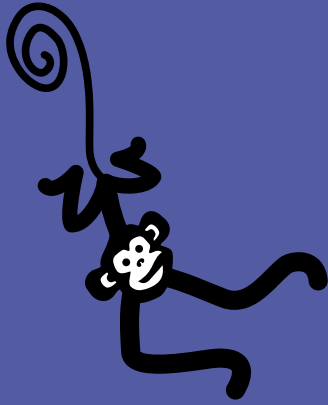


K108 See-saw 4 seats



THEME PLAY





LAB001 LABYROOM L-panel set 174



MM401 Playhouse BUFFET 2 176



MM001 Playhouse KIOSK 175



MM402 Playhouse with slope BUFFET 3 176



MM301 Playhouse APPLE 175



MM403 Playhouse BUFFET with terrace 176



MM302 Playhouse APPLE with BUSHES 175



LMK003-1 Play Centre BABY 177



MM002 Playhouse HUT 175



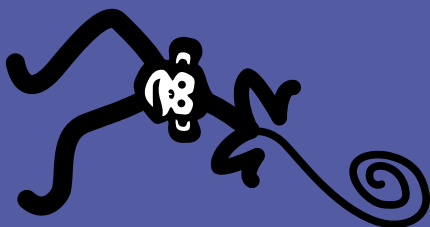
MM410 Playhouse COTTAGE 177



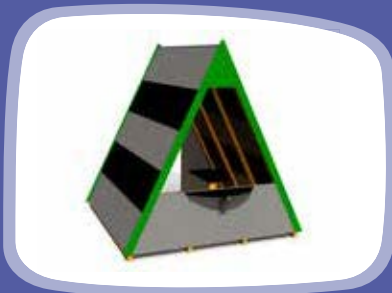
MM400 Playhouse BUFFET 176



MM114 Playhouse WIGWAM 177



THEME PLAY



MM114-1 Playhouse WIGWAM 2 177



MM103 Playtrain GALAXY EXPRESS 179



MM122-1 Playship GUSTAV VASA 2 184



MM101 Playtrain CHOO-CHOO 178



MM116 Playship CAPTAIN DRUM 182



MM119 Playship FRAM 184



MM101-1 Playtrain CHOO-CHOO long 178



MM177 Playship EMILY 182



MM118 Playship NOA 184



MM101-2 Playtrain CHOO-CHOO extra long 178



LM301 Playship GRANT 183



MM111 Playcar MERCEDES 185



MM104 Playtrain JUNA 178



MM125 Playship SKIFF 183



MM113 Playcar POLICE 185



MM102 LOCOMOTIVE 179



MM122 Playship GUSTAV VASA 183



MM110 Playcar AMBULANCE 185

THEME
PLAY

THEME PLAY



MM130 Playcar EMERGENCY 185



MM120 Playboat TOPU 187



AW10 Activity wall COCKPIT 188



MM112 Playbus BUS 186



MM121 Playboat UKU 187



AW05 Activity wall COUNTER 189



MM133 Express bus 186



MM123 Playcar TRUCK 187



AW04 Activity wall EMOTIONS 189



MM135 Cargo plane 186



MM140 Gas station 188



AW06 Activity wall CLOCK & COUNTER 189



MM131 AIRPLANE 186



MM141 Gas station 188



AW07 Activity wall ARITHMETICS 1 189



MM132 AIRPLANE small 187



AW11 Play fence 188



AW08 Activity wall ARITHMETICS 2 189

THEME PLAY



AW09 Activity wall ARITHMETICS 3 189



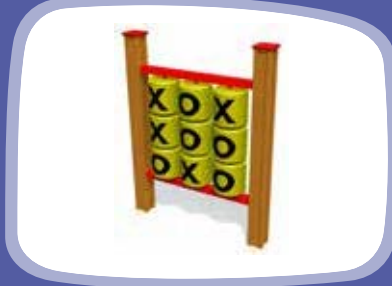
AW01 Activity wall FLYER 190



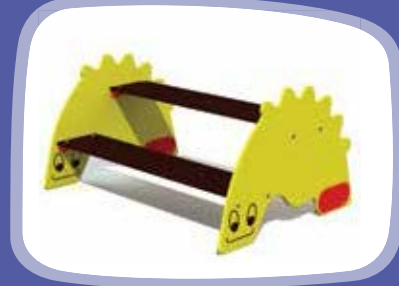
IPK103 Seat and play table SNAIL 192



TAH001 Blackboard 189



AW02 Activity wall TIC-TAC-TOE 190



IPK203 Seat and play table CROCO 192



AW13 Activity wall KITCHEN 190



AW03 Activity wall CLOCK 190



IPK201 Two-sided seat CROCO 192



AW14 Activity wall CAR CABIN 190



IPL602 Table (oval) 192



IPR802 Set for a group of children CROCO 192



AW15 Activity train 190



IPL601 Table (round) 192



AW12 Play wall for visually impaired kids 190



LKA001 Box for toys 192

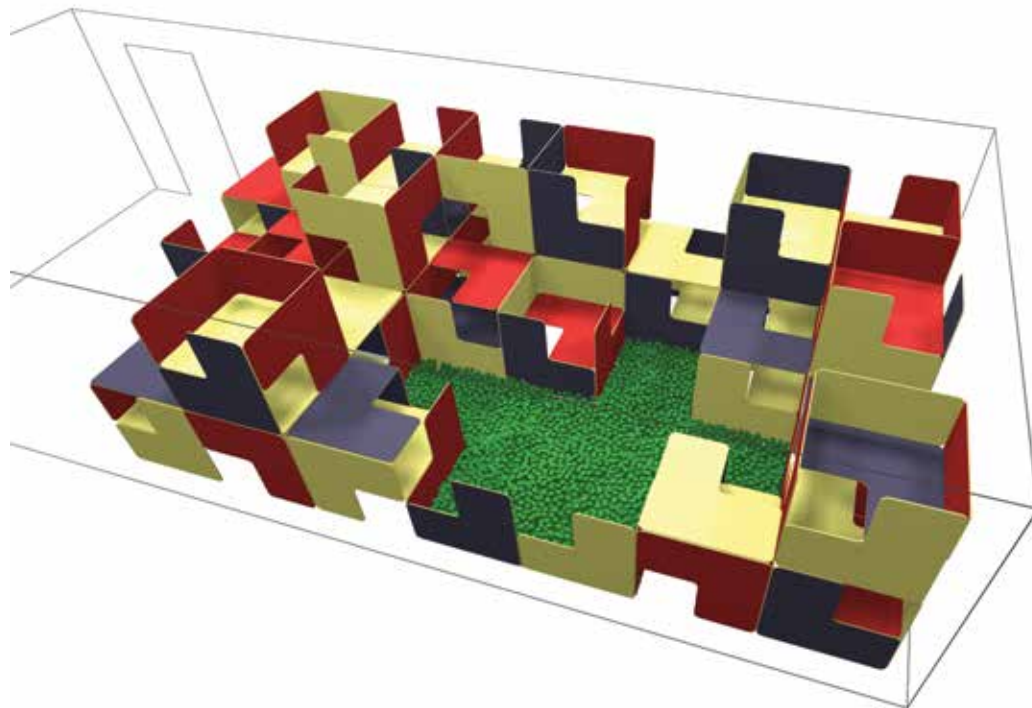
THEME
PLAY

THEME PLAY



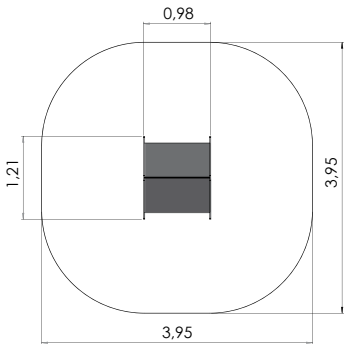
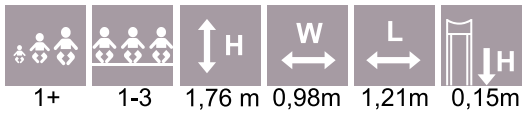
Of what can you make tables, shelves, walls, houses, gates, fortresses, caves or even skyscrapers? The answer is our LABYROOM L-shaped panels are ingenious in their simplicity allowing the children to create an endless number of different rooms and solutions during play. LABYROOM is safe as it has no sharp corners or moving parts and the plastic coated plywood survives well both indoors and outdoors. The color palette combines blue, red, green and yellow panels to create a lively and thrilling playground!

LAB001 LABYROOM L-panel set with fixing accessories

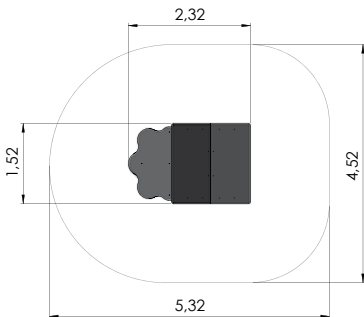
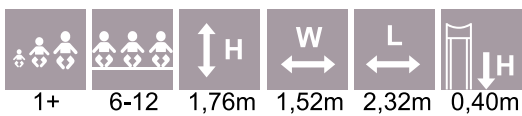


THEME PLAY

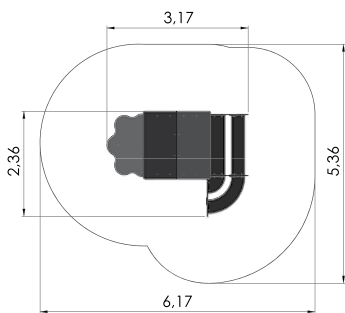
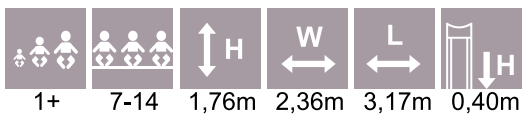
MM001 Playhouse KIOSK



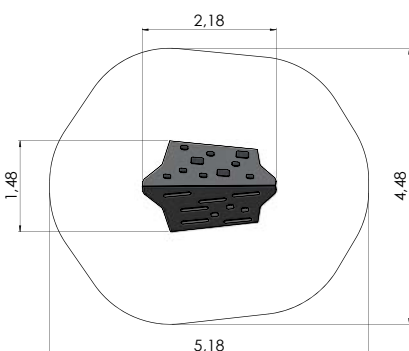
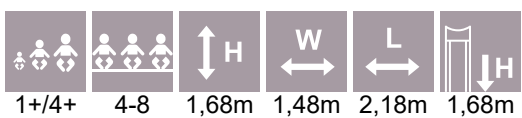
MM301 Playhouse APPLE



MM302 Playhouse APPLE with BUSHES



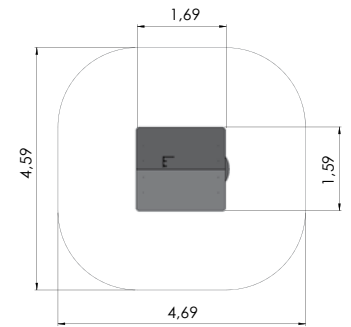
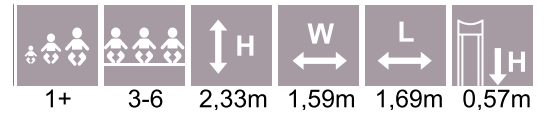
MM002 Playhouse HUT



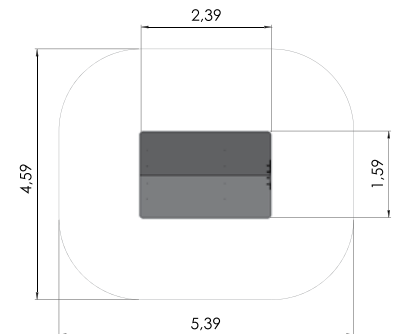
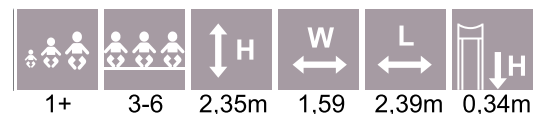
THEME PLAY



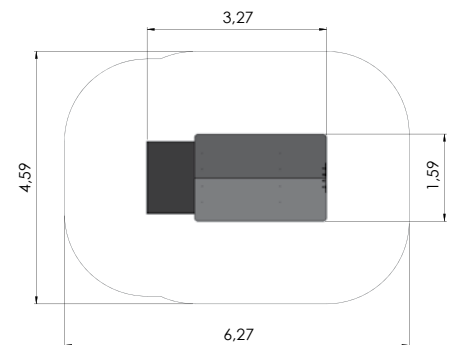
MM400 Playhouse BUFFET



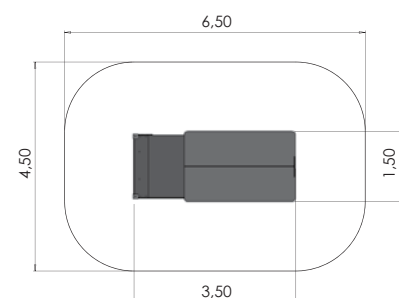
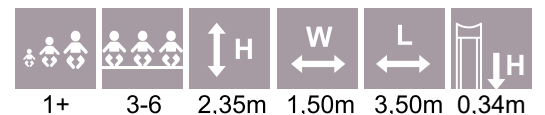
MM401 Playhouse BUFFET 2



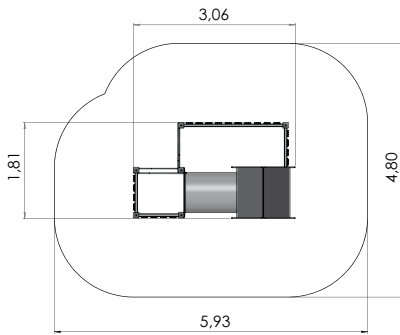
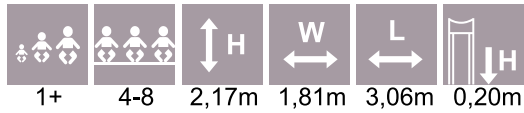
MM402 Playhouse with slope BUFFET 3



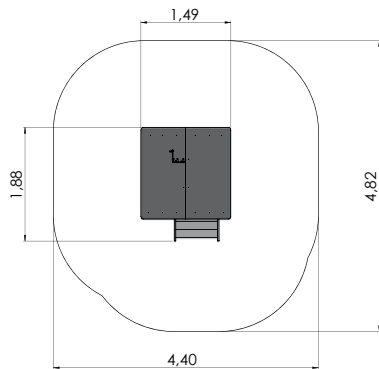
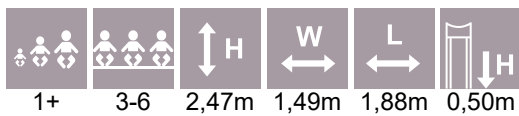
MM403 Playhouse BUFFET with terrae



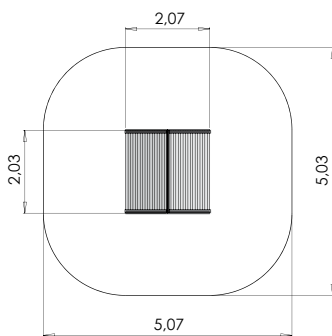
THEME PLAY



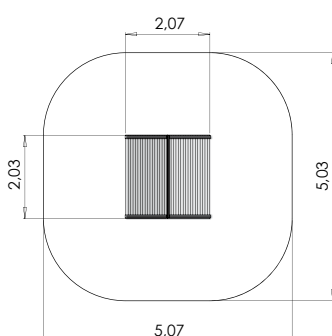
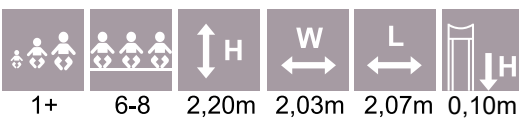
LMK003-1 Play Centre BABY



MM410 Playhouse COTTAGE



MM114 Playhouse WIGWAM



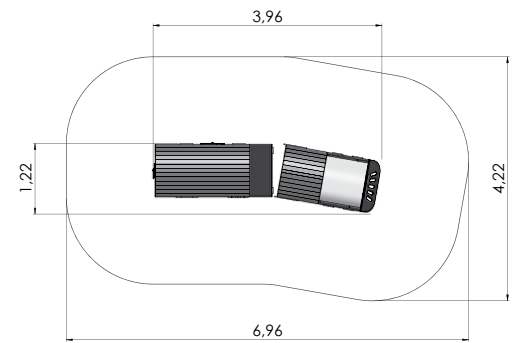
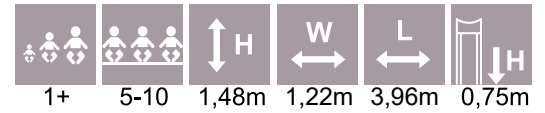
MM114-1 Playhouse WIGWAM 2



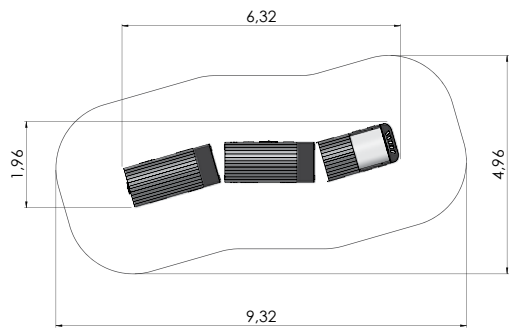
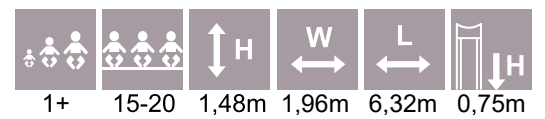
THEME PLAY



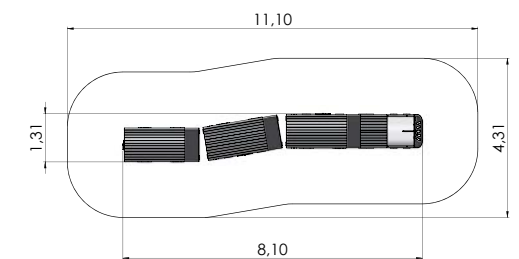
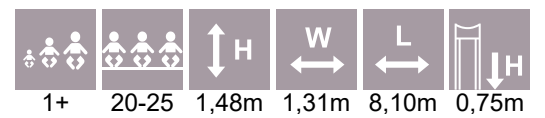
MM101 Playtrain CHOO-CHOO



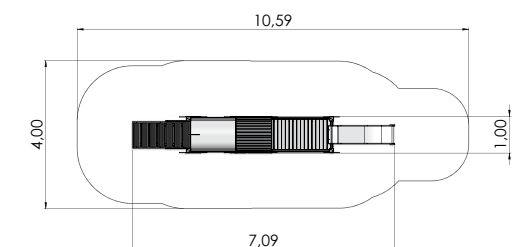
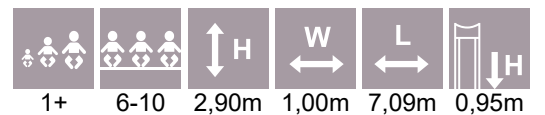
MM101-1 Playtrain CHOO-CHOO long



MM101-2 Playtrain CHOO-CHOO ek ra long

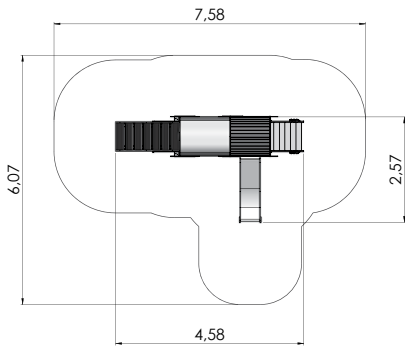
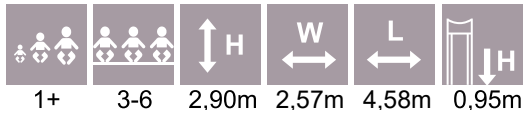


MM104 Playtrain Ψ NA

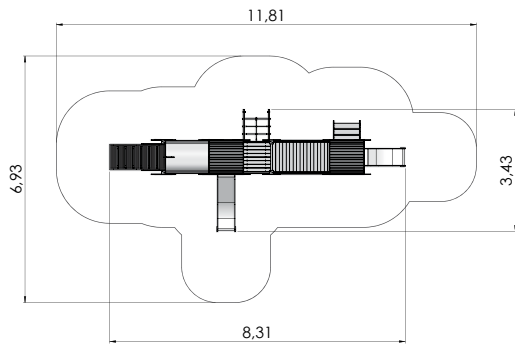
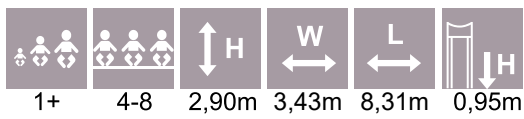


THEME PLAY

MM102 LOCOMOTIVE



MM103 Playtrain GALAXY EXPRESS





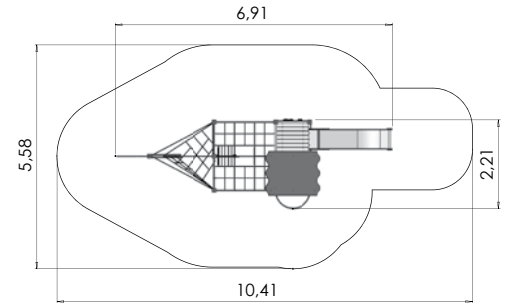
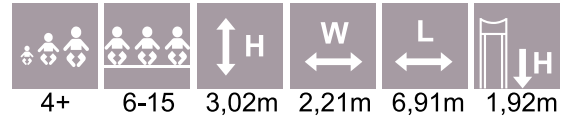


THEME PLAY

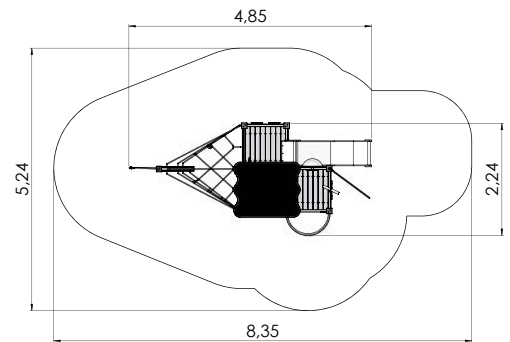
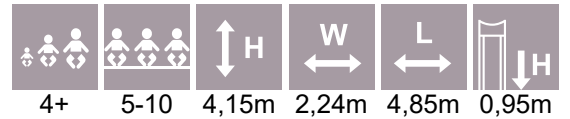


color options: standard forest pistachio forest fuchia forest red autumn standard Fresh MF

MM116 Playship CAPTAIN DRUM

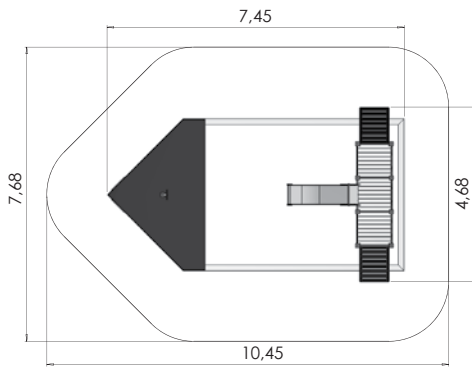
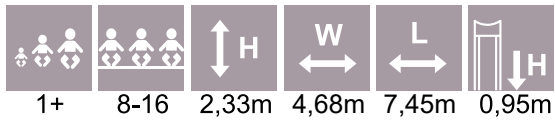


MM177 Playship EMILY

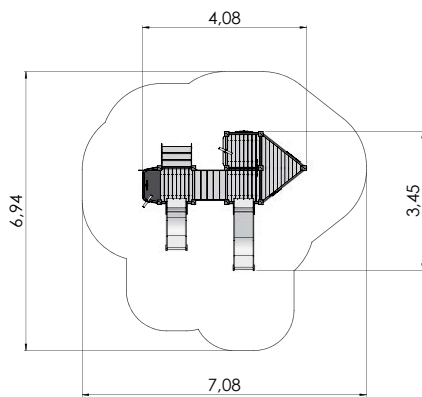
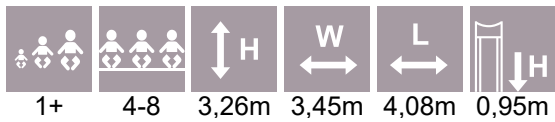


THEME PLAY

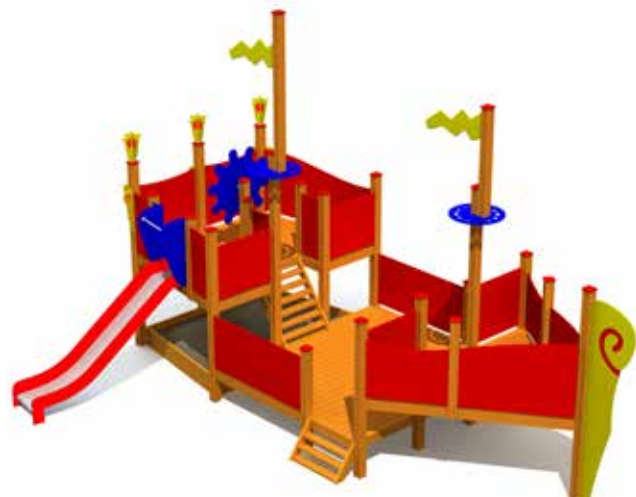
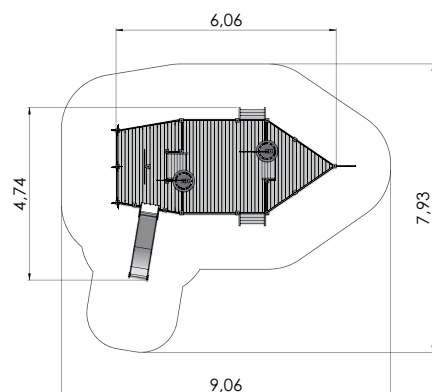
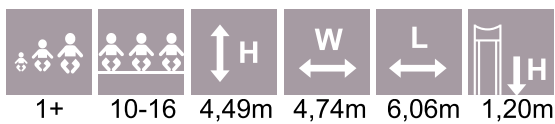
LM301 Playship GRANT



MM125 Playship SKIFF



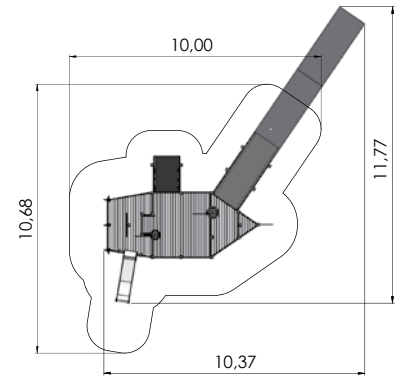
MM122 Playship GUSTAV VASA



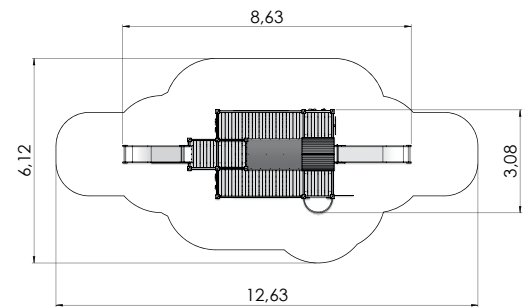
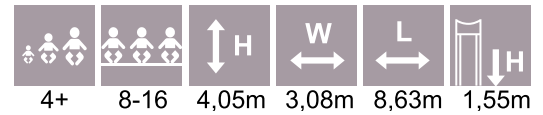
THEME PLAY



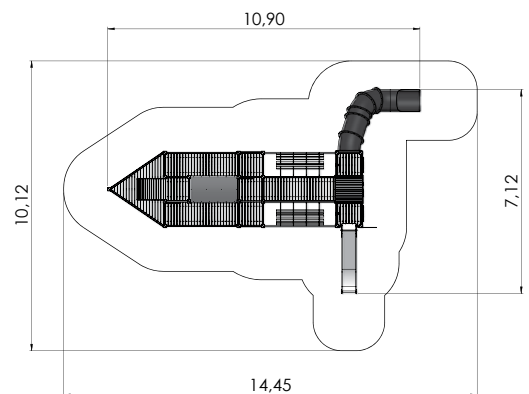
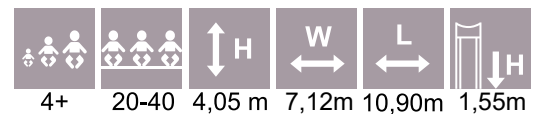
MM122-1 Playship GUSTAV VASA 2
(wheelchair accessible)



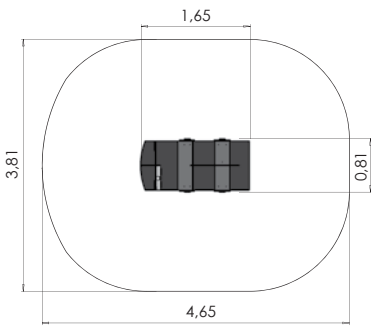
MM119 Playship FRAM



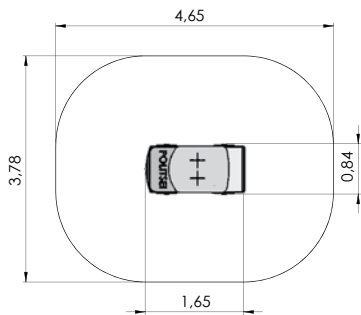
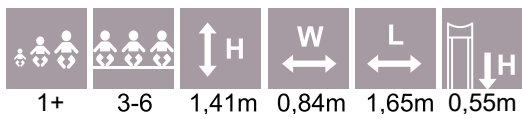
MM118 Playship NOA



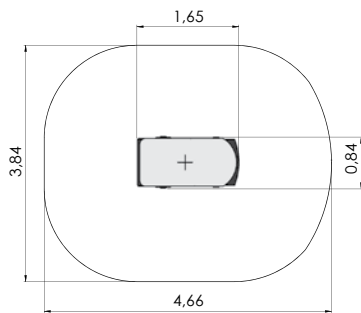
THEME PLAY



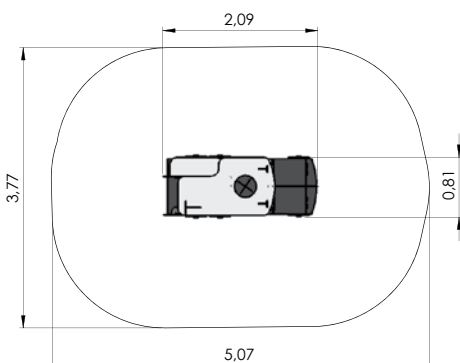
MM111 Playar MERCEDES



MM113 Playar POLICE



MM110 Playar AMBULANCE



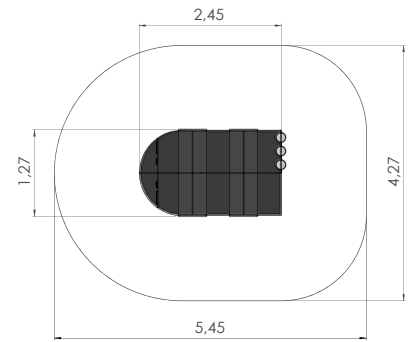
MM130 Playar EMERGENCY



THEME PLAY



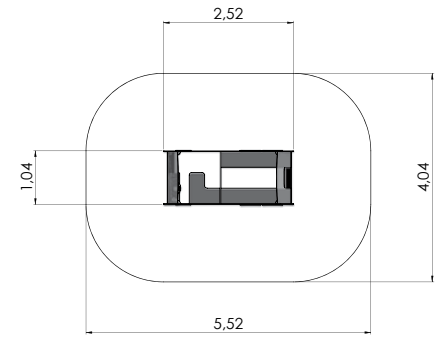
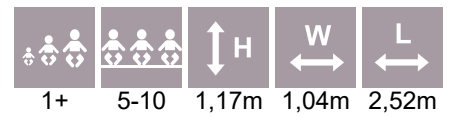
MM112 Playbus BUS



MM133 Eþ res bus



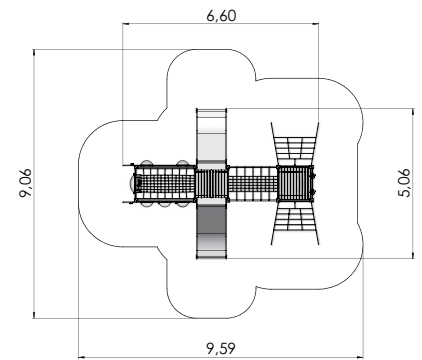
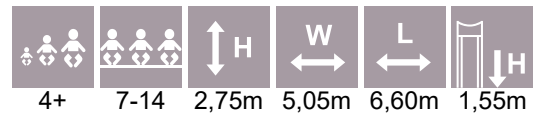
NEW!



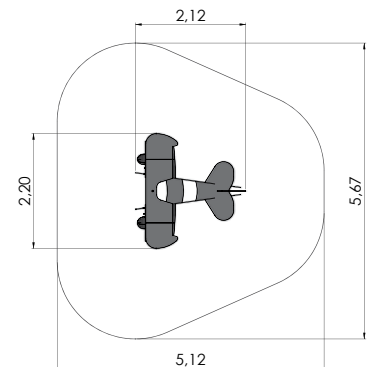
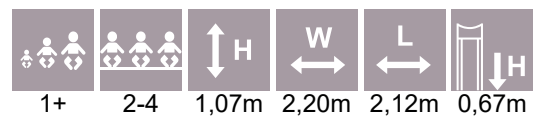
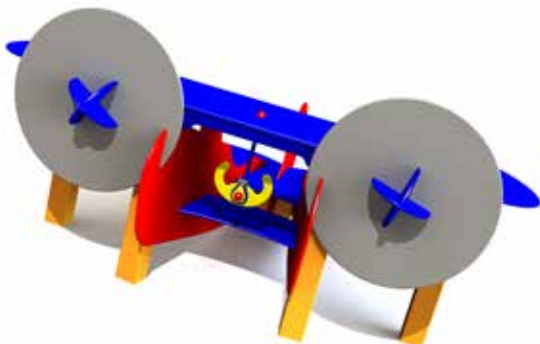
MM135 Cargo plane



NEW!

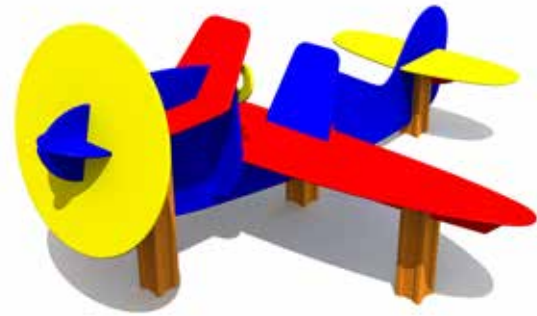
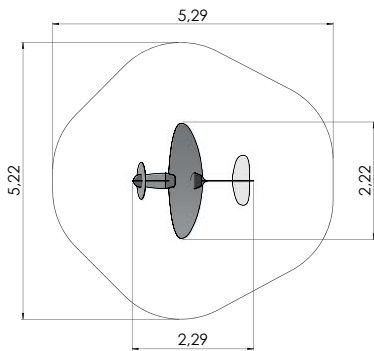
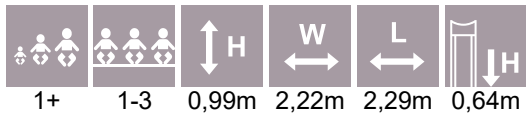


MM131 AIRPLANE

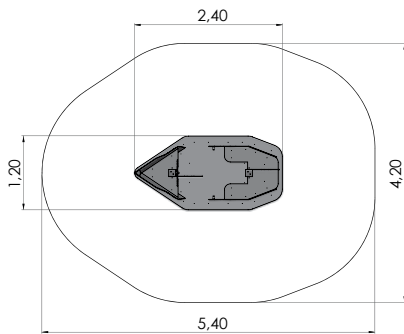
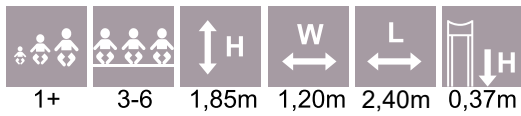


THEME PLAY

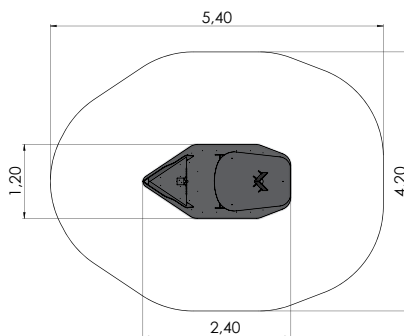
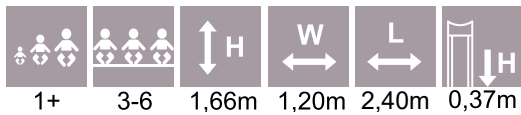
MM132 AIRPLANE small



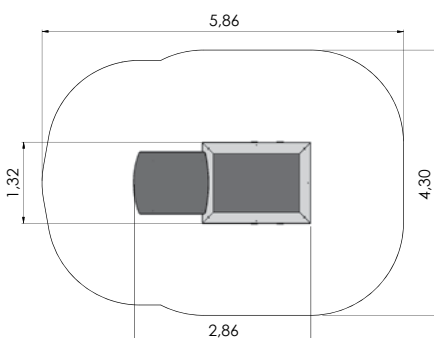
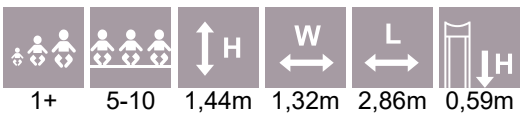
MM120 Playboat TOPU



MM121 Playboat UKU



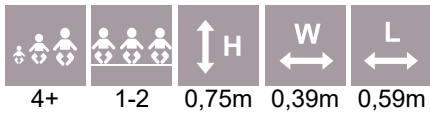
MM123 Playboat TRUCK



THEME PLAY



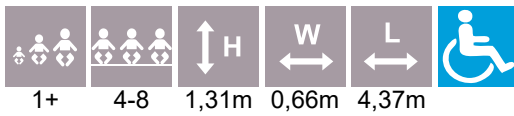
MM140 Gas station



MM141 Gas station



AW11 Play fence

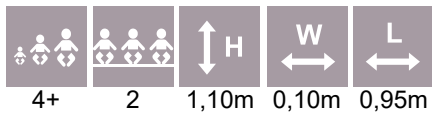


AW10 Activity wall COCKPIT

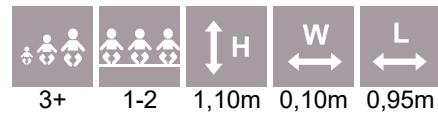


THEME PLAY

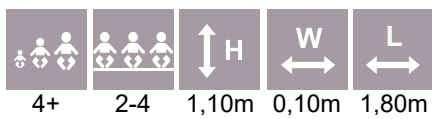
AW05 Activity wall COUNTER



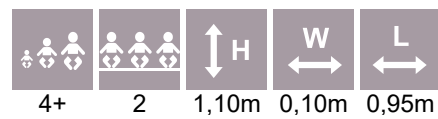
AW04 Activity wall EMOTIONS



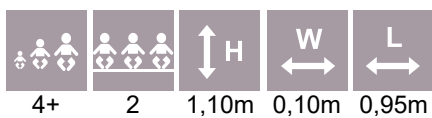
AW06 Activity wall CLOCK & COUNTER



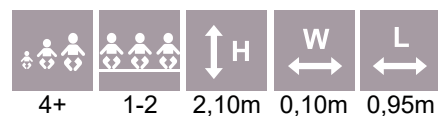
AW07 Activity wall ARITHMETICS 1



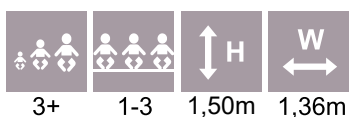
AW08 Activity wall ARITHMETICS 2



AW09 Activity wall ARITHMETICS 3



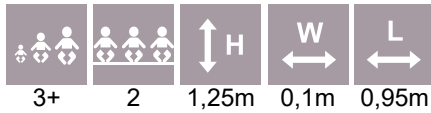
TAH001 Blackboard



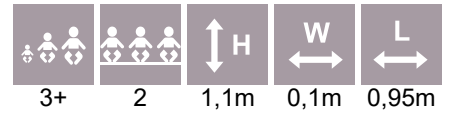
THEME PLAY



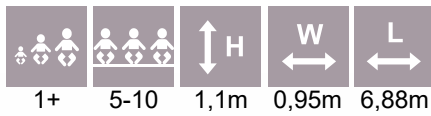
AW13 At ivity wall KITCHEN



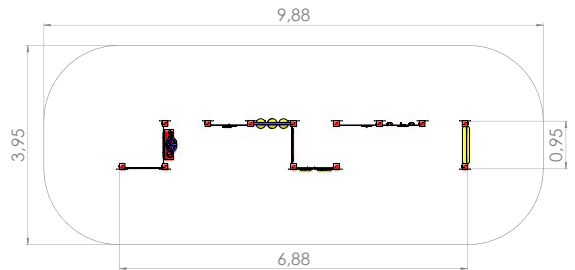
AW14 At ivity wall CAR CABIN



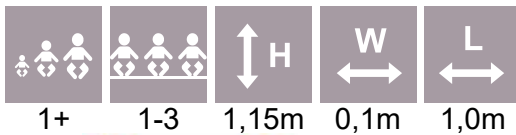
AW15 At ivity train



NEW!



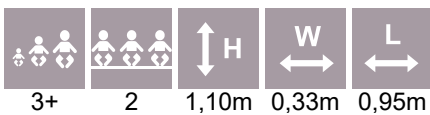
AW12 Play wall for visually impaired kids



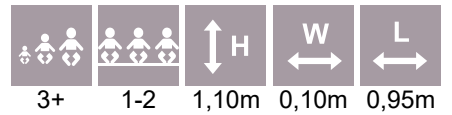
AW01 At ivity wall FLYER



AW02 At ivity wall TIC-TAC-TOE



AW03 At ivity wall CLOCK

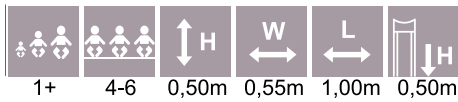




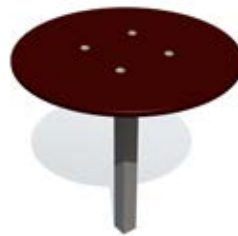
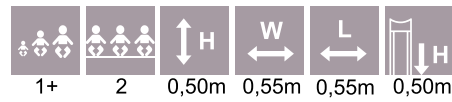
THEME PLAY



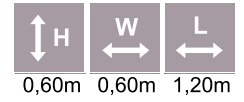
IPL602 Table (oval)



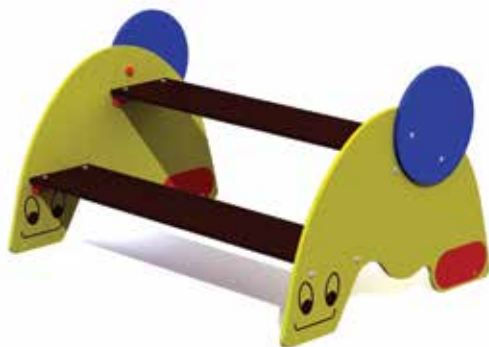
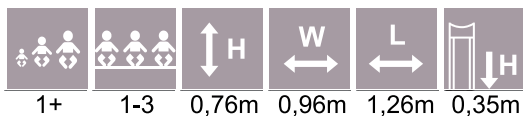
IPL601 Table (round)



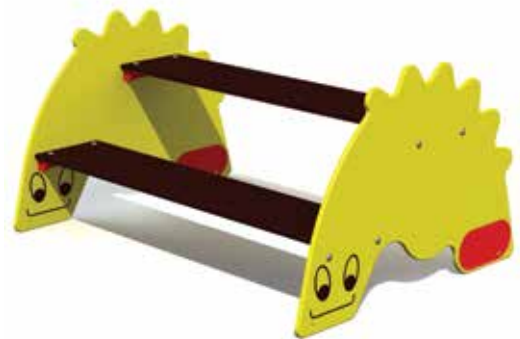
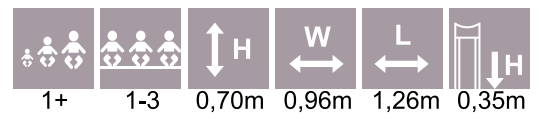
LKA001 Box for toys



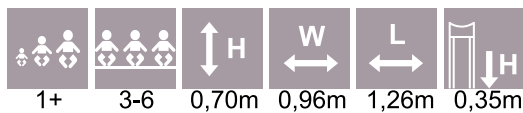
IPK103 Seat and play table SNAIL



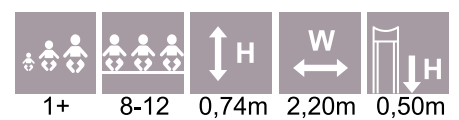
IPK203 Seat and play table CROCO



IPK201 Two-sided seat CROCO



IPR802 Set for a group of children CROCO



SANDBOXES



SANDBOXES

Sand has always fuelled the children's creativity. There probably isn't anyone who hasn't built sand castles, baked sand cakes, dug holes and tunnels in the sand, etc. In our childhood, we all have spent countless hours in the sandbox and want our children to be able to do the same. Tiptaptap's sandboxes are made of durable laminated timber or pressure impregnated eucalypt logs to provide a safe and lasting play area for years. To boost the children's creativity our product series includes optional corner plates, benches, tables, shelters and a bins.





SANDBOXES



LK16 Sandbox

196



LKLP01 Table and seats for sandboxes

197



LK32 Sandbox triangular

196



LKL002 Sandbox playtable

197



LMK001 Sandbox 3x3 with little house

196



LKL003 Sand Play Table

198



LMK003 Play centre BABY with sandbox

196



LKP002 Sandbox seat

198



LK01 Sandboxes on legs

197



LKV10 Sandbox cover

198



LK01-1 Multiform sandbox

197



LKV16-30 Sandbox cover 1,60-3,00m

198

SANDBOXES

SANDBOXES

LK16	Sandbox	1600x	600
LK20	Sandbox	2000x	000
LK30	Sandbox	3000x	000
LK40	Sandbox	4000x	000
LK63	Sandbox	6000x	000



LK32 Sandbox triangular



LMK001 Sandbox 3x3 with little house



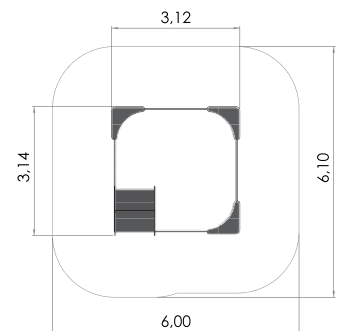
LMK003 Play centre BABY with sandbox



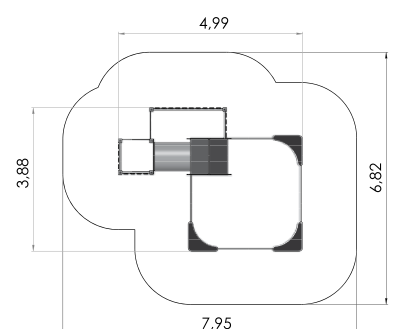
1+	3-6	0,39m	1,60m	1,60m
1+	4-8	0,39m	2,00m	2,00m
1+	5-10	0,39m	3,00m	3,00m
1+	10-15	0,39m	4,00m	4,00m
1+	10-20	0,39m	3,00m	6,00m

1+	5-10	0,39m	3,56m	3,98m

0+	5-10	1,72m	3,12m	3,14m	0,23m

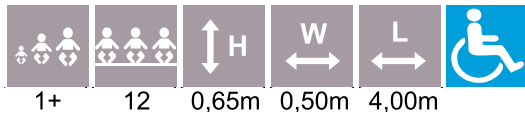


1+	7-14	2,17m	3,88m	4,99m	0,23m

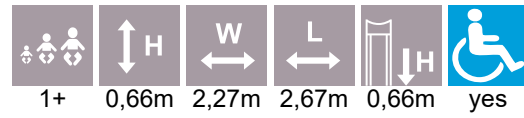


SANDBOXES

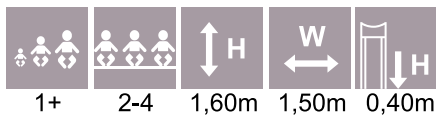
LK01 Sandboxes on legs



LK01-1 Multiform sandbox



LKLP01 Table and seats for sandboxes

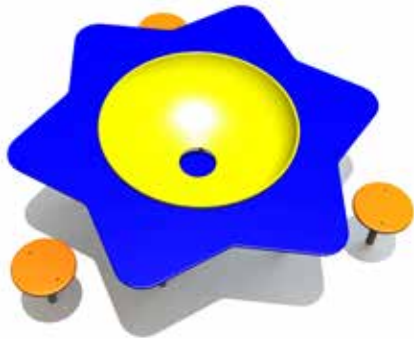
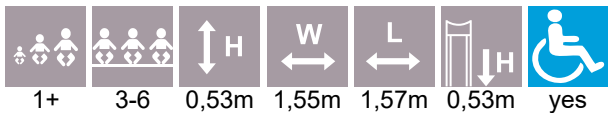


LKL002 Sandbox playable



SANDBOXES

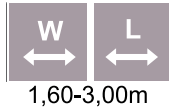
LKL003 Sand Play Table



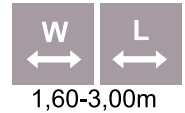
LKP002 Sandbox seat



LKV10 Sandbox o ver

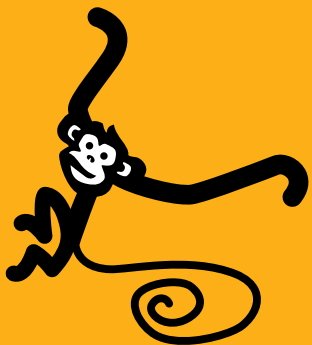
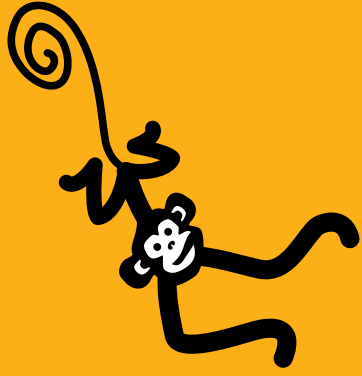


LKV16-30 Sandbox o ver 1,60-3,00m



CAROUSELS





CAROUSELS



KM011 Carousel MOBILE 202



KM005 Carousel APOLLO 203



KM004 Carousel UFO 206



KM010 Carousel MOBILE with handles 202



KM003 Hanging carousel COMET 203



KM009 Carousel SATELLITE 202



KM012 Carousel EUROPE 204



KM008 Carousel ROCKET 202



KM012 B carousel BROOCH 204



KM007 Carousel METEOR 203



KM002 Carousel MOON CIRCLE 204



KM006 Carousel STARLET 203



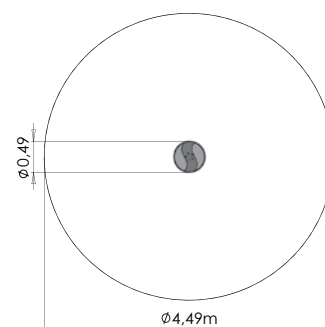
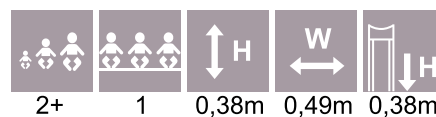
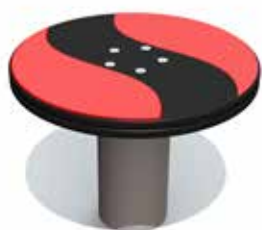
KM001 Carousel SUN WHEEL 204



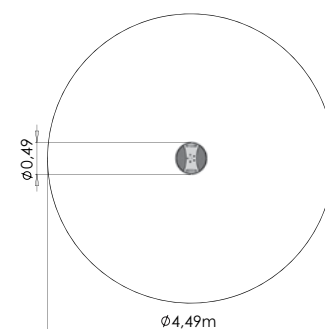
CAROUSELS

CAROUSELS

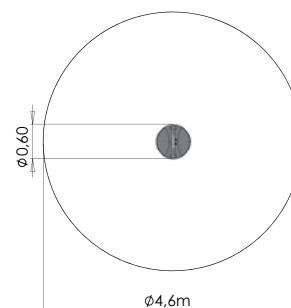
KM011 Carousel MOBILE



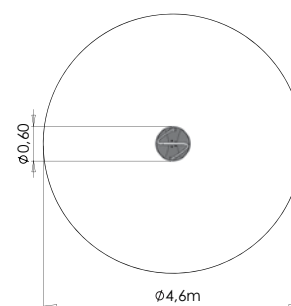
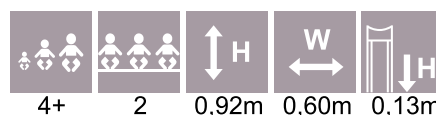
KM010 Carousel MOBILE with handles



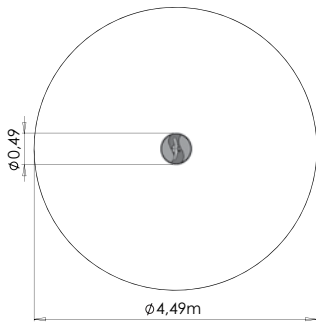
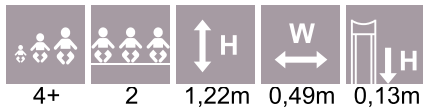
KM009 Carousel SATELLITE



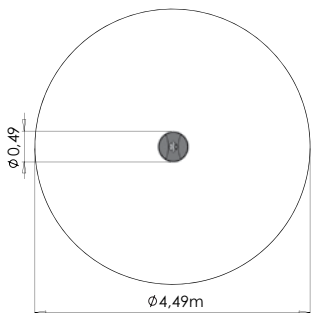
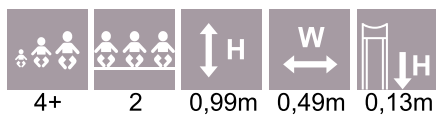
KM008 Carousel ROCKET



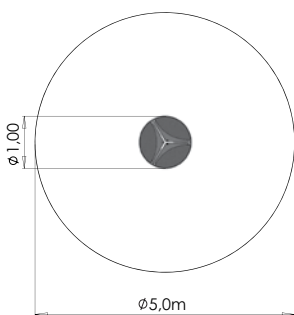
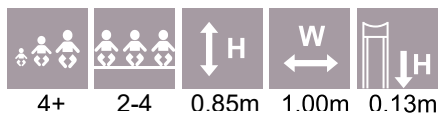
CAROUSELS



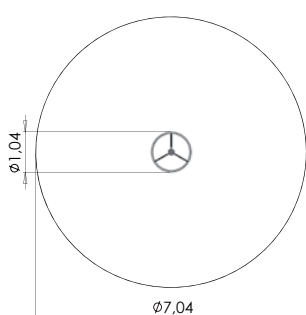
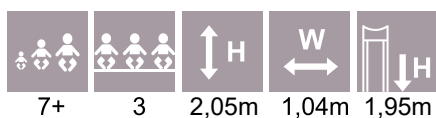
KM007 Carousel METEOR



KM006 Carousel STARLET



KM005 Carousel APOLLO

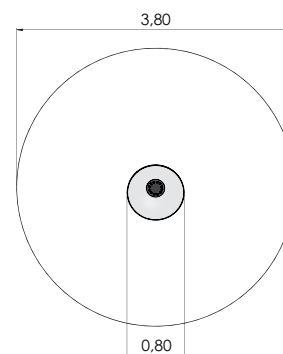
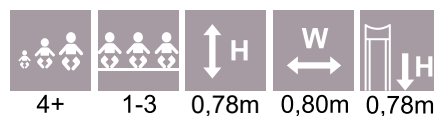


KM003 Hanging carousel COMET

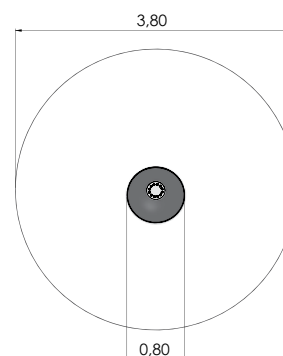
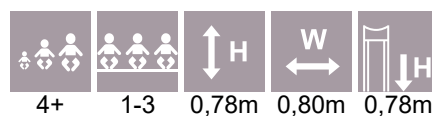


CAROUSELS

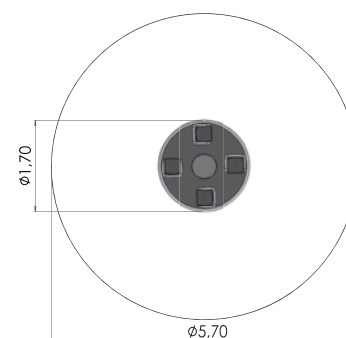
KM012 Carousel EUROPE



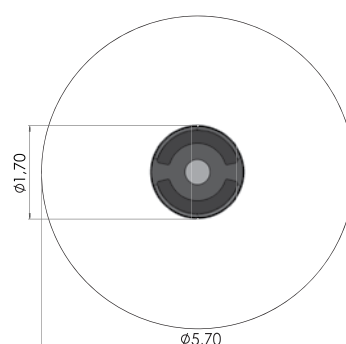
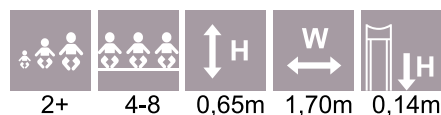
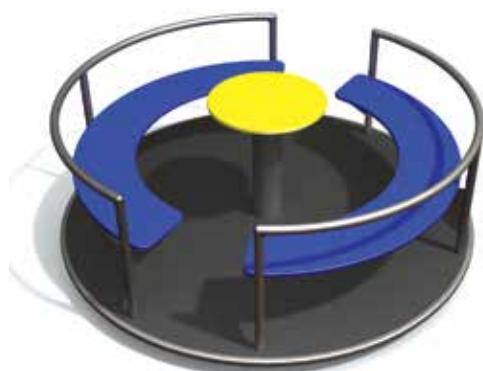
KM012 B a rousel BROOCH



KM002 Carousel MOON CIRCLE



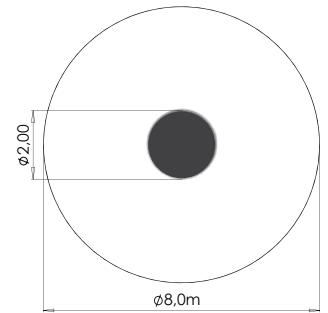
KM001 Carousel SUN WHEEL





CAROUSELS

KM004 Carousel UFO



BALANCING AND EXERCISE





PVP10 Spiral beam SNAKE 210



PLP15 Balance beam 212



RK02 Trapezes of two heights 213



PLP11 Beam 211



PV010 Spring plate BALANCE 212



RK03 Trapezes of three heights 216



PLP11 W Beam (wide) 211



PV012 Balancing plate STEP 212



TSV001-1 Hang bars 2 places 216



PLP12 Beam with slope 211



PV013 Balance stand (0,2m, 0,3m, 0,4m, 0,5m) 213



TSV001 Hang bars 216



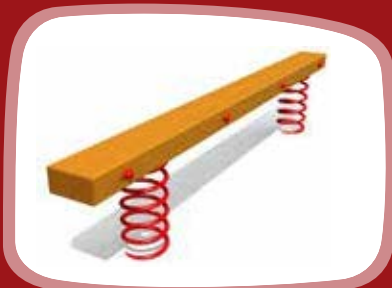
PLP12 W Beam with slope (wide) 211



RS113 Bridge on chains 213



TSV002 Parallel bars 216



PLP13 Spring beam 212



RK01 Trapeze of one height 213



TSV003 Push-up bars 217

BALANCING AND EXERCISE



TSV004 Abdominal training equipment 217



TSV012 Outdoor exercise complex 3 222



TKR007 Balance track 7 224



TSV005 Hanging track 217



TKR001-1 Balance track 1 222



TKR002 Balance track CIRCLE 224



TSV007 Jumping track 217



TKR001-2 Balance track 2 222



TSV100 Stretching wall 224



TKR001 Balancing equipment COMPASS 218



TKR001-4 Balance track 4 223



TSV010 Outdoor exercise complex 1 218



TKR001-5 Balance track 5 223



TSV011 Outdoor exercise complex 2 218









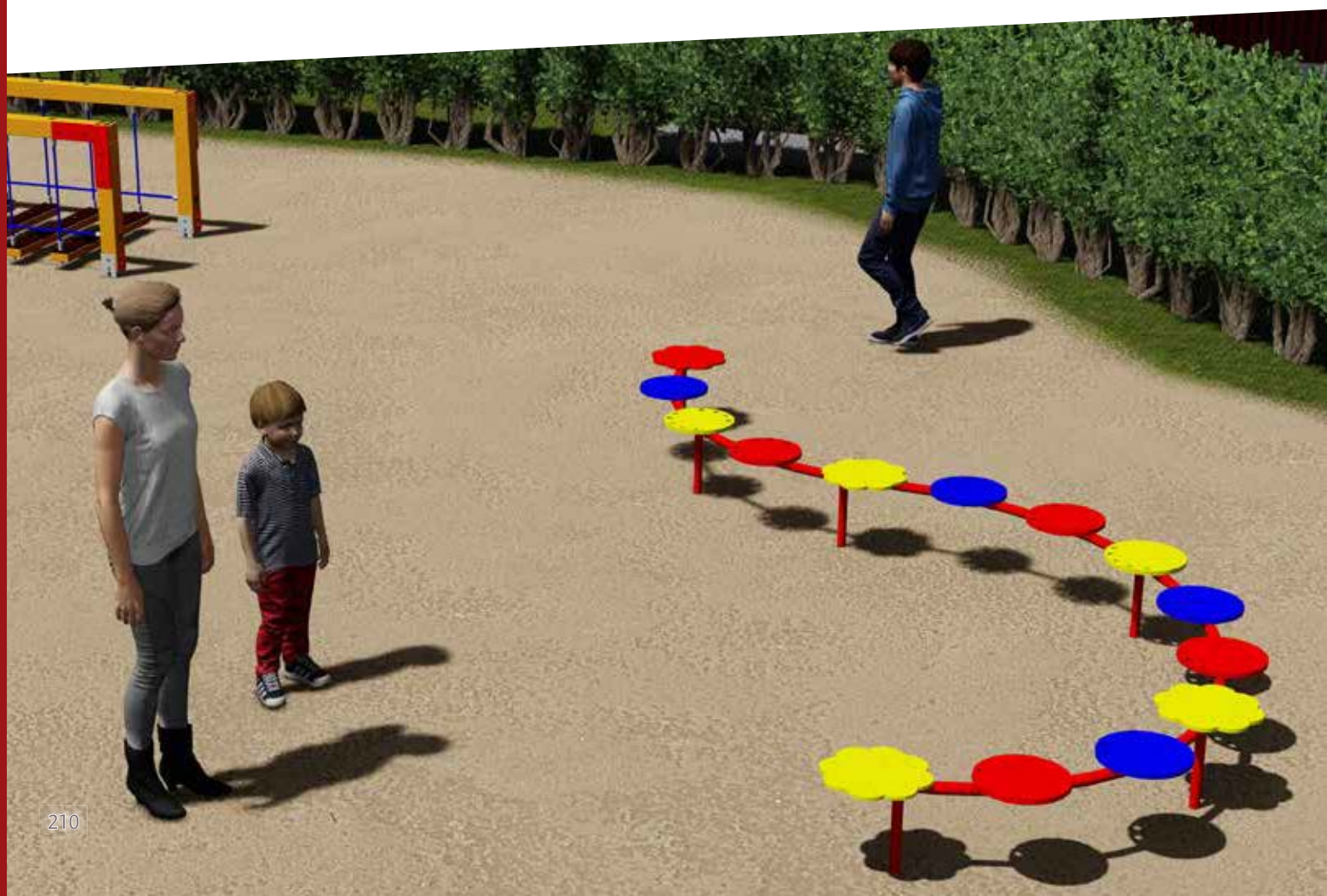
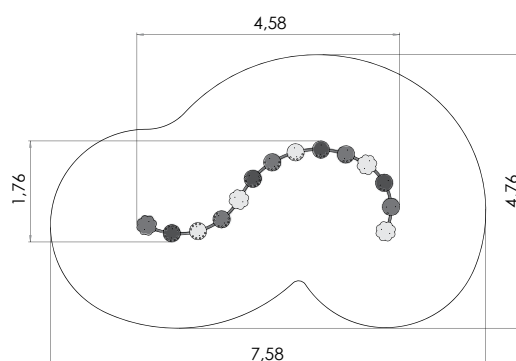
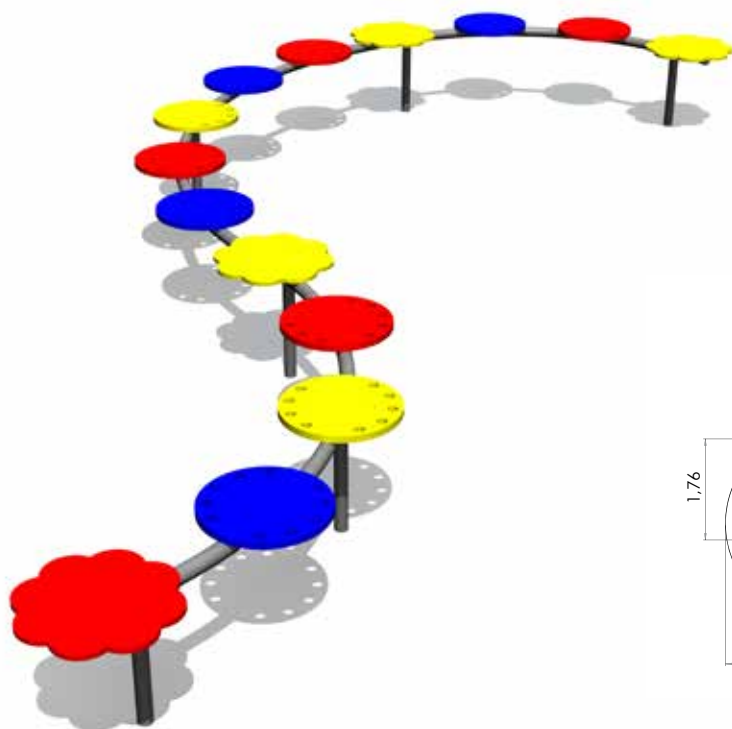
TKR006 Balance track 6 223

BALANCING,
EXERCISE

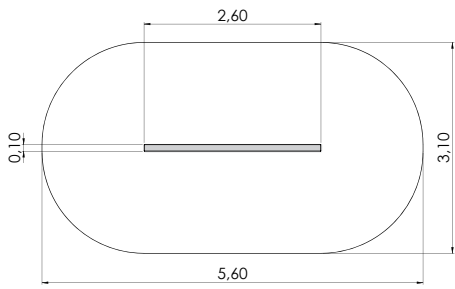
BALANCING AND EXERCISE

PVP10 Spiral beam SNAKE

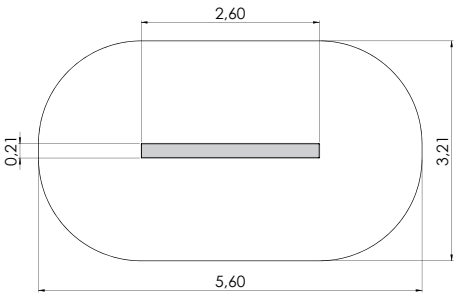
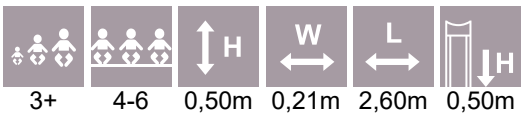
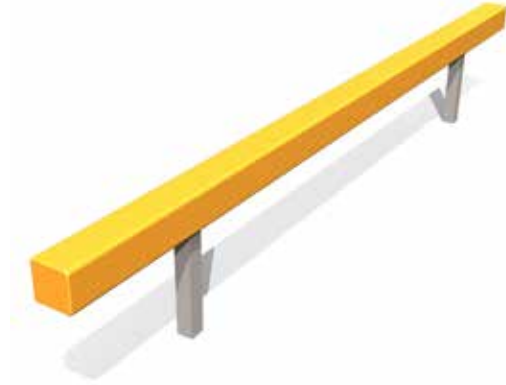
					
3+	14	0,35m	1,76m	4,58m	0,35m



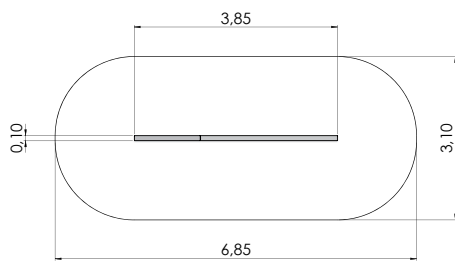
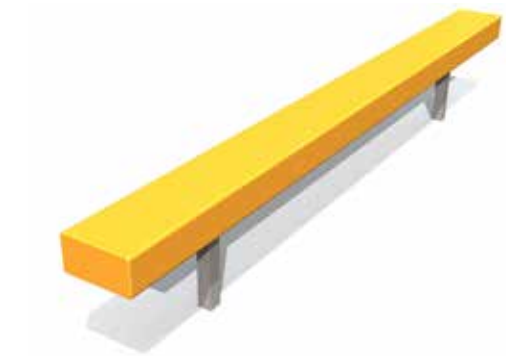
BALANCING AND EXERCISE



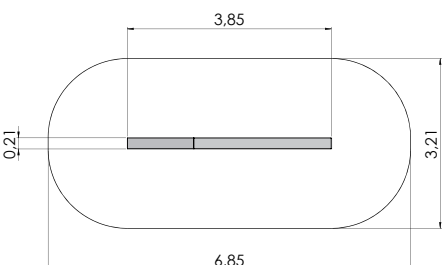
PLP11 Beam



PLP11 W Beam (wide)



PLP12 Beam with slope

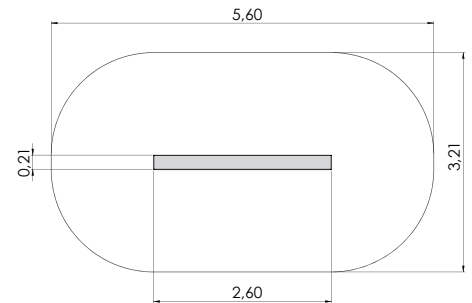
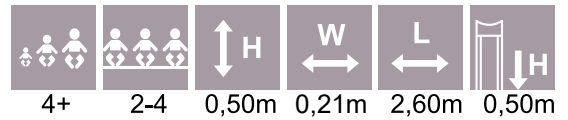
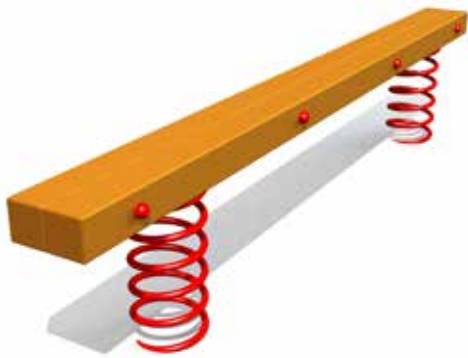


PLP12 W Beam with slope (wide)

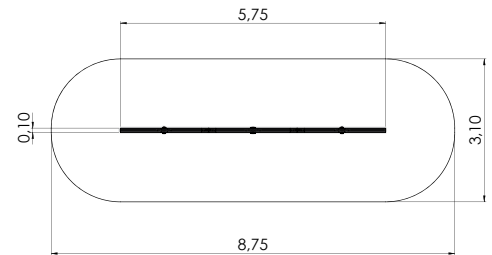


BALANCING AND EXERCISE

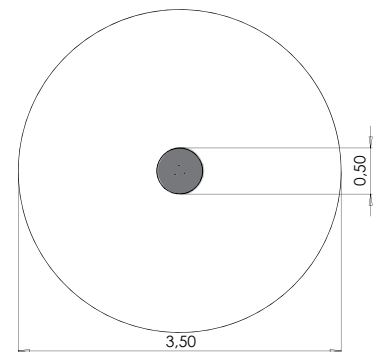
PLP13 Spring beam



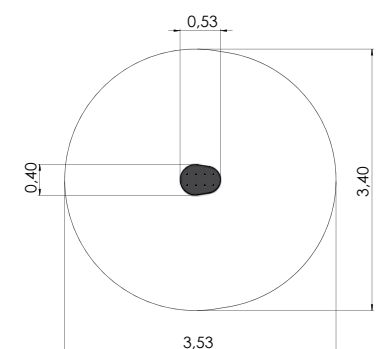
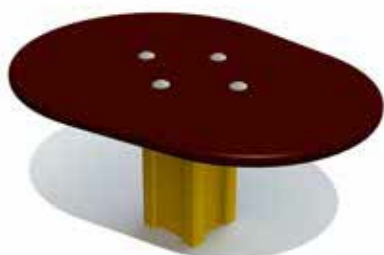
PLP15 Balance beam



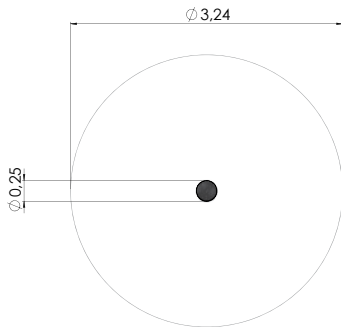
PV010 Spring plate BALANCE



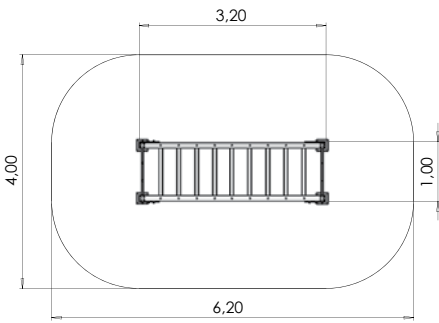
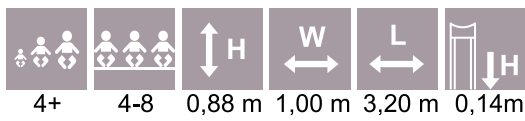
PV012 Balancing plate STEP



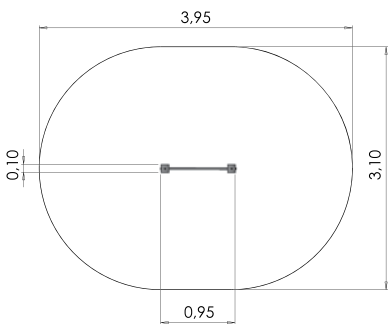
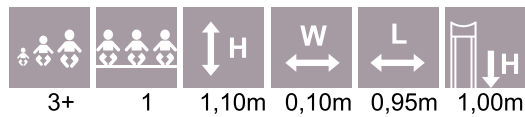
BALANCING AND EXERCISE



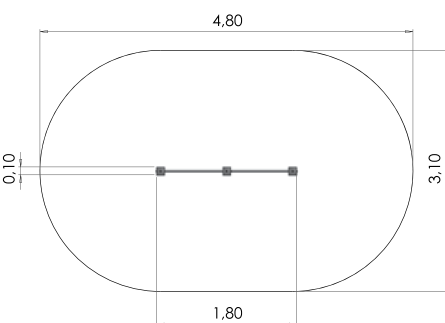
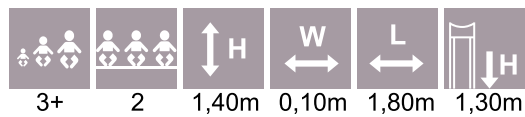
PV013 Balane stand (0,2m, 0,3m, 0,4m, 0,5m)



RS113 Bridge on b ains



RK01 Trapez of one height



RK02 Trapez s of two heights

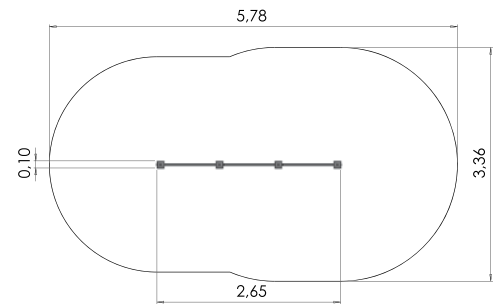




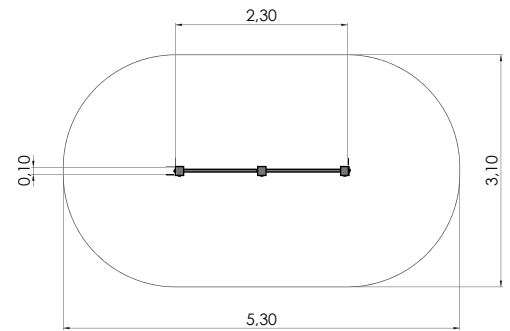


BALANCING AND EXERCISE

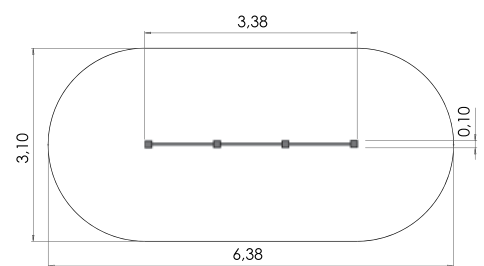
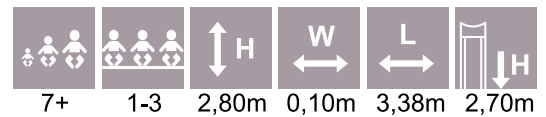
RK03 Trapez s of three heights



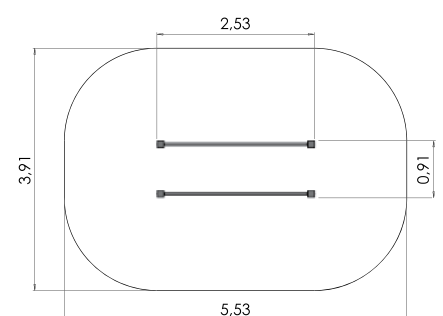
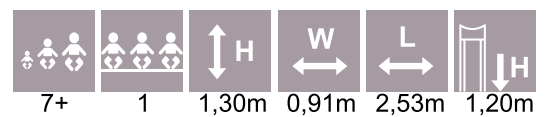
TSV001-1 Hang bars 2 plaes



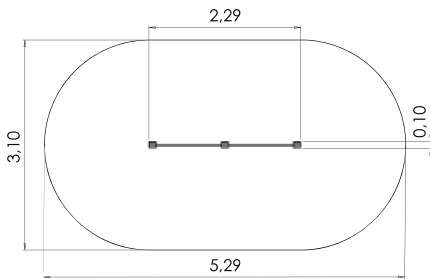
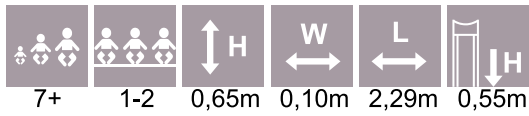
TSV001 Hang bars



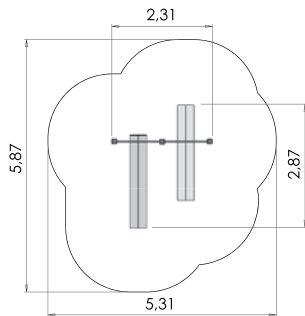
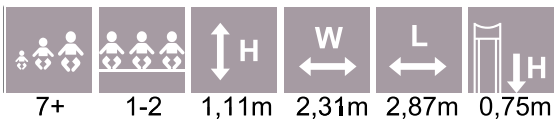
TSV002 Parallel bars



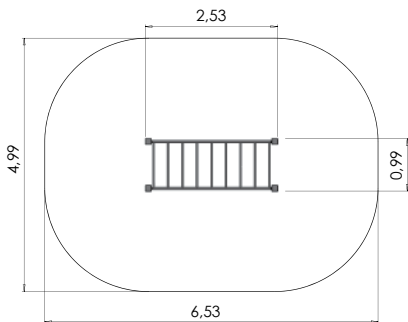
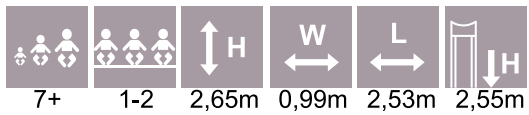
BALANCING AND EXERCISE



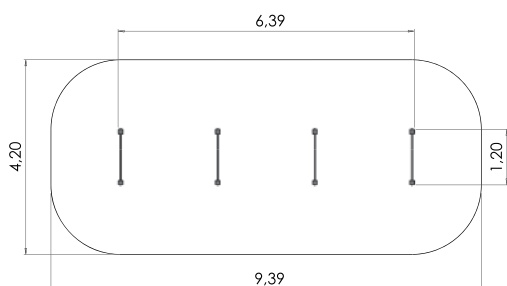
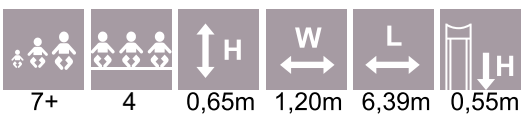
TSV003 Push-up bars



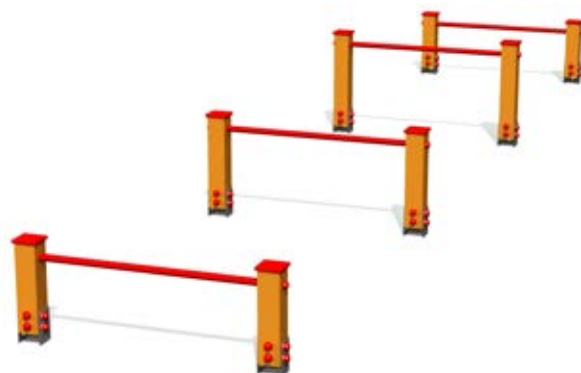
TSV004 Abdominal training equipment



TSV005 Hanging track

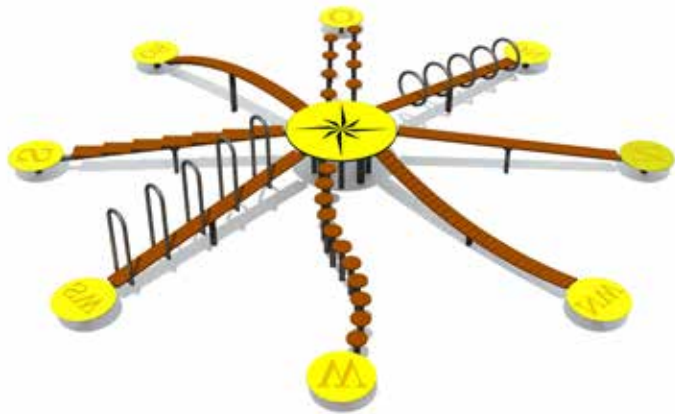


TSV007 Jumping track

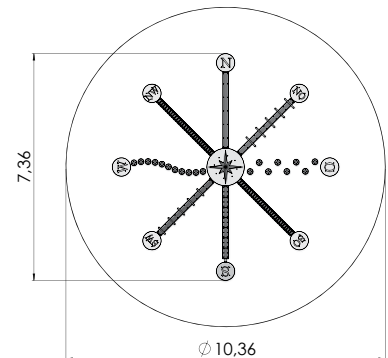


BALANCING AND EXERCISE

TKR001 Balancing equipment COMPASS



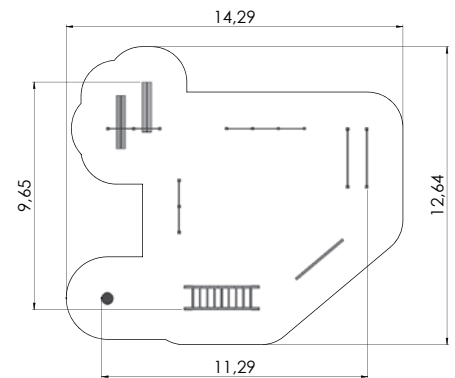
4+	8-16	1,30m	7,36m	7,36m	0,57m



TSV010 Outdoor exercise complex 1



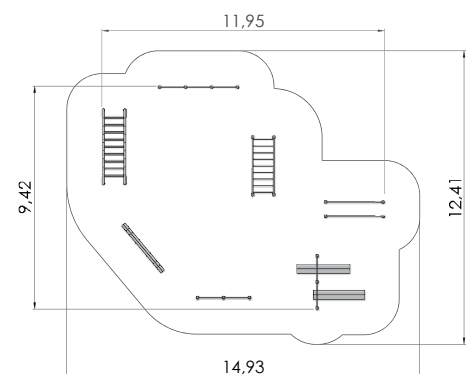
5+	11	2,80m	9,65m	11,29m	2,70m



TSV011 Outdoor exercise complex 2



5+	11	2,80m	9,42m	11,95m	2,70m





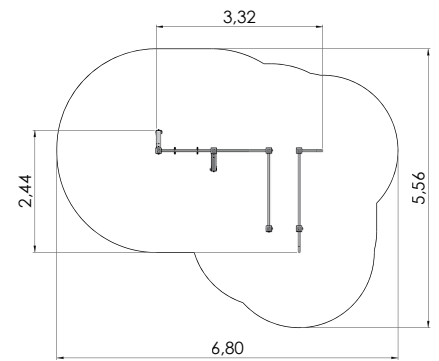
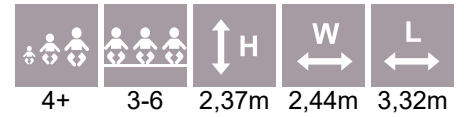




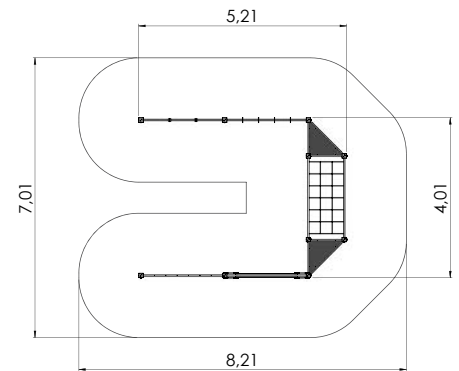
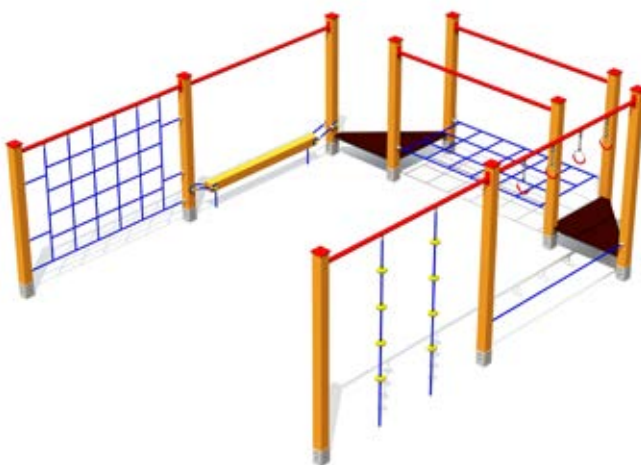
BALANCING
EXERCISE

BALANCING AND EXERCISE

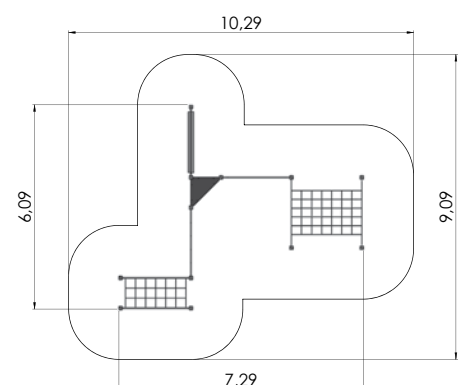
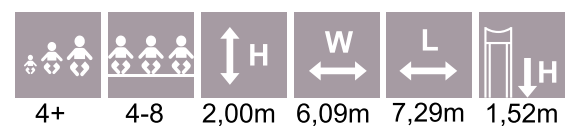
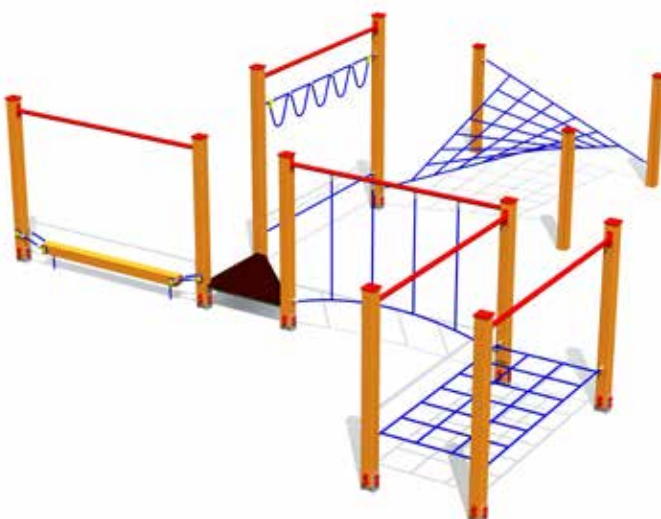
TSV012 Outdoor exercise complex 3



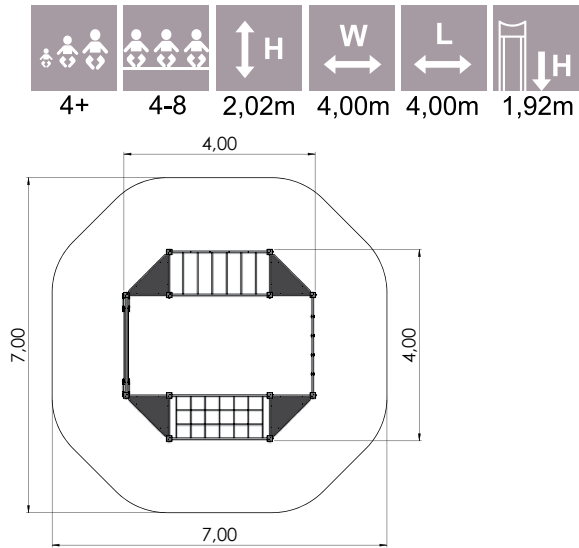
TKR001-1 Balane trač 1



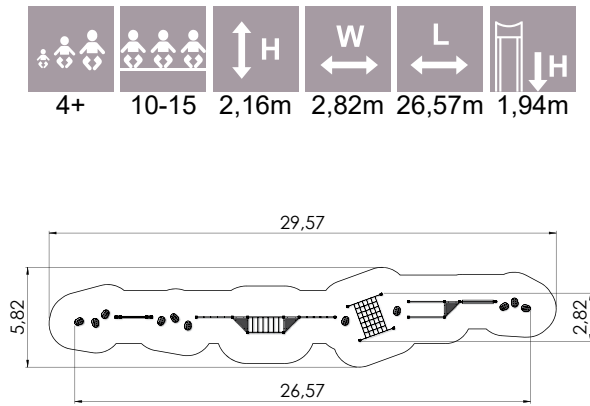
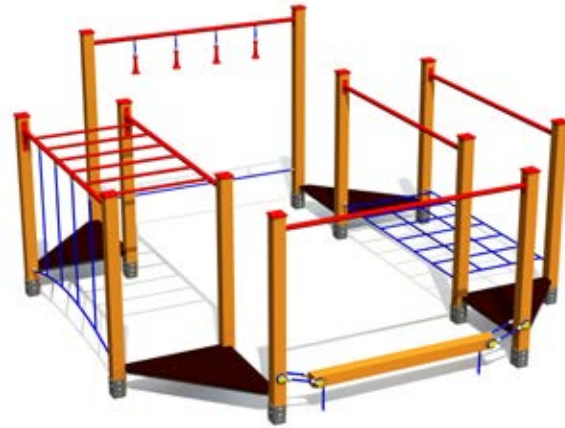
TKR001-2 Balane trač 2



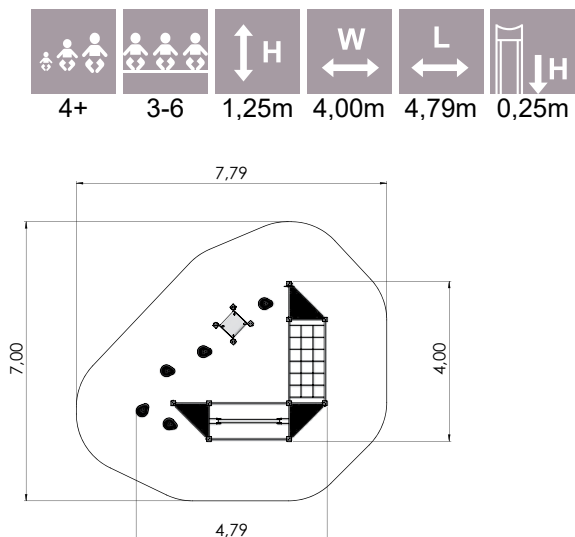
BALANCING AND EXERCISE



TKR001-4 Balane trak 4

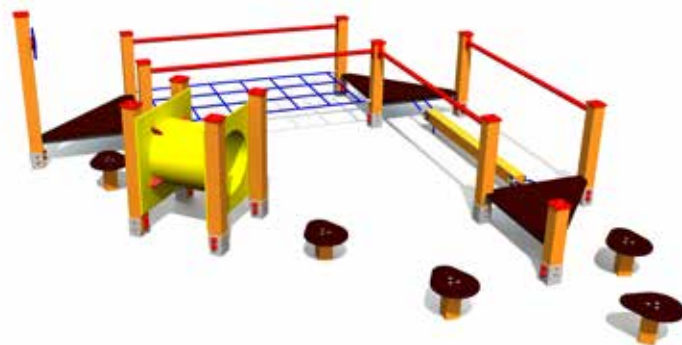


TKR001-5 Balane trak 5



TKR006 Balane trak 6

NEW!



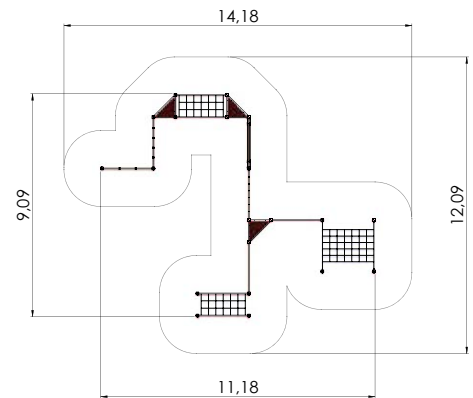
BALANCING AND EXERCISE

TKR007 Balance track 7

NEW!

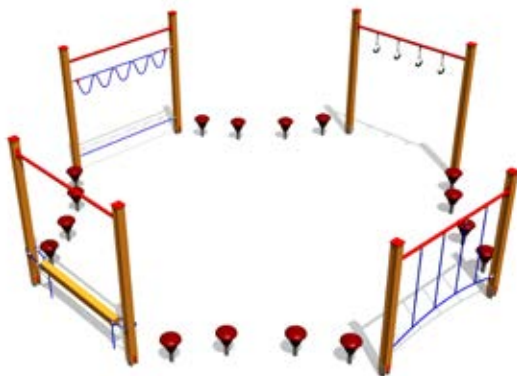


4+	10-15	2,16m	9,09m	11,18m	1,94m

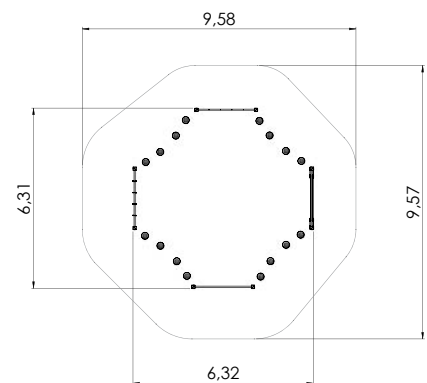


TKR002 Balance track CIRCLE

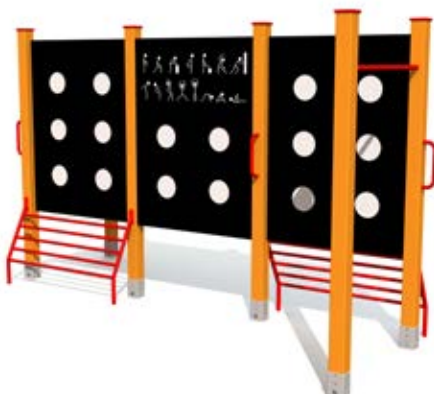
NEW!



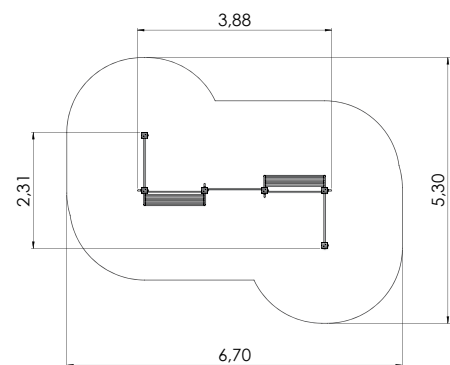
4+	7-14	2,15m	6,31m	6,32m	1,92m



TSV100 Stretching wall



12+	3-6	2,22m	3,88m	2,31m



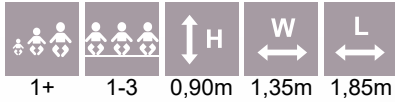
PLAY ELEMENTS



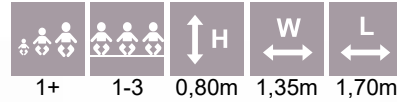
PLAY ELEMENTS

The 3D rubber animals on the playground are real eye-appealers - the exciting bright-colored features draw you near like magnets! Children won't miss out a single opportunity because they can climb on the rubber animals which boost their fantasy and create a fun play environment. Who would not want to fly a ladybird, ride on the back of a huge dog, hug a dolphin or crawl inside a seashell? Small toddlers will be excited by this three-dimensional world into which the playground has turned thanks to the 3D rubber animals. Although the rubber animals are normally attached to the ground, they can be placed loosely meaning that the animals can be rearranged to create new and more exciting play areas.

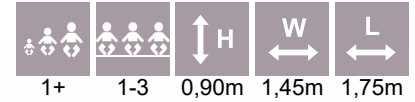
RMF 4.01 LADYBIRD



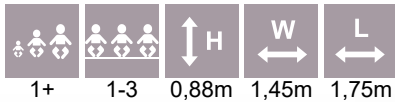
RMF 4.07 OCTOPUS



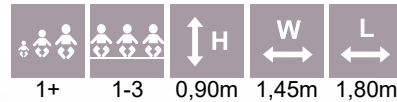
RMF 4.14 FROG



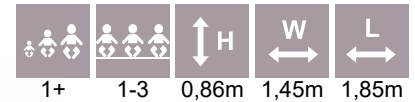
RMF 4.08 DINOSAUR



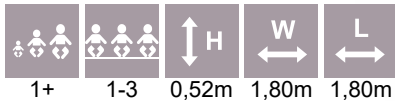
RMF 4.10 BEE



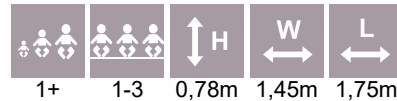
RMF 4.25 DONKEY



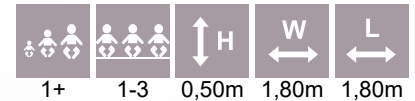
RMF 4.12 CRAB



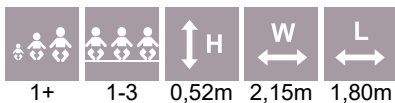
RMF 4.13 DOG



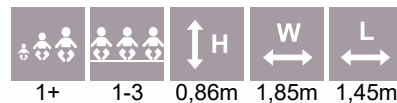
RMF 4.18A SPHERE



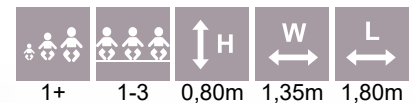
RMF 4.21 WHALE



RMF 4.31 SNAIL

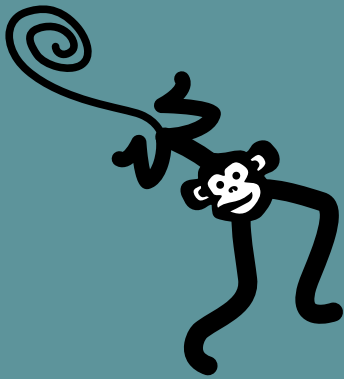


RMF 4.27 PENGUIN



SPORTS EQUIPMENT





KPK02 Basketball construction 230



KPK08 Basketball construction 230



KPK09 Basketball construction 230



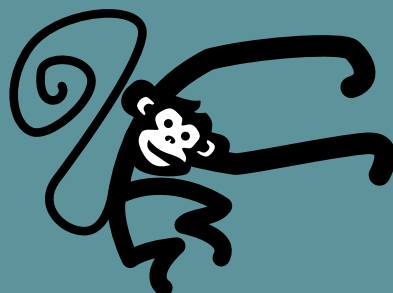
KPK03 Basketball construction 230



KPK01 Basketball construction 230



KPK04 Basketball construction 230



SPORTS EQUIPMENT



KPK05 Basketball construction TEDDY BEAR 231



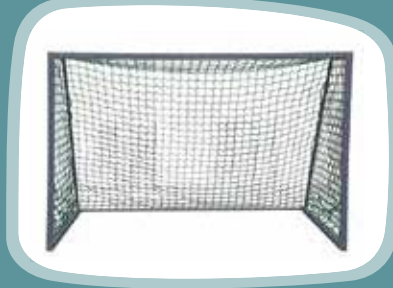
JPV01 Football gate for children 232



MFS100-1 MF FR Multiarena 10m x 6m 234



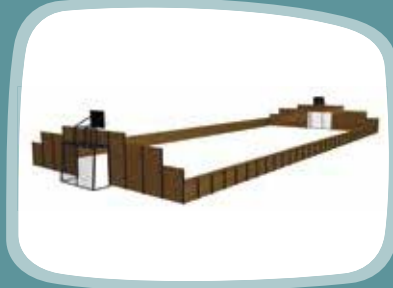
KPKL01 Backboard and a ring 231



JPV02 Football gate 2x3 m with net 232



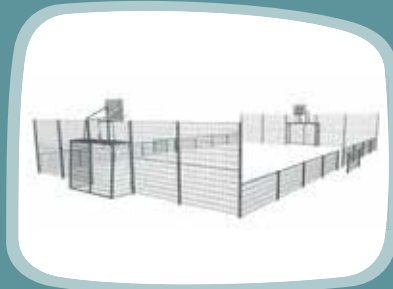
KPKR02 Urban basketball ring 231



MFS001 Multifunctional Arena wooden 31m x 16m 232



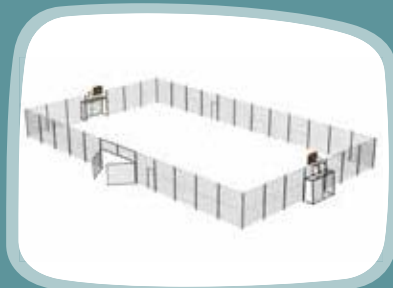
KPKR01 Backboard ring with net 231



MFS002 Multiarena metal 13m x 21m 232



PSE001 Ball wall 2,5x2,3m 231



MFS003 Multifunctional Arena metal 18m x 30m 234



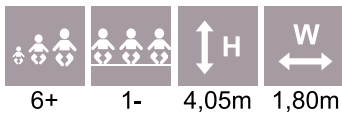
SS100 Volleyball metalposts 231



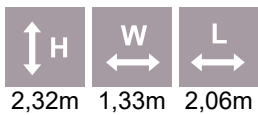
MFS100 MF FR Multiarena 6m x 4m 234

SPORTS EQUIPMENT

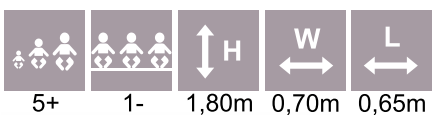
KPK02 Basketball o nstru tion for adults



KPK09 Basketball o nstru tion three heights



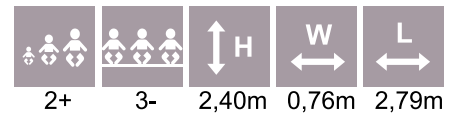
KPK01 Basketball o nstru tion for b ildren



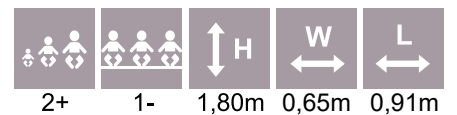
KPK08 Basketball o nstru tion, ba&b oard 1,20 ,9, ring with nylon net



KPK03 Basketball o nstru tion with 3 rings TRIO

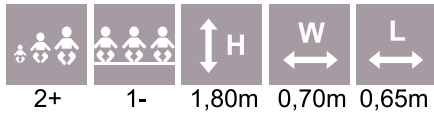


KPK04 Basketball o nstru tion for b ildren

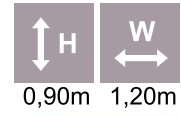


SPORTS EQUIPMENT

KPK05 Basketball o nstru tion
TEDDY BEAR



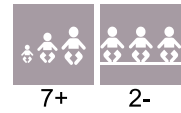
KPKL01 Basketball board and a ring
(nylon net)



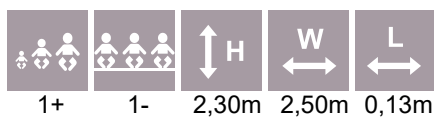
KPKR02 Urban basketball ring
with black net



KPKR01 Basketball board ring with net



PSE001 Ball wall 2,5x 3m

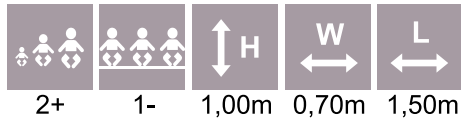


SS100 Volleyball metalposts
with ground sleeves and net

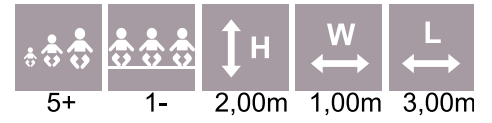


SPORTS EQUIPMENT

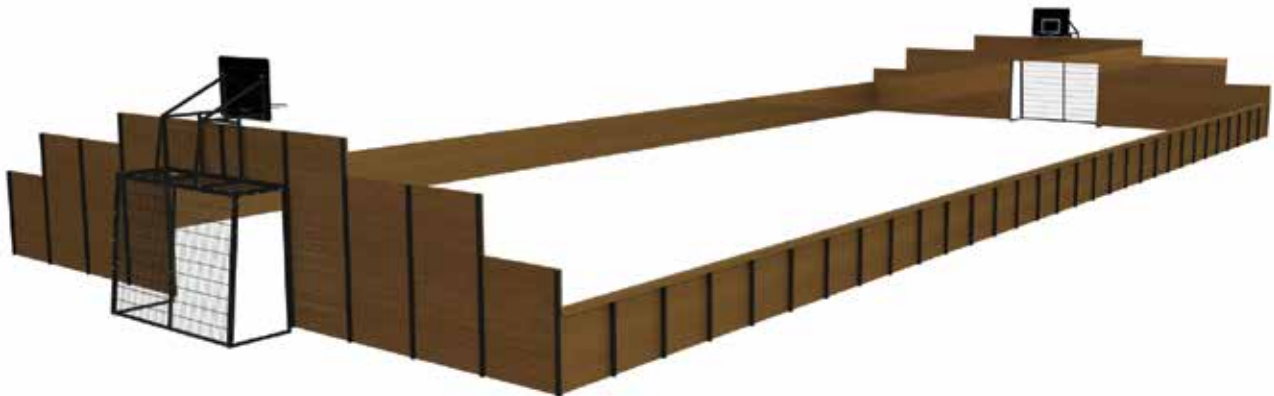
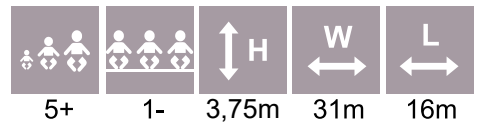
BP V01 Football gate for children 1x1,5m with net



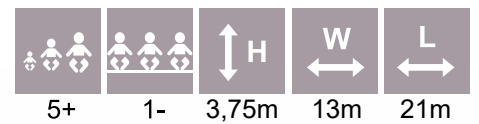
BP V02 Football gate 2x3 m with net



MFS001 Multifunctional Arena wooden 31m x 16m



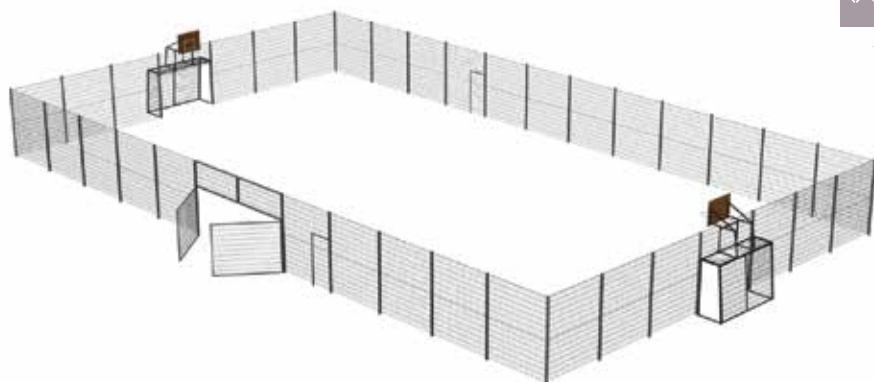
MFS002 Multiarena metal 13m x 21m










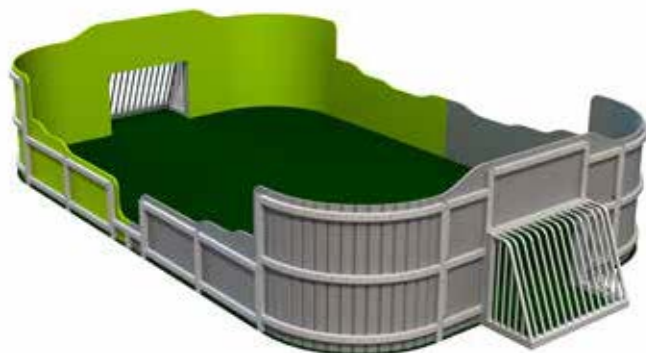
SPORTS EQUIPMENT





MFS003 Multifunt ional Arena metal 18m x 30m



				
5+	1-	3,75m	18m	30m

MFS100 MF FR Multiarena 6m x 4m







			
4+	1,34m	4,12m7,18m	

MFS100-1 MF FR Multiarena 10m x 6m

NEW!



			
4+	1,34m	7,2m	11,2m









STREET WORKOUT



STREET WORKOUT



WO 02 FLORIDA SET



					
14+	6	2,70m	4,55m	4,65m	1,50m







WO 01 CALIFORNIA SET



					
14+	6	2,70m	4,90m	8,20m	1,50m







WO 03 KENTUCKY XS SET








					
14+	3	2,70m	1,29m	4,69m	1,50m

WO 04 IDAHO SET

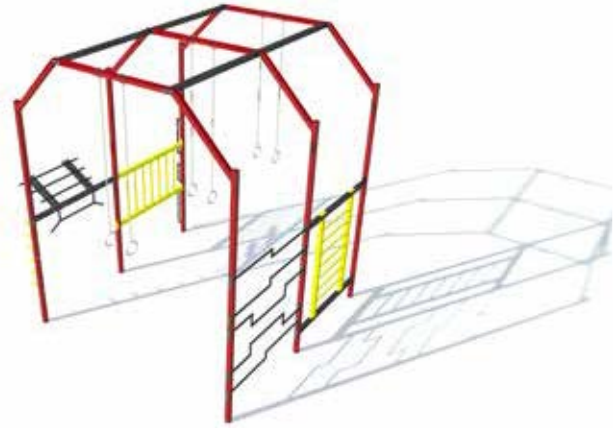








					
14+	3-6	2,70m	1,29m	7,09m	1,50m

STREET WORKOUT

				
14+	3-6	6m	4,89m	5,69m

WO 05 WORKOUT BARN SET



					
14+	5-10	3,00m	5,96m	9,37m	2,2m

WO 06 NEBRASKA SET



STREET WORKOUT

WOS 1 BOSTON SET



14+	1-3	2,5m	1,85m	5,28m	2,3m

WOS 2 ATLANTA SET



14+	2-4	3,3m	4,65m	5,28m	2,8m

WOS 3 NEW YORK SET



14+	3-6	3,3m	5,24m	5,94m	2,8m

WOS 4 WASHINGTON SET



14+	4-8	3,3m	6,0m	6,58m	2,8m

A woman with long brown hair in a ponytail is smiling while using an outdoor fitness machine. She is wearing a white and grey striped tank top with a neon green waistband and black leggings. The machine is grey with black handles. The background is a bright green grassy field under a clear sky.

OUTDOOR TRAINING EQUIPMENT



BFCH-04-12 2D set A 241



BFCH-01-02-03-05-12 5D set B 242



BFCH04 Space Walker 244



BFCH13 Parallel Bars 245



BFCH-03-05 2D set B 241



BFCH-02-03-04-05-12 5D set A 242



BFCH05 Seated Pedal Trainer 244



BFCH14 Taiji Wheels 248



FCH-04-12-15 3D set A 241



1D, 2D, 3D, 5D Main Pole 242



BFCH06 Arm Wheel 244



BFCH15 Riding Trainer 248



BFCH-02-12-15 3D set B 241



BFCH01 Push chair 242



BFCH08 Waist Movement Trainer 244



BFCH18 Bicycle 248



BFCH-02-04-05 3D set C 241



BFCH02 Pull Chair 242



BFCH10 Wab Board 244



BFCH19 Rowing Trainer 248



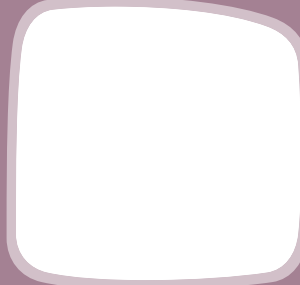
BFCH-02-04-12 3D set D 241



BFCH03 Surfboard 244



BFCH12 Elliptical Cross Trainer 245



PRL- RB1 Recumbent bike 248

OUTDOOR TRAINING EQUIPMENT

BFCH-04-12 2D set A

12+	2	2,0m	0,71m	3,33m



BFCH-03-05 2D set B

12+	2	2,0m	0,81m	2,08m



BFCH-04-12-15 3D set A

12+	3	1,85m	2,89m	3,18m



BFCH-02-12-15 3D set B

12+	3	1,85m	2,47m	3,32m



BFCH-02-04-05 3D set C

12+	3	1,85m	2,42m	2,57m



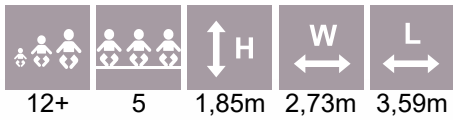
BFCH-02-04-12 3D set D

12+	3	1,80m	2,65m	3,18m

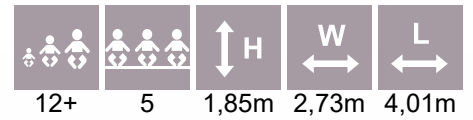


OUTDOOR TRAINING EQUIPMENT

BFCH-01-02-03-05-12 5D set B



BFCH-02-03-04-05-12 5D set A



1D
Main Pole



2D
Double Main Pole



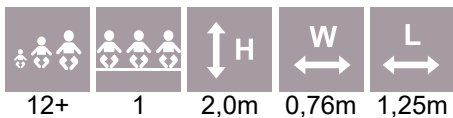
3D
Three-main Pole



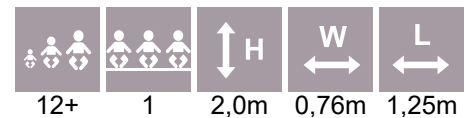
5D
Five-main Pole



BFCH01 Push b air



BFCH02 Pull Chair





 Tiptap^{OL}



Juhised

Istuge toolil seljaga seadma poole ja hoidke käepidemeid mõlema käega. Tõugake jõuga aeglaselt ülespoole ja aeglaselt alla tagasi. Korrake liigutust.






Instructions

Sit on the chair with back towards the equipment and hold the handles with both hands. Push upward slowly with force and recover slowly. Repeat the process.

WWW.TIPTAP.EE






OUTDOOR TRAINING EQUIPMENT

BFCH03 Surfboard

				
12+	1	2,0m	0,81m	1,15m








BFCH04 Spae Walker

				
12+	1	2,0m	0,83m	1,68m








BFCH05 Seated Pedal Trainer

				
12+	1	2,0m	0,61m	1,68m








BFCH06 Arm Wheel

				
12+	1	2,0m	1,14m	0,80m








BFCH08 Waist Movement Trainer

				
12+	1	2,0m	1,66m	1,09m








BFCH10 Wab Board

				
12+	1	2,0m	1,53m	1,06m








OUTDOOR TRAINING EQUIPMENT

BFCH12 Elliptia I Cross Trainer

				
12+	1	2,0m	0,61m	1,52m



BFCH13 Parallel Bars

				
12+	1	2,0m	1,53m	1,0m







Tiptap^{OU}

OUTDOOR TRAINING EQUIPMENT

BFCH14 Taiji Wheels

12+	1	2,0m	1,14m	0,88m



BFCH15 Riding Trainer

12+	1	2,0m	0,83m	1,68m



BFCH18 Bigt e

12+	1	2,0m	0,81m	1,15m



BFCH19 Rowing Trainer

12+	1	2,0m	0,81m	1,15m



OUTDOOR FURNITURE





VP001 Shelter with wooden floor, 3x4m

254



VP003 3x6 Shelter with wooden floor

254



VP010 Shelter with wooden floor, 4x4,9m

254



VP006 4x6 Shelter

254



VP002 Shelter 3x4m

254



VP004 3x6 Shelter

254



OUTDOOR FURNITURE



VP005 4x6 Shelter with wooden floor 254



VLE004 Pavilion hexagonal 9,5 m2



IPPS02 Park bench SAUE 256



VP007 SHELTER 3 walls, 4x6m 254



VLE005 Pavilion (14 m2) 255



IPPN01 Park bench HIIU 256



VP100 SHELTER 4x9 m 255



111127 Shelter for 5 bicycles 255



IPPT12 Park bench TISKRE 256



VP008 Storeroom 255



1111231 Shelter for 5 bicycles 255



PP203 Park bench KILLI 256



VP009 Storage box with lid 255



111128 Shelter for 10 bicycles 255



IPPS03 Table SAUE 256



VLE001 Pavilion hexagonal (6 m2) 255



111132 Shelter for 10 bicycles 255



IPPS01 Park bench SAKU 256



PP204 Park bench SAUGA 256



HP1001 Rest railing 257



PP002 Picnic table RONDO 258



IPPK02 Park bench HARKU 256



IPPB01 Park bench on concrete legs KERNU 257



PP007 Park Bench RUSTIC 258



IPPT01 Park bench TARTU 257



PP302 Park bench KEILA S 257



IPPB03 Park bench on concrete legs RAE 258



IPPK03 Swing bench LUIGE 257



PPB402 Park bench on concrete legs KUNDA S 257



PP101 Park bench ROMANTICO 258



PP303 Park bench KEILA S+ 257



IPPB02 Park bench on concrete legs KOSE 258



PP005 Picnic table large 258



PPB403 Park bench on concrete legs KUNDA S+ 257



PP100 Park bench PLAZA 258



CC01 Changing cabin 258

OUTDOOR FURNITURE



PKR001 Dustbin, 30 L 260



PKR200 Litter bin ARCO, 85l 260



JH005 Bicycle holder, 4 places 261



PKR003 Concrete trash 260



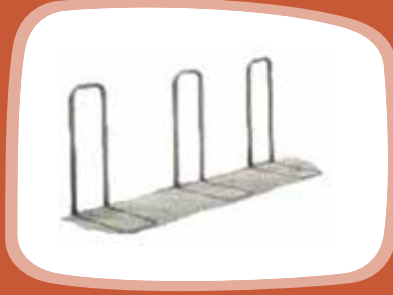
PKR014 Concrete trash, 55L 260



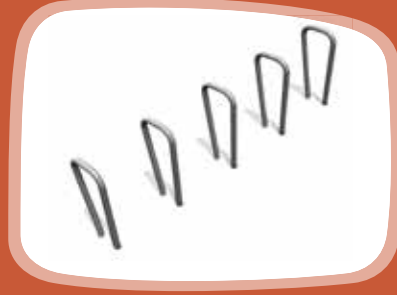
JH006 Bicycle holder, 6 places 261



PKR007 Dustbin, 60 L 260



JH001 Bicycle holder 2 places 261



JH004-1 Bicycle holder, 2 places 261



PKR004 Concrete trash bin 260



JH003 Bicycle holder 3 places 261



JH002 Bicycle holder 6 places 261



PA642 Litter bin REDONDA 260



JH007 Bicycle holder, 6 places 261



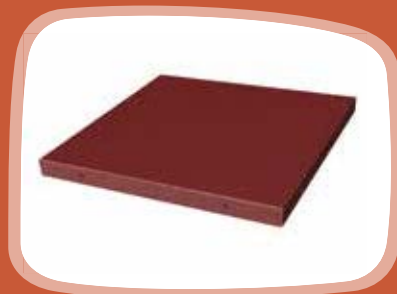
JH100 Scooters holder 7 places 261



PKB002 Concrete trash 260



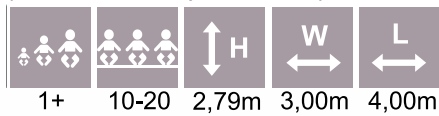
JH004 Bicycle holder, 2 places 261



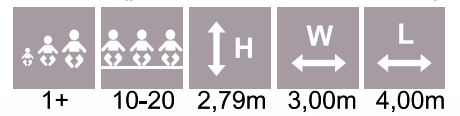
Rubber tiles 262

OUTDOOR FURNITURE

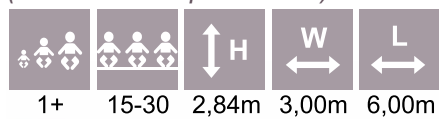
VP001 Shelter with wooden floor, 3x4m
(two walls and plastic roof)



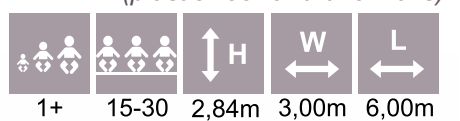
VP002 Shelter 3x4 m
(plastic roof and two walls)



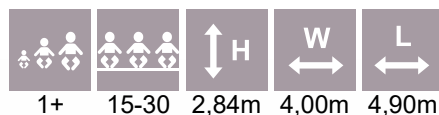
VP003 3x6 Shelter with wooden floor
(two walls and plastic roof)



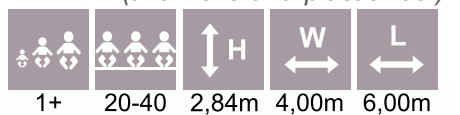
VP004 3x6 Shelter
(plastic roof and two walls)



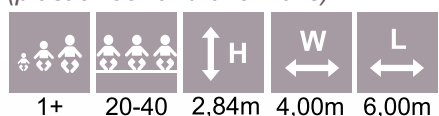
VP010 Shelter with wooden floor, 4x4,9m



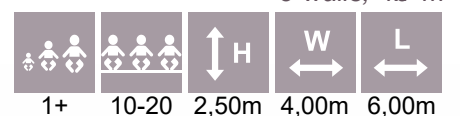
VP005 4x6 Shelter with wooden floor
(two walls and plastic roof)



VP006 4x6 Shelter
(plastic roof and two walls)

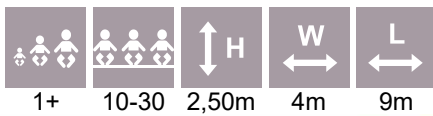


VP007 SHELTER
3 walls, 4x6 m



OUTDOOR FURNITURE

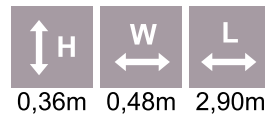
VP100 SHELTER 49 m



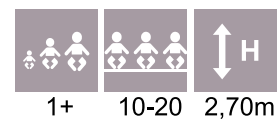
VP008 Storeroom



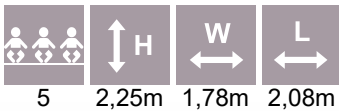
VP009 Storage box with lid



VLE001 Pavilion hexagonal (6 m2)



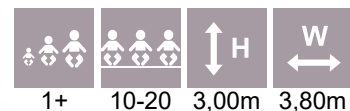
111127 Shelter for 5 bicycles



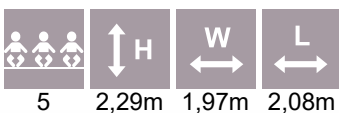
111128 Shelter for 10 bicycles



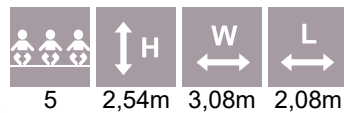
VLE004 Pavilion hexagonal 9,5 m2



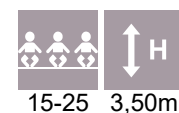
111231 Shelter for 5 bicycles



111132 Shelter for 10 bicycles



VLE005 Pavilion (14 m2)



OUTDOOR FURNITURE

IPPS02 Park benb SAUE



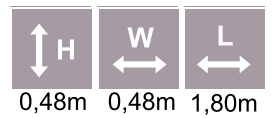
IPPS03 Table SAUE



IPPN01 Park benb HIIU



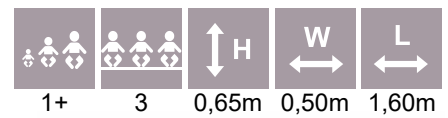
IPPS01 Park benb SAKU



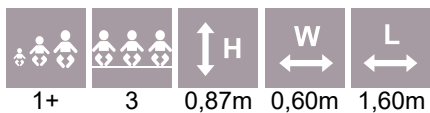
IPPT12 Park benb TISKRE



PP204 Park benb SAUGA



PP203 Park benb KIILI

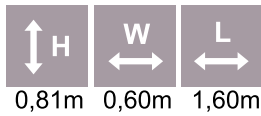


IPPK02 Park benb HARKU

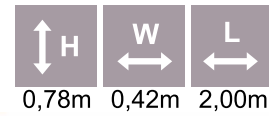


OUTDOOR FURNITURE

IPPT01 Park benb TARTU



HPI001 Rest railing



IPPK03 Swing benb LUIGE



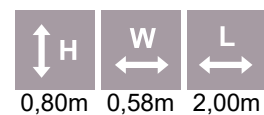
IPPB01 Park benb on o nc ete legs KERNU



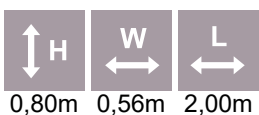
PP303 Park benb KEILA S+



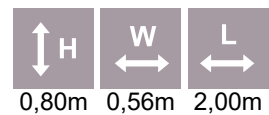
PP302 Park benb KEILA S



PPB403 Park benb on o nc ete legs KUNDA S+



PPB402 Park benb on o nc ete legs KUNDA S



OUTDOOR FURNITURE

IPPB02 Park bench on concrete legs KOSE



IPPB03 Park bench on concrete legs RAE



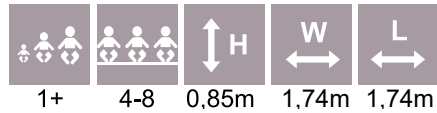
PP100 Park bench PLAZA



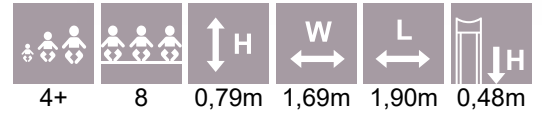
PP101 Park bench ROMANTICO



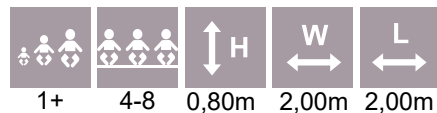
PP002 Picnic table RONDO



PP005 Picnic table large



PP007 Park Bench RUSTIC



CC01 Changing a bin



OUTDOOR FURNITURE

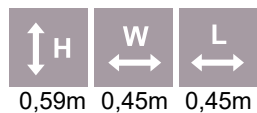


OUTDOOR FURNITURE

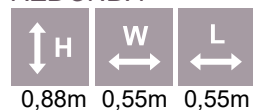
PKR001 Dustbin, 30 L



PKR007 Dustbin, 60 L



PA642 Litter bin
REDONDA



PKR200 Litter bin
ARCO, 85l



PKR003 Concete trash
bin with tin bucket, 20L



PKR004 Concete
trash bin with tin
bucket, 20L



PKB002 Concete trash
bin with cover, 30L

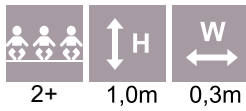


PKR014 Concete trash,
55L



OUTDOOR FURNITURE

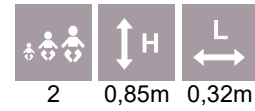
H 001 Bicyc e holder 2 plae s



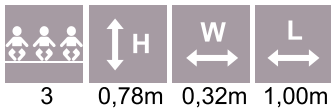
H 004 Bicyc e holder, 2 plae s



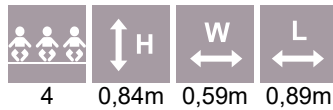
H 004-1 Bicyc e holder, 2 plae s



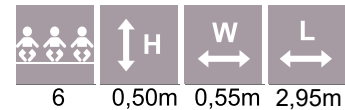
H 003 Bicyc e holder 3 plae s



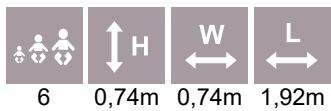
H 005 Bicyc e holder, 4 plae s



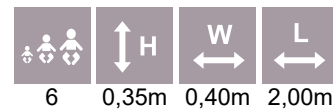
H 002 Bicyc e holder 6 plae s



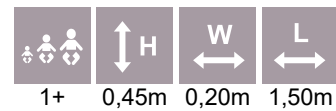
JH007 Bicycle holder, 6 places



H 006 Bicyc e holder, 6 plae s



JH100 Scooters holder 7 places



OUTDOOR FURNITURE

Rubber tiles

Colors: red, green, gray and black

RED / BLACK

FS – 100PM	Rubber tiles 100mm	Max fall height	<3000mm
FS – 90PM	Rubber tiles 90mm	Max fall height	<2500mm
FS – 80PM	Rubber tiles 80mm	Max fall height	<2400mm
FS – 70PM	Rubber tiles 70mm	Max fall height	<2200mm
FS – 60PM	Rubber tiles 60mm	Max fall height	<2000mm
FS – 50PM	Rubber tiles 50mm	Max fall height	<1600mm
FS – 45PM	Rubber tiles 45mm	Max fall height	<1500mm
FS – 40PM	Rubber tiles 40mm	Max fall height	<1350mm
FS – 30PM	Rubber tiles 30mm	Max fall height	<900mm
FS – 20PM	Rubber tiles 20mm	Max fall height	<700mm

GREEN / GRAY

FS – 100RH	Rubber tiles 100mm	Max fall height	<3000mm
FS – 90RH	Rubber tiles 90mm	Max fall height	<2500mm
FS – 80RH	Rubber tiles 80mm	Max fall height	<2400mm
FS – 70RH	Rubber tiles 70mm	Max fall height	<2200mm
FS – 60RH	Rubber tiles 60mm	Max fall height	<2000mm
FS – 50RH	Rubber tiles 50mm	Max fall height	<1600mm
FS – 45R	Rubber tiles 45mm	Max fall height	<1500mm
FS – 40RH	Rubber tiles 40mm	Max fall height	<1350mm
FS – 30RH	Rubber tiles 30mm	Max fall height	<900mm
FS – 20RH	Rubber tiles 20mm	Max fall height	<700mm



EPDM safety surfae



RM Rubber mulb



SKATEPARKS



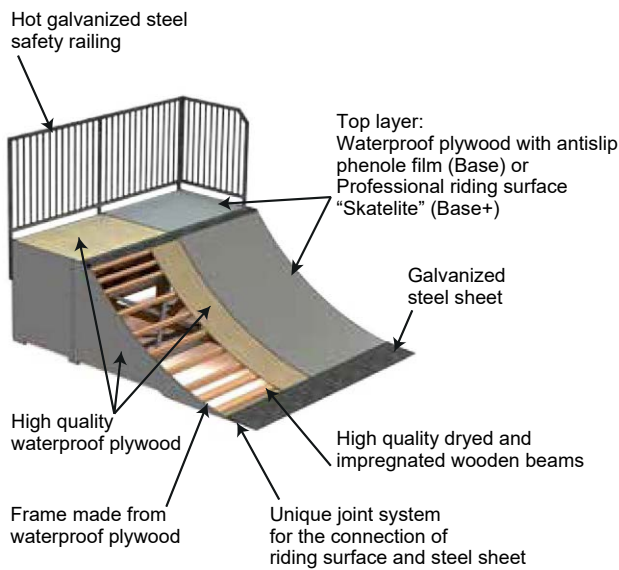
TIPTIPTAP SKATEPARKS

With over 10 years of experience and over 100 different solutions - Tiptiptap is the right choice for you! Our skate parks have been developed in partnership with professional riders who know how to challenge their BMX, skateboards, scooters, inliners and more. All our skate park elements have been manufactured in accordance with the European safety standards EN 14974:2006/A1:2010 and certified by TÜV SÜD GmbH.

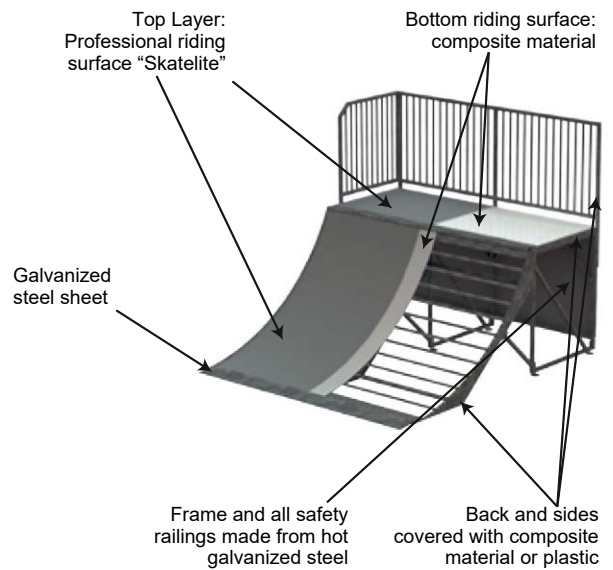
The product portfolio includes both steel and wooden frame elements, either with phenol coated waterproof plywood or "Skatelite" surface - all high quality and weather resistant. Our skateparks evolve in line with the requests and needs of our clients and we try to fulfil the wishes of even the most demanding customers. Creativity and flexibility are always a priority for us.

We are offering several types of base skatepark solutions:

Base/Base+



Steel series

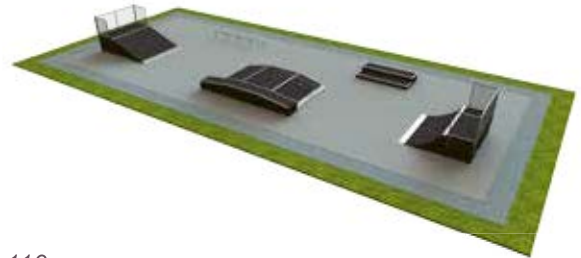


Best Sellers

Halfpipes



B 105



B 100



B 110



B 103



B 120



This is the perfect solution, if you wish to add structures to the existing park or design your own layout. Our separate structures are available in several configurations: Base, Base+ and Steel but custom made solutions are also possible. The constructions are designed to be placed on any flat surface like concrete or asphalt. If you can't find the desired ramp from the list, simply contact us to get it custom made.

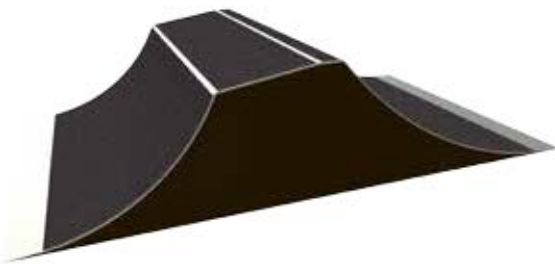
Quarterpipes



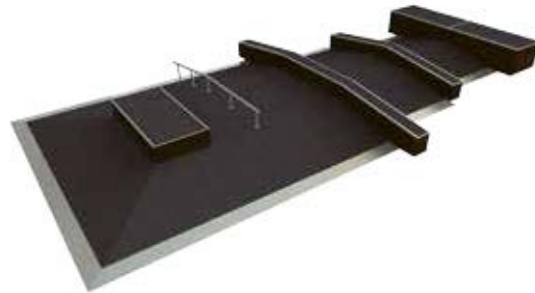
Banks



Flyboxes/Jump boxes



Funboxes



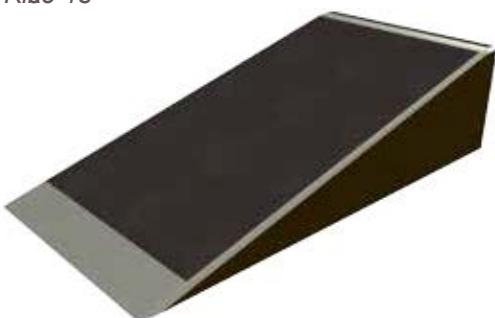
Pyramids



Slideboxes



Kickers



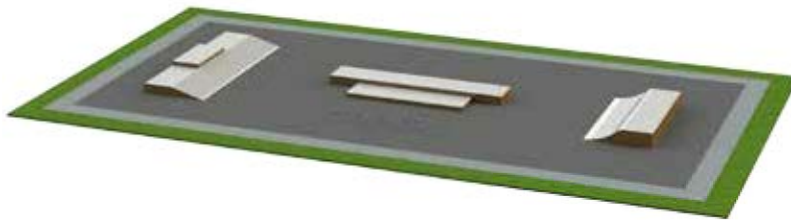
Slides



PLAZA SKATEPARKS

Plaza type skateparks is a new trend. They replicate elements of urban architecture and movables. These skateparks are focused on sliding and jumping, easy to use also by non-professionals. The elements are small but offer a lot of fun and can be used by different vehicles. Plaza series skateparks are made of high-quality waterproof plywood. Constructions are easy to assemble.

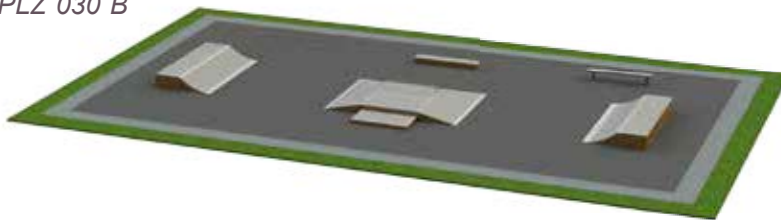
PLZ 010 B



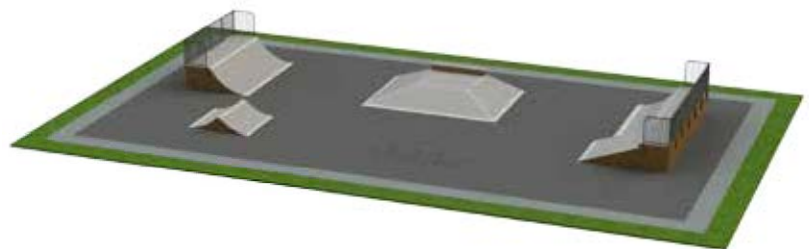
PLZ 020 B



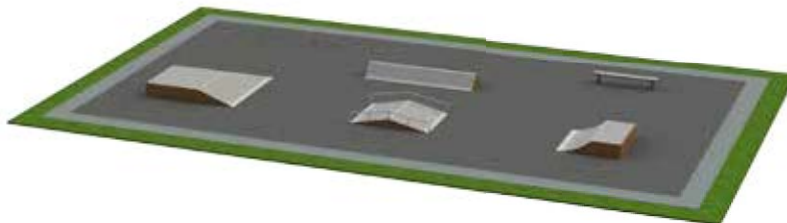
PLZ 030 B



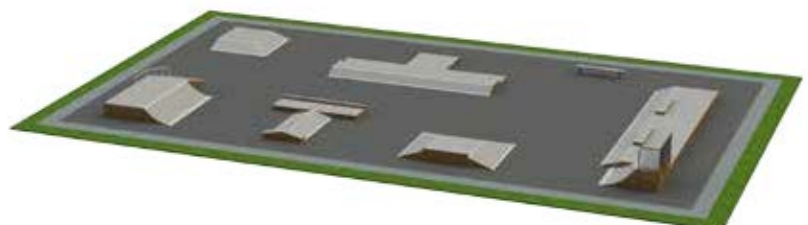
PLZ 040 B



PLZ 050 B



PLZ 060 B







Tiptap OÜ
Veetorni 9, Jüri alevik
Rae vald, 75301
Harjumaa, Estonia
Phone +372 657 6222
E-mail info@tiptap.ee
www.tiptap.ee

