

LEFT SIDE VIEW

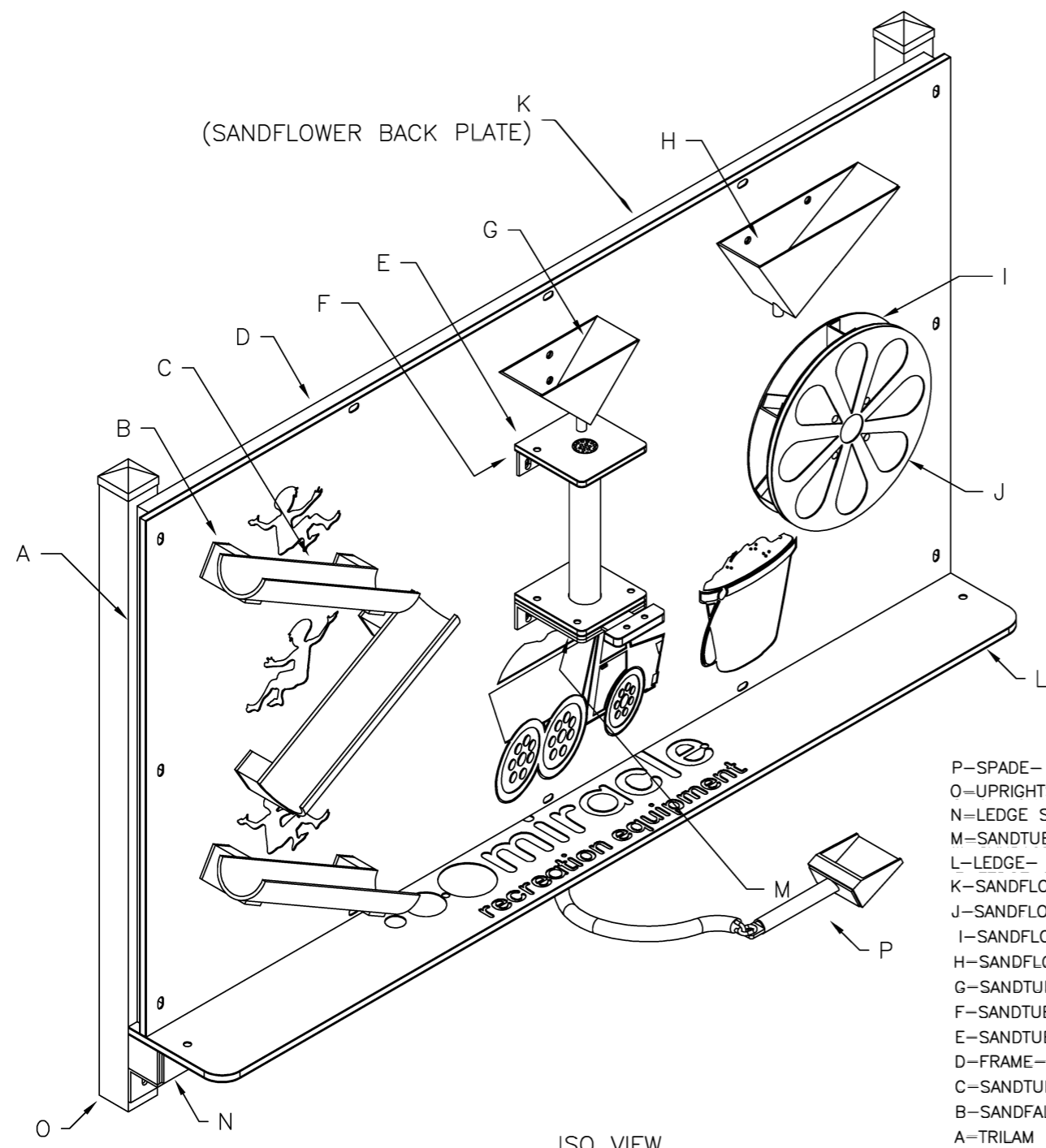
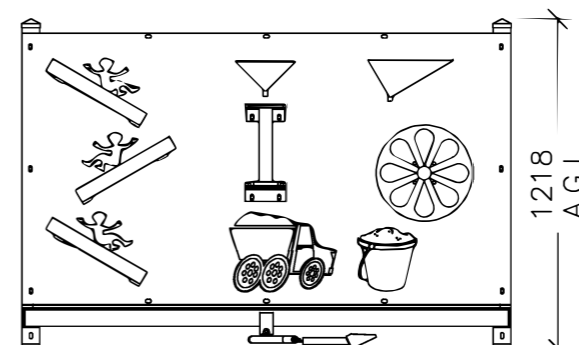
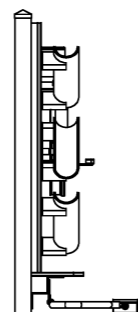


MADE IN AUSTRALIA

AUSTRALIAN OWNED

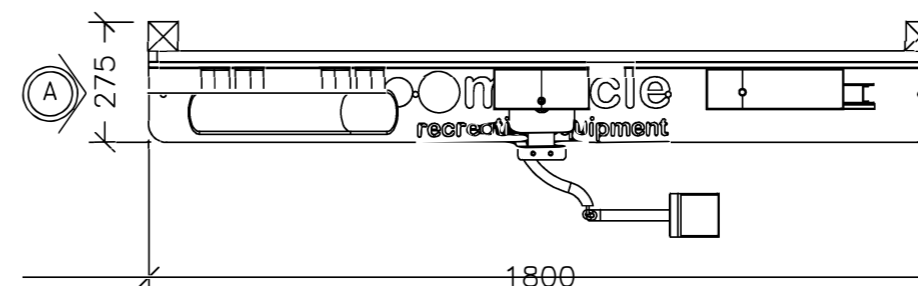


FRONT VIEW



ISO VIEW

- P-SPADE-
- O-UPRIGHTS-
- N-LEDGE SUPPORT-
- M-SANDTUBE SLIDE PLATE-
- L-LEDGE-
- K-SANDFLOWER BACK PLATE-
- J-SANDFLOWER TRILAM-
- I-SANDFLOWER WHEEL-
- H-SANDFLOWER HOPPER-
- G-SANDTUBE HOPPER-
- F-SANDTUBE BRACKET-
- E-SANDTUBE TRILAM-
- D-FRAME-
- C-SANDTUBES-
- B-SANDFALL BRACKETS-
- A-TRILAM BOARD-



PLAN VIEW



STANDARDS COMPLIANCE
GENERAL SAFETY REQUIREMENTS
AS 4685.1-2014

NOTES:

SOFTFALL MEASUREMENTS:	N/A
OVERALL EQUIPMENT SIZE:	0.3X1.8M
SOFTFALL PERIMETER:	N/A
SOFTFALL sqM AREA:	N/A

miracle
recreation equipment

ABN 59 948 279 569
PHONE: (08) 93090200
FAX: (08) 93090222

MADE IN AUSTRALIA
AUSTRALIAN OWNED

DWG No: FRE-314-2

DRN BY: MIKE B

DATE: 07.10.2015

SCALE: N.T.S.

PLAN VIEW
COMPONENT DETAILS

SANDBOARD ACTIVITY PANEL

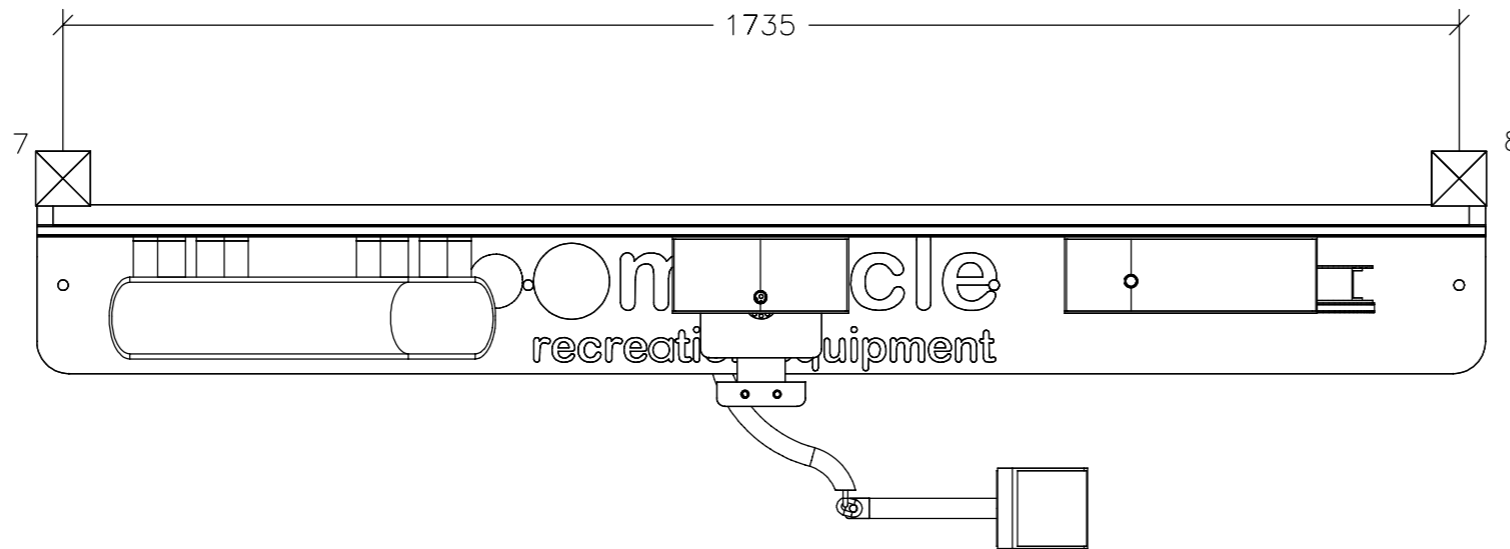
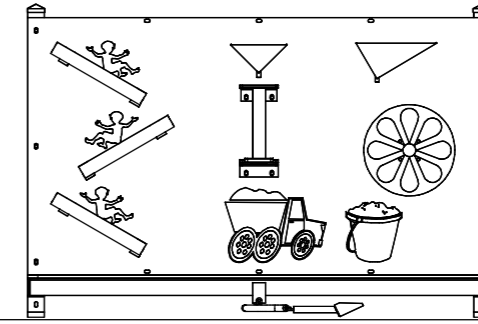
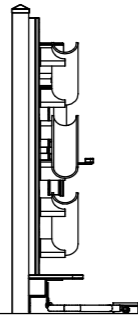
PLAYGROUND EQUIPMENT

LEFT SIDE VIEW

MADE IN AUSTRALIA

AUSTRALIAN OWNED

FRONT VIEW



x

UPRIGHT ORIENTATION:
-DIMENSIONS INDICATE
HOLES CENTERS
- 'X' = UPRIGHT NUMBER

NOTES:

LG/M	QTY
1.9	2
GROUND	TOTAL
SAND	2

SOFTFALL MEASUREMENTS: N/A
 OVERALL EQUIPMENT SIZE: 0.3X1.8M
 SOFTFALL PERIMETER: N/A

miracle
recreation equipment

ABN 98 418 126 812
 PHONE: (08) 93090200
 FAX: (08) 93090222

DWG No: FRE-314 -3
 DRN BY: MIKE B

DATE: 07.10.2015

SCALE: N.T.S.

PLAN VIEW
POST DETAILS

SANDBOARD ACTIVITY PANEL

PLAYGROUND EQUIPMENT